

Vitek

ИНСТРУКЦИЯ ПО ЭКСПЛУАТАЦИИ MANUAL INSTRUCTION

PORTABLE CD/MP3/CD-R/CD-RW PLAYER
ПОРТАТИВНЫЙ ПРОИГРЫВАТЕЛЬ КОМПАКТ-ДИСКОВ
ФОРМАТОВ CD/MP3/CD-R/CD-RW

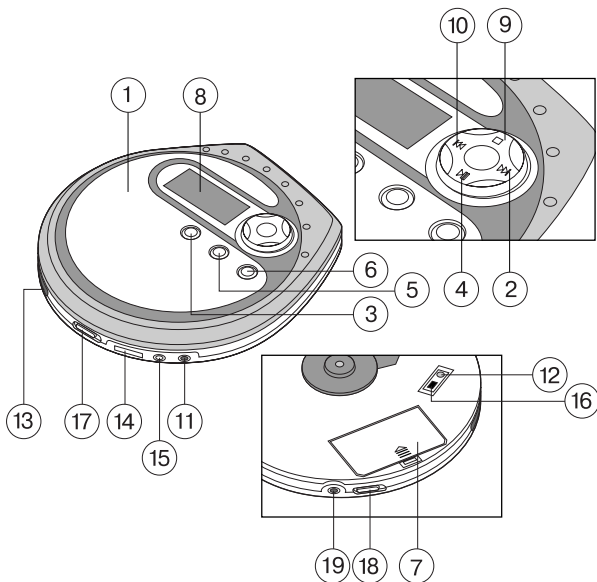


МОДЕЛЬ VT-3779

ENGLISH

PLEASE READ CAREFULLY BEFORE USING YOUR UNIT

FUNCTIONS AND CONTROLS



- | | |
|---------------------------------|-------------------------|
| 1. CD DOOR | 11. PHONES JACK |
| 2. FORWARD SKIP/SEARCH BUTTON | 12. CHARGE INDICATOR |
| 3. MODE BUTTON | 13. CD DOOR OPEN SWITCH |
| 4. PLAY/PAUSE BUTTON (POWER ON) | 14. VOLUME CONTROL |
| 5. ASP/DIR NEXT BUTTON | 15. LINE OUTPUT |
| 6. PROGRAM BUTTON | 16. CHARGE SWITCH |
| 7. BATTERY DOOR | 17. BASS BOOST SWITCH |
| 8. LCD DISPLAY | 18. HOLD SWITCH |
| 9. STOP BUTTON (POWER OFF) | 19. DC INPUT JACK |
| 10. BACKWARD SKIP/SEARCH BUTTON | |

ENGLISH

POWER SUPPLY

Use with regular batteries (not included)

1. Open the battery compartment door, located in the inside of the unit, by sliding the door and lift it up. (Do not remove the battery door).
2. Insert 2 x 1.5V /UM-3/AA size alkaline batteries, following the correct polarity, as indicated in the battery compartment.
3. Close the battery compartment door.

Note: If the symbol "■" appears in the display, batteries are weak and ought to be replaced.

Use with AC/DC adaptor

1. Insert the DC plug, at the end of the AC/DC adaptor cord, into the DC 4.5 V INPUT socket (19) located on the side of the unit.
2. Connect the AC/DC adaptor into a 230V ~ 50Hz AC power outlet.

Notes:

- *If the AC adaptor is connected when regular batteries are installed, the power supply automatically switches to the AC power source.*
- *Use only the supplied AC/DC adaptor. Using other types of adaptor may damage the unit.*
- *Make sure that the AC/DC adaptor matches with your household voltage before connecting it into the wall outlet.*
- *When not using AC power, disconnect the AC/DC adaptor from the wall outlet.*
- *Do not touch the AC/DC adaptor with wet hands.*

Use rechargeable batteries (not included)

1. Disconnect the AC/DC adaptor from the wall outlet if it is being connected to the unit.
2. Open the battery compartment door as mentioned previously.
3. Insert 2 recommended rechargeable batteries, following the correct polarity as indicated in the battery compartment.
4. Close the battery compartment door.
5. Move the CHARGE SWITCH (16) to ON to start recharging function. The red CHARGE indicator (12) will light up.
6. After 15 hours of charging set the CHARGE SWITCH (16) to OFF.

ENGLISH

Cautions:

- DO NOT mix the rechargeable (Nickel-Cadmium) and regular (Carbon-zinc) batteries.
- DO NOT charge continuously for 24 hours or more, otherwise it will deteriorate the performance of the rechargeable batteries.
- DO NOT try to recharge normal (not rechargeable) batteries. They can explode!

Notes:

- *If the rechargeable batteries are being charged for the first time, it will take approximately 15 hours to be fully charged.*
- *If the operating time decreases drastically even when the rechargeable batteries are properly recharged, purchase a new set of rechargeable batteries.*

CONNECTIONS

External Audio System

Connect the stereo connection cable (not included) into the LINE OUT jack (15) of the unit and the CD/AUX of your audio system. (Do not connect it to the amplifier phono jack.) Note: Always switch off the power before making any connections between the CD player and other audio system.

- If the CD player interference with the TV or radio reception, move the CD player away from TV set or radio receiver.

EARPHONES

Connect the stereo earphones (included) to the Phones jack (11).

CD/MP3 PLAYBACK

1. Connect the earphones (included) or optional headphones into the Phones jack.
2. Press the Door Open button (13) to open the CD compartment door.
3. Insert a disc with the label side facing up.
4. Close the CD compartment door until a click is heard.
5. Set the VOLUME control (14) to minimum.
6. Press the PLAY/PAUSE (▶||) button (4), the unit power will turn on automatically and show "READING" and start playback.

ENGLISH

IN CASE OF CD DISC

The total number of tracks and total playing time appear on the display. Press Play to start Playback.

During playback, the actual track and the elapsed time appear.

IN CASE OF MP3 DISC

The total number of albums and tracks appear on the display. The informations of the file will be shown on the display.

CD + MP3

7. Adjust the VOLUME control to your desired listening level.
8. To stop playback temporarily, press the PLAY/PAUSE (▶||) button (4) once. The elapsed time and track number will flash on the display. Press the PLAY/PAUSE (▶||) button again to resume playback.
9. To stop playback, press the STOP (9) button once.
10. To turn the unit off, press the STOP (9) twice.

Notes:

- When the CD door is accidentally opened during playback, "OPEN" will appear on the display.
- Wait until the disc is fully stopped before pressing the OPEN (13) button.
- This unit can play 3" (8cm) single CDs without an adaptor.

LOCATING A PARTICULAR TRACK OR POINT OF THE TRACK IN CD

1. Press the BACKWARD (◀◀) button once to go back to the beginning of the current track.
2. Press the BACKWARD (◀◀) button repeatedly to go back to previous tracks.
3. Press the FORWARD (▶▶) button repeatedly to go to next tracks.
4. Press and hold either FORWARD (▶▶) or BACKWARD (◀◀) button to search backwards or forwards, at high speed, a particular point of track.

Note: Low level audio will be heard during the search process to assist in locating the correct point in the track.

IN MP3

1. Press the BACKWARD (◀◀) button once to go back to the beginning of the current track.
2. Press the BACKWARD (◀◀) button repeatedly to go back to previous

ENGLISH

tracks.

3. Press the FORWARD (**▶**) button repeatedly to go to next tracks.

REPEAT PLAYBACK

In CD

1. Press the PLAY/PAUSE button (4) the CD will start playback of the track.
2. To repeat the same track, press the MODE button once. The following will appear on the display: " **↺** ". The track will be repeated. The CD will start single repeat playback until STOP button (9) is pressed. Press the MODE button 4 times more to cancel single repeat. The indicator " **↺** " disappears from the display.
3. To repeat the entire disc, press the MODE button twice. The following will appear on the display: " **↺ ALL** ", all the tracks on the CD will be repeated. Press the MODE button 3 times more to cancel all disc repeat. The indicator " **↺ ALL** " disappears from the display.

In MP3

1. Press the PLAY/PAUSE button (4) the CD will start playback of the track.
2. To repeat the same track, press the MODE button. The following will appear on the display: " **↺** " The track will be repeated until STOP button (9) is pressed. Press the MODE button 5 times to cancel single repeat. The " **↺** " indicator disappears from the display.
3. To repeat the entire ALBUM, press the MODE button twice. The following will appear on the display: " **↺ ALBUM** ", all the tracks on the album will be repeated. Press the MODE button 4 times to cancel all Album repeat. The " **↺ ALBUM** " indicator disappears from the display.
4. To repeat the entire MP3 disc, press the MODE button three times. The following will appear on the display: " **↺ ALL** ", all the tracks of all the albums on the disc will be repeated. Press the MODE button 3 times to cancel all disc repeat. The " **↺ ALL** " indicator disappears from the display.

INTRO PLAY

In CD

1. Press the STOP button (9).
2. Press the MODE button three times to enter the Intro mode, 'INT' appears on the display.
3. Press the PLAY/PAUSE button, CD will play the first 10 seconds of each

ENGLISH

track on the CD.

4. Press MODE button twice more to cancel Intro playback and resume normal playback.

In MP3

1. Press the STOP button (9).
2. Press the MODE button four times to enter the Intro mode, 'INT' appears on the display.
3. Press the PLAY/PAUSE button, CD will play the first 10 seconds of each track of each album on the CD.
4. Press MODE button twice to cancel Intro playback and resume normal playback.

RANDOM PLAY

In CD

1. Press the STOP button (9).
2. Press the MODE button 4 times to enter the Random mode. "RDM" appears on the display, then press PLAY/PAUSE button (4) to start playback in Random order.
3. Press SKIP Forward button (2) to go to next Random track.
4. Press the MODE button once to return to the Normal Playback mode.

In MP3

1. Press the STOP button (9).
2. Press the MODE button 5 times to enter the Random mode. "RDM" appears on the display, then press PLAY/PAUSE button (4) to start playback of all tracks of all albums in Random order.
3. Press SKIP \blacktriangleright button (2) to go to next Random track.

PROGRAMMED PLAYBACK

In CD

1. Press the PLAY/PAUSE button (4) and after 5 seconds the STOP button (9).
2. Press the PROGRAM button (6). The track number will appear and "PGM" will appear on the display indicating the first selection.

00 P-01

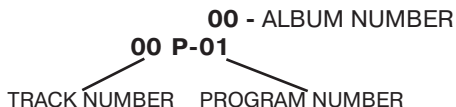
TRACK NUMBER PROGRAM NUMBER

ENGLISH

3. Press BACKWARD (⏮) or FORWARD (⏭) button to select the desired track to be programmed. The track number which will be programmed will appears on the display.
 4. Press once the PROGRAM button (6) to enter the track into memory.
 5. Repeat the steps 3 and 4 to program up to 64 tracks.
 6. Press PLAY/PAUSE (⏩) button (4) once to start programmed playback.
 7. To cancel programmed playback, press the STOP button (9) twice.
- Note: During program playback, if you wish to repeat the entire programmed playback, press the MODE button repeatedly until the " C⇨ ALL " indicator appears on the display.*

In MP3

1. Press the PLAY/PAUSE button (4) and after 8 seconds the STOP button (9).
2. Press the PROGRAM button (6) once. The Album number will appear on the display indicating the first selection.



3. Press BACKWARD (⏮) or FORWARD (⏭) button to select the desired Album to be programmed. Album number will appear on the display. Press the program button the track number will flash.
4. Press BACKWARD (⏮) or FORWARD (⏭) button to select the desired track to be programmed. Track No. will appear on the display.
5. Press once more the PROGRAM button (6) to enter the album number and the track into memory.
6. Repeat the steps 2 to 5 to program up to 64 tracks.
7. Press PLAY/PAUSE (⏩) button (4) once to start programmed playback.
8. To cancel programmed playback, press the STOP button (9) twice.

SEARCHING SONG BY NAME

Direct Search by Character

- Push "ASP/DIR NEXT" button, "A" indication is appears in display and "🔍" is blinking, means search mode is activated.
- With "SKIP ⏭ / ⏮" you can select the character which you want.
- When you have selected the first character of the song, then push "SKIP ⏭" longer than 2 seconds the character is fixed, and first song which has

ENGLISH

same character will displayed.

- With "SKIP ►► / ◀◀" you can select the song you want.
- Push PLAY/PAUSE ►|| then the song will play.

Directory (album) Search

- Push "ASP/DIR NEXT" button twice. Then " 01" will be displayed in the display.
- With "►► / ◀◀" key, select Album number you want.
- Push "►►" button longer than 2 seconds then the album is fixed and the name of song is displayed.
- With "►► / ◀◀" key, select the song you want.
- Push "PLAY/PAUSE ►||" key, the song you selected will start.

SPECIAL FUNCTIONS

Dynamic Bass Boost

Set the BASS BOOST switch (17) to "ON" position to enjoy a more powerful Bass sound.

Note: Since Bass Boost performance will change depending on the volume level, sound maybe distorted due to high volume is set. Lower the volume until the sound quality is improved.

Display mode change (MP3)

When MP3 song is played, the song title and the file name are displayed. When push "MODE" button longer than 2 seconds, the display is changed to numerical showing of Album number file number and running time. When push "MODE" button long than 2 seconds again, then return to character display.

Auto Power Off

When the STOP button is pressed once (standby mode) after 60 seconds, the Auto Power Off function will activated and turn the unit off automatically. If the STOP button is pressed twice the unit will turn off.

Anti-shock Function

- If in use, the player is likely to receive shocks or vibrations (i.e. whilst walking or in a moving vehicle), The ANTI-SHOCK function is active to provide uninterrupted playback when power on.
- As soon as the PLAY/PAUSE button is pressed, "ASP" will flash on the display and the function is initialised. When "ASP" stops flashing, the memory buffer is full.
- Should the player receive shocks for more than 45 seconds continuously in CD playback or 120 seconds in MP3 playback, the sound can mute for a

ENGLISH

very short while and will resume once the player has stabilised from the shock.

- To disable ANTI-SHOCK Function, press ASP button (5) once.

Notes:

- *When using the Anti-shock function, the disc will rotate faster than normal playback and memory is active. Only use the ANTI-SHOCK function when necessary to preserve the battery life.*
- *The Anti-shock function will not correct the errors arising from the use of defective scratched or dirty discs.*
- *IMPORTANT! During MP3 playback, the ANTI-SHOCK function is always ON and this function can not be deactivated.*

HOLD switch (18)

This unit is equipped with a HOLD switch to disable the operating controls. Select HOLD switch (18) to "ON".

MAINTENANCE

Cleaning the unit

Wipe the outside surface of the unit with a soft cloth moistened with water and mild soap.

Handling CDs

Your CD player has been especially designed for the reproduction of compact discs bearing the CD mark. No other discs should be loaded into the player. Always place the disc in tray with the label facing up.

Although compact discs are impervious to wear during play, damage to the surface of a disc through improper handling will result in playback irregularities. To preserve your compact discs, please handle them with care.

Although minute dust particles and fingerprints should have no effect on playback, you should keep the surface of the recorded side of your discs clean by wiping the disc with a clean, dry, lint-free soft cloth with straight movements from the centre outwards. Never use record cleaners, record sprays, antistatic sprays, liquids nor chemical based liquids to clean the surface of a disc. They may in fact irreparably damage the disc's plastic surface. Always return the disc to its protective plastic case when not using it. Avoid exposing discs to direct sunlight, excessive temperatures or high humidity for extended periods of time. Do not write on the label side of the disc with a ball/point pen as this may scratch the disc

ENGLISH

TROUBLE SHOOTING GUIDE

SYMPTOM	CAUSE	SOLUTION
CD Player will not turn on.	Dead or weak batteries.	Replace both batteries.
	The AC adaptor not connected properly.	Check the AC adaptor connection at AC outlet and side of set.
Disc will not play.	Disc inserted incorrectly	Re-insert disc with label side facing up.
	Defective or wrong type compact disc.	Try another audio compact disc.
	CD door not closed.	Close lid securely (push down left corner of door)
	Moisture has condensed inside the CD deck.	Take out the CD and leave the CD door open for about an hour to dry the moisture condensation.
No sound from headphones/ Earphones	Headphone/Earphone plug not inserted properly.	Re-insert headphone/Earphone plug into the headphone jack (marked phones).
	Headphone/Earphone plugged into the line out jack.	Plug headphone/Earphone into the headphone jack (not the line out jack).
	The volume control set to minimum	Increase the volume.
	Weak batteries.	Replace with fresh batteries or use the AC adaptor.
	Defective compact disc.	Try another compact disc.
Sound is skipping	The compact disc or lens is dirty.	Clean or replace the compact disc or clean the lens with a camera brush or blower.
	Too much movement of the CD player.	Reduce movement of CD player.
Sound is distorted	Music is too loud.	Decrease the volume control level.
	Weak batteries.	Batteries are getting weak, replace both batteries or use the AC adaptor.
	Bass boost is on and music is too loud.	Lower volume control or slide bass boost switch to off.
Tracks do not change or set does not play normally	Batteries are too weak and the battery symbol will show in display	Replace both batteries with fresh alkaline batteries, or use a AC Adaptor.
Buttons do not work	Electronic or static error caused circuitry to lock.	Remove batteries and AC adaptor. Wait a few seconds and re-insert. Make sure batteries are fresh or adaptor has power.
	The HOLD function is on.	Slide the HOLD switch to OFF position.

ENGLISH

SPECIFICATIONS

Audio

CD Compatibility	CD/DA - CDR - CDRW - MP3
D/A conversion	1 -bit DAC , 4 times oversampling
Frequency response	20-20,000Hz
Anti-shock	45 seconds CD/ 120 seconds MP3 memory
Wow and flutter	Below measurable limits
No. of channels	2 channels (stereo)
Output level	Line output: 0.6V rms (47KOhm)
Headphone:	20mW (32Ohm)
Bass Boost effect (100Hz)	+ 6 dB

MP3

MPEG Rate	32-384Kbps
Sampling Frequency advised	128Kbps at 44.1KHz
MP3 Playback	ISO9660 format compatible
Check the CD burner/recorder's documentation to see if it complies with these specifications.	

General

Power requirements	2 x LR6 / UM-3 / "AA" alkaline battery (not included) AC/DC adaptor - 4.5V
Power consumption	0.8W (DC 3V)
Dimension	Approx. 127 (W) x 139mm (D) X 26mm (H)
Weight (without batteries)	203 g.

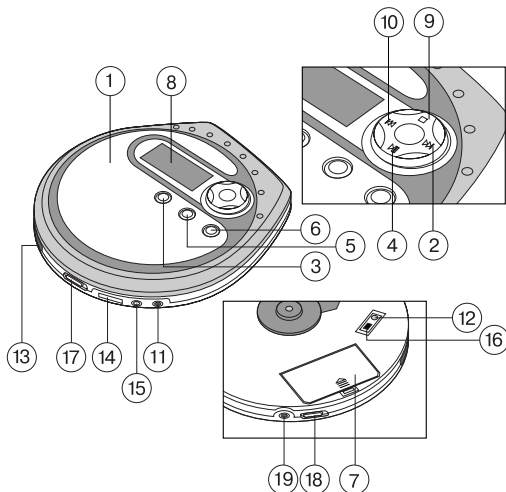
THE MANUFACTURER RESERVES THE RIGHT TO CHANGE THE CHARACTERISTICS OF THE DEVICE WITHOUT PRIOR WARNING

SERVICE LIFE OF THE UNIT NOT LESS 5 YEARS

РУССКИЙ

Перед использованием устройства внимательно прочитайте рекомендации инструкции по эксплуатации.

ОРГАНЫ УПРАВЛЕНИЯ




- | | |
|---|---|
| 1. Отсек для компакт-диска | 11. Гнездо для подключения наушников |
| 2. Кнопка перехода/поиска вперед ("SKIP +/ ►►") | 12. Индикатор зарядного устройства |
| 3. Кнопка режима работы ("MODE") | 13. Кнопка для открытия дверцы отсека компакт-диска ("OPEN") |
| 4. Кнопка воспроизведение/пауза/включение ("PLAY/PAUSE") | 14. Регулятор громкости ("VOLUME") |
| 5. Кнопка включения функции Антишок/переход по директориям ("ASP/DIR NEXT") | 15. Разъем выхода линейного сигнала ("LINE OUT") |
| 6. Кнопка программирования ("PROG") | 16. Переключатель зарядного устройства ("CHARGE") |
| 7. Отсек для батарей | 17. Переключатель усиления низких частот ("BASS BOOST") |
| 8. Жидкокристаллический дисплей | 18. Кнопка блокировки клавиш управления ("HOLD") |
| 9. Кнопка остановки воспроизведения/отключение ("OFF/STOP") | 19. Разъем для подключения адаптера сети постоянного тока ("DC 4,5V") |
| 10. Кнопка перехода/поиска назад ("SKIP -/ ◀◀") | |

РУССКИЙ

ПИТАНИЕ

Питание от стандартных батарей (не прилагаются)

1. Чтобы открыть дверцу отсека для батарей, расположенного внутри корпуса устройства, потяните ее и приподнимите (не снимайте дверцу отсека для батарей).
2. Установите две щелочные батареи типа 1,5В/UM-3/AA, соблюдая полярность в соответствии с обозначениями на устройстве.
3. Закройте дверцу отсека для батарей.

Примечание: Если на дисплее появится надпись "  ", это означает, что батареи старые и их необходимо заменить.

Питание от электросети посредством адаптера AC/DC

1. Вставьте штекер постоянного тока, расположенного на конце адаптера AC/DC, в гнездо входа (4,5 В) (19), которое находится на боковой поверхности устройства.
2. Подключите адаптер AC/DC к розетке сети переменного тока 230 В ~ 50 Гц.

Примечания:

- Если во время подключения сетевого адаптера в устройстве установлены стандартные батареи, устройство автоматически переключается в режим питания от источника переменного тока.
- Используйте только прилагаемый к устройству адаптер AC/DC. Использование адаптеров других типов может привести к повреждению устройства.
- Перед подключением адаптера AC/DC к розетке удостоверьтесь в том, что напряжение Вашей электросети соответствует требуемому.
- Если устройство получает питание от другого источника, отключите адаптер AC/DC от розетки.
- Не прикасайтесь к адаптеру AC/DC влажными руками.

Питание от аккумуляторов (не прилагаются)

1. Отсоедините адаптер AC/DC от розетки, если он подключен к устройству.
2. Откройте дверцу отсека для батарей, следуя вышеизложенным рекомендациям.
3. Вставьте два рекомендованных аккумулятора, соблюдая полярность в соответствии с обозначениями на устройстве.
4. Закройте дверцу отсека для батарей.

Зарядка аккумуляторов

1. Установите переключатель зарядного устройства (16) в положение ON и подключите адаптер к сети, чтобы начать зарядку. При этом загорится красный индикатор зарядного устройства (12), показывающий, что аккумуляторы заряжаются.
2. После 15-часовой перезарядки установите переключатель зарядного устройства (16) в положение OFF.

РУССКИЙ

Меры предосторожности:

- НЕ ИСПОЛЬЗУЙТЕ никелево-кадмиевый аккумулятор совместно со стандартной батареей (угольно-цинковой).
- НЕ ЗАРЯЖАЙТЕ аккумуляторы без перерыва 24 и более часов, так как это может отрицательно повлиять на работу аккумуляторов.
- НЕ ПЫТАЙТЕСЬ заряжать обычные (не перезаряжаемые) батареи. Может произойти взрыв!

Примечания:

- Если аккумуляторы заряжаются в первый раз, для их полной перезарядки необходимо около 15 часов.
- Если аккумуляторы перезаряжаются должным образом, но при этом время работы устройства сокращается, приобретите новый комплект аккумуляторов.

ПОДКЛЮЧЕНИЕ

Подключение устройства к аудио-системе

Соедините с помощью кабеля (не прилагается) разъем линейного выхода (15) на устройстве с входом CD/AUX на аудио-системе. (не подсоединяйте устройство к выходу усилителя на наушник).

Примечание:

- Перед подключением плеера к другим устройствам всегда отключайте питание.
- Если при работе плеера возникают помехи из-за того, что рядом находится телевизор или радиоприемник, переместите плеер подальше от телевизора или радиоприемника.

Подключение наушников

Подсоедините стерео наушники (прилагаются) к гнезду для подключения наушников (11).

ВОСПРОИЗВЕДЕНИЕ ДИСКОВ В ФОРМАТАХ CD и MP3

1. Подсоедините прилагаемые или другие наушники к гнезду для подключения наушников.
2. Нажмите кнопку (13) для открытия дверцы отсека компакт-диска.
3. Вставьте компакт-диск декоративной стороной вверх.
4. Закройте дверцу отсека компакт-диска до щелчка.
5. Установите регулятор громкости (14) на минимум.
6. Нажмите кнопку PLAY/PAUSE (▶||) (4), при этом устройство автоматически включится, на дисплее отобразится надпись "READING" (Считывание) и начнется воспроизведение диска.

Для дисков формата CD

Общее количество композиций и время воспроизведения отображается на дисплее. Чтобы начать воспроизведение, нажмите кнопку PLAY.

РУССКИЙ

Во время проигрывания диска на дисплее отображается номер композиции и истекшее время воспроизведения.

Для дисков формата MP3

На дисплее отображается общее количество альбомов и композиций, а также информация о воспроизводимом треке.

CD+MP3

7. С помощью регулятора установите желаемый уровень громкости.
8. Нажмите кнопку PLAY/PAUSE (**▶||**) (4) один раз, чтобы прервать воспроизведение диска. При этом номер композиции и истекшее время воспроизведения замигают на дисплее. Для возобновления воспроизведения снова нажмите кнопку PLAY/PAUSE (**▶||**).
9. Для остановки воспроизведения нажмите кнопку STOP (9) один раз.
10. Нажмите кнопку STOP (9) дважды, чтобы выключить устройство.

Примечания:

- Если во время воспроизведения дверца отсека компакт-диска случайно откроется, на дисплее появится надпись "OPEN".
- Подождите, пока вращение диска полностью прекратится, прежде чем нажимать кнопку OPEN (13) для открытия дверцы отсека компакт-диска.
- Устройство может воспроизводить 3-дюймовые (8-сантиметровые) диски без использования переходного устройства.

ПОИСК ОПРЕДЕЛЕННОЙ КОМПОЗИЦИИ ИЛИ ЧАСТИ КОМПОЗИЦИИ

1. Для перехода к началу текущей композиции нажмите кнопку "SKIP -/ **⏮**" один раз.
2. Для перехода к предыдущим композициям нажмите кнопку "SKIP -/ **⏮**" несколько раз.
3. Для перехода вперед к следующим композициям нажмите кнопку "SKIP +/ **⏭**" несколько раз.
4. Нажмите и удерживайте кнопку "SKIP -/ **⏮**" или "SKIP +/ **⏭**" для быстрого поиска и перехода к определенному месту в композиции.

Примечание: Для облегчения поиска нужного места композиции Вы сможете слышать воспроизведение музыки на низком уровне громкости.

Для дисков формата MP3

1. Для перехода к началу текущей композиции нажмите кнопку "SKIP - / **⏮**" один раз.
2. Для перехода к предыдущим композициям нажмите кнопку "SKIP -/ **⏮**" несколько раз.

РУССКИЙ

3. Для перехода вперед к следующим композициям нажмите кнопку "SKIP +/ ►►" несколько раз.

ПОВТОРНОЕ ВОСПРОИЗВЕДЕНИЕ КОМПОЗИЦИИ ИЛИ ВСЕГО ДИСКА ФОРМАТА CD

1. Нажмите кнопку PLAY/PAUSE (4), чтобы начать воспроизведение композиции.
2. Для повтора композиции нажмите кнопку MODE один раз. На дисплее отобразится надпись "↻" и начнется повторное воспроизведение композиции. Для остановки воспроизведения нажмите кнопку STOP (9). Для отмены повтора композиции нажмите кнопку MODE 4 раза. При этом надпись "↻" на дисплее исчезнет.
3. Для повторного воспроизведения всего диска нажмите кнопку MODE дважды. На дисплее отобразится надпись "↻ ALL" и все композиции диска будут воспроизведены повторно. Чтобы отменить режим повтора воспроизведения всего диска, нажмите кнопку MODE 3 раза. Надпись "↻ ALL" на дисплее исчезнет.

Для дисков формата MP3

1. Нажмите кнопку PLAY/PAUSE (4), чтобы начать воспроизведение композиции.
2. Для повтора композиции нажмите кнопку MODE. На дисплее отобразится надпись "↻" и начнется повторное воспроизведение композиции. Для остановки воспроизведения нажмите кнопку STOP (9). Для отмены повтора композиции нажмите кнопку MODE 5 раз. При этом надпись "↻" на дисплее исчезнет.
3. Для повтора всего альбома нажмите кнопку MODE дважды. На дисплее отобразится надпись "↻ ALBUM" и все композиции альбома будут воспроизведены повторно. Чтобы отменить режим повтора воспроизведения всего альбома, нажмите кнопку MODE 4 раза. Надпись "↻ ALBUM" на дисплее исчезнет.
4. Для повтора воспроизведения всего диска формата MP3 нажмите кнопку MODE 3 раза. На дисплее отобразится надпись "↻ ALL" и все композиции всех альбомов будут воспроизведены повторно. Чтобы отменить режим повтора воспроизведения всего диска, нажмите кнопку MODE 3 раза. Надпись "↻ ALL" на дисплее исчезнет.

ВОСПРОИЗВЕДЕНИЕ В РЕЖИМЕ ОЗНАКОМЛЕНИЯ

Для дисков формата CD

1. Нажмите кнопку STOP (9).
2. Нажмите кнопку MODE три раза, чтобы установить режим ознакомления. На дисплее появится надпись "INT".

РУССКИЙ

3. Нажмите кнопку PLAY/PAUSE. Каждая композиция диска будет проигрываться в течение 10 секунд.
4. Нажмите кнопку MODE дважды, чтобы отменить режим ознакомления и вернуться к обычному режиму.

Для дисков формата MP3

1. Нажмите кнопку STOP (9).
2. Нажмите кнопку MODE четыре раза, чтобы установить режим ознакомления. На дисплее появится надпись "INT".
3. Нажмите кнопку PLAY/PAUSE. Каждая композиция каждого альбома диска будет проигрываться в течение 10 секунд.
4. Нажмите кнопку MODE дважды, чтобы отменить режим ознакомления и вернуться к обычному режиму.

ВОСПРОИЗВЕДЕНИЕ КОМПОЗИЦИЙ В ПРОИЗВОЛЬНОМ ПОРЯДКЕ

Для дисков формата CD

1. Нажмите кнопку STOP (9).
2. Нажмите кнопку MODE 4 раза для установки режима воспроизведения в произвольном порядке. При этом на дисплее появится надпись "RDM". Нажмите кнопку PLAY/PAUSE (4) и композиции компакт-диска будут проигрываться в произвольном порядке.
3. Для перехода к следующей произвольной композиции нажмите кнопку SKIP +/ ► (2).
4. Нажмите кнопку MODE один раз, чтобы вернуться к обычному режиму воспроизведения.

Для дисков формата MP3

1. Нажмите кнопку STOP (9).
2. Нажмите кнопку MODE 5 раз для установки режима воспроизведения в произвольном порядке. При этом на дисплее появится надпись "RDM". Нажмите кнопку PLAY/PAUSE (4) и все композиции всех альбомов диска будут проигрываться в произвольном порядке.
3. Для перехода к следующей произвольной композиции нажмите кнопку SKIP +/ ► (2).

ПРОГРАММИРОВАНИЕ КОМПОЗИЦИЙ

Для дисков формата CD

1. Нажмите кнопку PLAY/PAUSE (4), а затем, по истечении 5 секунд, кнопку STOP (9).
2. Нажмите кнопку PROG (6). При этом на дисплее будет отображаться номер композиции и надпись "PGM".
3. С помощью кнопок "SKIP -/ ◀" или "SKIP +/ ►" выберите композицию,

РУССКИЙ

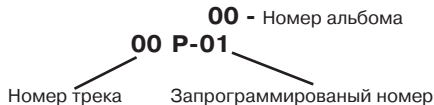
которую вы хотите запрограммировать. На дисплее отобразится номер композиции, которая будет запрограммирована.

4. Для внесения композиции в память нажмите кнопку PROG (6).
5. Вы можете запрограммировать до 64 композиций. Для продолжения программирования повторите действия 3 и 4.
6. Для воспроизведения запрограммированных композиций нажмите кнопку PLAY/PAUSE (▶||) (4) один раз.
7. Для отмены запрограммированного воспроизведения нажмите кнопку STOP (9) дважды.

Примечание: Если во время запрограммированного воспроизведения вы хотите повторить все запрограммированные композиции, последовательно нажимайте кнопку MODE до тех пор, пока на дисплее не появится надпись "C↵ ALL".

Для дисков формата MP3

1. Нажмите кнопку PLAY/PAUSE (4), а затем, по истечении 8 секунд, кнопку STOP (9).
2. Нажмите кнопку PROG (6) один раз. При этом на дисплее будет отображаться номер альбома.



3. С помощью кнопок "SKIP -/⏮" или "SKIP +/⏭" выберите альбом, композиции которого вы хотите запрограммировать. На дисплее отобразится номер выбранного альбома. Нажмите кнопку PROG, при этом номер композиции на дисплее начнет мигать.
4. С помощью кнопок "SKIP -/⏮" или "SKIP +/⏭" выберите композицию, которую вы хотите запрограммировать. На дисплее отобразится номер выбранной композиции.
5. Чтобы внести в память номер альбома и номер композиции, нажмите кнопку PROG (6).
6. Вы можете запрограммировать до 64 композиций. Для продолжения программирования повторите действия 2-5.
7. Для воспроизведения запрограммированных композиций нажмите кнопку PLAY/PAUSE (▶||) (4) один раз.
8. Для отмены запрограммированного воспроизведения нажмите кнопку STOP (9) дважды.

РУССКИЙ

ПОИСК КОМПОЗИЦИИ ПО НАЗВАНИЮ

Поиск по названию

- Нажмите кнопку ASP/DIR NEXT, при этом на дисплее отобразится буква "A", а также замигает символ "🔍", показывающий на активацию режима поиска.
- С помощью кнопок "SKIP -/⏮" или "SKIP +/⏭" выберите первую букву названия композиции, которую вы хотите найти.
- После выбора первой буквы нажмите кнопку "SKIP +/⏭" и удерживайте более 2 секунд. На дисплее появится первая песня, название которой начинается с выбранной вами буквы.
- С помощью кнопок "SKIP -/⏮" или "SKIP +/⏭" выберите композицию, которую вы хотите прослушать.
- Для воспроизведения выбранной композиции нажмите кнопку PLAY/PAUSE ⏩.

Поиск по директориям (альбомам)

- Нажмите кнопку ASP/DIR NEXT дважды. На дисплее отобразится надпись "🔍"
- С помощью кнопок "SKIP -/⏮" или "SKIP +/⏭" выберите номер альбома.
- Нажмите кнопку "SKIP +" и удерживайте более двух секунд. На дисплее появится первая композиция из выбранного альбома.
- С помощью кнопок "SKIP -/⏮" или "SKIP +/⏭" выберите композицию, которую вы хотите прослушать.
- Для воспроизведения выбранной композиции нажмите кнопку PLAY/PAUSE ⏩.

ДОПОЛНИТЕЛЬНЫЕ ФУНКЦИИ

Усиление низких частот

Для усиления низких частот установите переключатель BASS BOOST (17) в положение ON.

Примечание: В связи с тем, что степень усиления низких частот зависит от уровня громкости, при высокой громкости может наблюдаться искажение звука. Отрегулируйте громкость, чтобы улучшить качество звучания.

Смена установок дисплея

(при воспроизведении дисков формата MP3)

Во время воспроизведения диска в формате MP3 на дисплее отображается название композиции и название каталога. Нажмите кнопку MODE и удерживайте ее более 2 секунд. На дисплее отобразятся номер альбома, номер каталога и текущее время. Чтобы вернуться к исходным установкам дисплея, нажмите кнопку MODE и удерживайте ее более 2 секунд.

Автоматическое отключение

Если после однократного нажатия кнопки STOP прошло более 60 секунд (режим

РУССКИЙ

ожидания), активируется функция POWER OFF, и устройство автоматически отключается. После двукратного нажатия кнопки STOP устройство отключается сразу.

Функция защиты от вибрации Anti-Shock

- Если в режиме воспроизведения возможны толчки или вибрация (например, во время ходьбы или поездки в транспортном средстве), активируется функция защиты от вибрации Anti-Shock и воспроизведение композиций не прерывается.
- При нажатии кнопки PLAY/PAUSE на дисплее мигает надпись "ASP". Надпись "ASP" перестанет мигать, когда буфер памяти будет переполнен.
- Если плеер находится под действием непрерывной встряски или вибрации более 45 секунд (при воспроизведении дисков в формате CD) и более 120 секунд (при воспроизведении дисков в формате MP3), звук может отключиться на несколько секунд. Как только плеер стабилизируется от встряски, воспроизведение возобновится.
- Для отключения функции ANTI-SHOCK нажмите кнопку ASP (5) один раз.

Примечание:

- При использовании функции защиты от вибрации компакт-диск вращается быстрее, чем в обычном режиме, при этом активируется память. Используйте функцию Anti-shock только в случае необходимости, так как слишком частая активация этой функции сократит срок службы батарей.
- При использовании функции Anti-shock воспроизведение некачественных, поврежденных или загрязненных дисков не улучшится.
- Внимание! Во время воспроизведения дисков в формате MP3 функция защиты от вибрации активирована постоянно, и отключить ее невозможно.

Блокировка

Для блокировки функций устройства установите регулятор HOLD (18) в положение ON.

ОБСЛУЖИВАНИЕ И УХОД

Очистка устройства

Протрите наружную поверхность корпуса устройства мягкой тканью, смоченной в теплой мыльной воде и отжатой насухо.

УХОД ЗА КОМПАКТ ДИСКАМИ

Устройство предназначено для воспроизведения компакт-дисков со специальным логотипом CD. Не устанавливайте в плеер диски без такого логотипа. Всегда устанавливайте компакт-диск декоративной стороной вверх.

Повреждение поверхности компакт-дисков могут стать причиной некачественного воспроизведения. Обращайтесь с компакт-дисками бережно. Несмотря на то, что частички пыли или отпечатки пальцев не влияют существенным образом на качество звучания, время от времени очищайте записываемую поверхность диска чистой, сухой, мягкой, тканью без ворса. Осторожно протирайте диск от центра к

РУССКИЙ

краям. Никогда не используйте химические очистители, аэрозоли, антистатические спреи, растворители и прочие химические средства для очистки дисков. Это может привести к существенным повреждениям поверхности диска. После использования диска положите его в футляр. Не подвергайте компакт-диски воздействию прямого солнечного света, высокой температуры или влажности в течение длительного времени. Не делайте надписи на декоративной стороне диска шариковой или гелиевой ручкой, так как они могут поцарапать диск.

Советы по устранению неисправностей

Проблема	Возможная причина	Решение
Плеер не включается	Непригодные или старые батареи	Замените обе батареи
	Сетевой адаптер неправильно подключен	Проверьте правильность подключения адаптера в розетку
Диск не воспроизводится	Диск установлен неправильно	Установите диск декоративной стороной вверх
	Диск поврежден или не соответствует стандартам	Установите другой компакт-диск
	Неплотно закрыта дверца отсека для компакт-дисков	Плотно закройте дверцу, нажав на ее левый угол
	Внутри отсека для компакт-дисков скопилась влага	Извлеките компакт-диск и оставьте дверцу отсека открытой на один час, чтобы влага испарилась
Отсутствует звук в наушниках	Наушники подсоединены неправильно	Отсоедините и снова подключите наушники к гнезду для наушников (где изображены наушники)
	Наушники подключены к гнезду линейного выхода	Подключите наушники к гнезду для наушников (не к гнезду линейного выхода)
	Установлен минимальный уровень громкости	Увеличьте уровень громкости
	Старые батареи	Установите новые батареи или используйте сетевой адаптер
	Компакт-диск поврежден	Установите другой компакт-диск
Пропуски при проигрывании компакт-диска	Загрязнен компакт-диск или считывающая линза	Очистите или замените компакт-диск или протрите линзу специальной щеточкой или с помощью продувочного устройства
	Плеер в течение долгого времени находится под воздействием встряски	Уменьшите встряску плеера
Искажение звука	Слишком высокий уровень громкости	Уменьшите уровень громкости
	Старые батареи	Батареи подходят в негодность, замените обе батареи или используйте сетевой адаптер
	Активирована функция усиления низких частот при слишком высоком уровне громкости	Убавьте уровень громкости или отключите функцию усиления низких частот
Дорожки не меняются или не воспроизводятся в нужном порядке Кнопки не работают	Старые батареи. На дисплее отображается значок разрядки батарей	Установите новые щелочные батареи или используйте сетевой адаптер
	В результате электронной или статической ошибки произошло замыкание цепи	Извлеките батареи и отключите сетевой адаптер. Подождите несколько секунд, а затем установите их обратно. Удостоверьтесь в том, что батареи новые и адаптер исправен
	Активирована функция блокировки кнопок	Установите регулятор HOLD в положение OFF

РУССКИЙ

ТЕХНИЧЕСКИЕ ХАРАКТЕРИСТИКИ

Аудио

Поддерживаемые форматы	CD/DA/CD-R/CD-RW/MP3
Цифро-аналоговое преобразование	1-битное Ц/А преобразование с четырехкратной дискретизацией
Частотная характеристика	20-20,000 Гц
Функция защиты от вибрации	память: 45 секунд (CD), 120 секунд (MP3)
Коэффициент детонации	Вне пределов измерений
Количество каналов	2 стерео канала
Выходная мощность	линейный выход в сред. 0.6 В(47 кОм)
Наушники:	20 мВт (32 Ом)
Усиление низких частот (100 Гц)	+6 дБ

MP3

Скорость передачи MPEG	32-384 кб/с
Рекомендуемая частота	128 кб/с при 44.1 КГц
Воспроизведение MP3 файлов	В формате, совместимом со стандартом ISO9660

Проверьте, соответствуют ли характеристики диска требованиям этой спецификации.

Общие характеристики

Требования к электропитанию	2 щелочных батареи типа LR6/UM-3/"AA" (не прилагаются) 4,5 В через сетевой адаптер
Потребление электроэнергии	<0,8 Вт (постоянный ток 3 В)
Габаритные размеры	Приблизительно 127 мм (длина) x 26 мм (толщина) x 139 мм (ширина)
Вес (без элементов питания)	203 г.

В ПРОЦЕССЕ ПОСТОЯННОГО УСОВЕРШЕНСТВОВАНИЯ ПРОДУКЦИИ, ПРОИЗВОДИТЕЛЬ ОСТАВЛЯЕТ ЗА СОБОЙ ПРАВО ВНОСИТЬ ИЗМЕНЕНИЯ В ТЕХНИЧЕСКИЕ ХАРАКТЕРИСТИКИ УСТРОЙСТВА БЕЗ ПРЕДВАРИТЕЛЬНОГО УВЕДОМЛЕНИЯ ПОТРЕБИТЕЛЕЙ

СРОК СЛУЖБЫ ПРИБОРА НЕ МЕНЕЕ 5 ЛЕТ