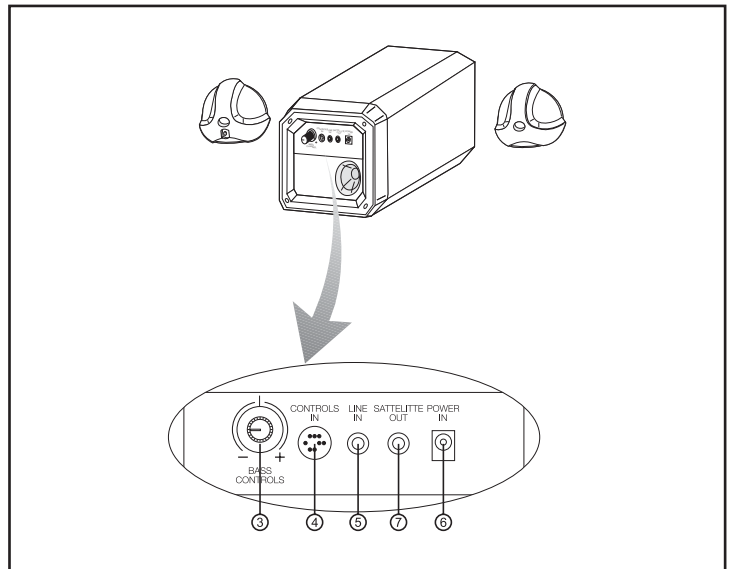
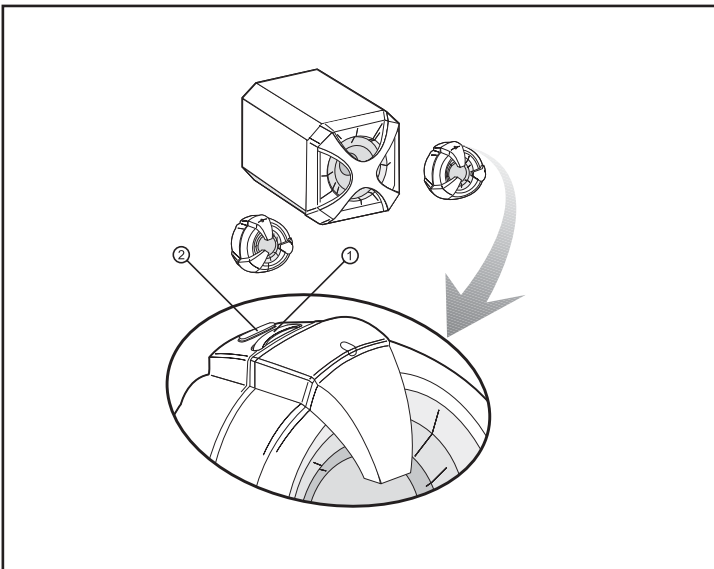


**MMS 430G**  
*Game Console Speakers System*

The socket-outlet shall be installed near the equipment and shall be easily accessible.

- 9. Do not defeat the safety purpose of the polarized or grounding-type plug.** A polarized plug has two blades with one wider than the other. Match wide blade of plug to wide slot, fully insert. A grounding type plug has two blades and a third grounding prong. The wide blade or the third prong are provided for your safety. When the provided plug does not fit into your outlet, consult an electrician for replacement of the obsolete outlet.
- 10. Protect the power cord** from being walked on or pinched particularly at plugs, convenience receptacles, and the point where they exit from the apparatus.
- 11. Only use attachments/accessories** specified by the manufacturer.
- 12. Use only with a cart, stand, tripod, bracket, or table** specified by the manufacturer, or use sold with the apparatus. When a cart is used, combination to avoid injury from tip-over.
- 13. Unplug this apparatus** during lightning storms or combination to avoid injury from tip-over.
- 14. Refer all servicing** to qualified service personnel. Servicing is required when the apparatus has been damaged in any way, such as power-supply cord or plug is damaged, liquid has been spilled on or objects have fallen into the apparatus, the flow of air through the ventilation openings, such as a bookcase or cabinet that may impede the flow of air through the ventilation openings.
- 15. Warning!** To reduce the risk of fire or electric shock, do not expose this appliance to rain or moisture, including amplifiers) that produce heat. radiators, heat registers, stoves, or other apparatus as heat sources such as
1. Read these instructions - All the safety and operating instructions should be read before some installation and operation precautions which you should be particularly aware of.
  2. Keep these instructions - The safety and operating instructions should be retained for future reference.
  3. Heed all warnings - All warnings on the appliance and in the operating instructions should be adhered to.
  4. Follow all instructions - All operating and use instructions should be followed.
  5. Do not use this apparatus near water - for example, near a bathtub, washbowl, kitchen sink, laundry tub, in a wet basement or near a swimming pool, etc.
  6. Clean only with a damp cloth. The appliance should be cleaned only as recommended by the manufacturer.
  7. Install in accordance with the manufacturers instructions. Do not block any of the ventilation openings. For example, the appliance should not be situated on a bed, sofa, rug, or similar surface or placed in a built-in installation, such as a bookcase or cabinet that may impede the flow of air through the ventilation openings.
  8. Do not install near heat sources such as radiators, heat registers, stoves, or other apparatus (including amplifiers) that produce heat.

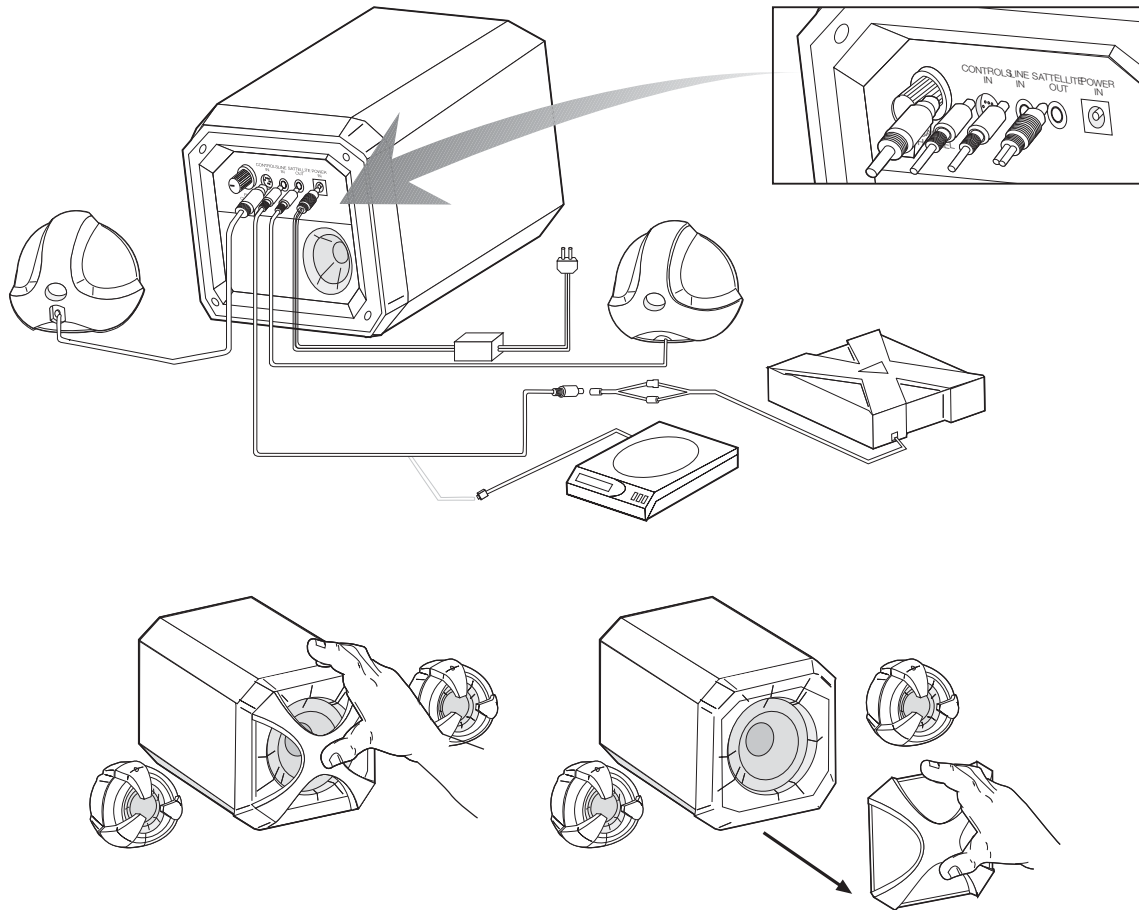
**IMPORTANT SAFETY INSTRUCTIONS** - Read before operating equipment  
For US/Canada only



~ **EXPLANATION** ~

- |   |  |   |
|---|--|---|
| <p>① <b>ROTARY VOLUME CONTROL</b><br/>TO ADJUST THE VOLUME HIGHER OR LOWER</p> <p>② <b>POWER ON/OFF</b><br/>TO SWITCH ON OR OFF POWER (BLUE LED INDICATES THAT THE POWER IS ON)</p> <p>③ <b>BASS CONTROL</b><br/>TO ADJUST BASS LEVEL TO DESIRED VOLUME</p> | <p>④ <b>CONTROL IN</b><br/>PLUG IN THE MINI DIN CONNECTOR</p> <p>⑤ <b>LINE IN</b><br/>TO CONNECT THE LINE IN CABLE FROM THE GAME CONSOLE/ SOUND SOURCE</p> <p>⑥ <b>POWER IN</b><br/>TO CONNECT THE ADAPTER</p> | <p>⑦ <b>SATELLITE OUT</b><br/>TO CONNECT THE SATELLITE SPEAKERS</p> |
|---|--|---|

# Installation



## English:

### Note:

1. Do not insert the power plug into AC outlet until all connections are made.

## Swedish:

### Obs:

1. Anslut inte nätkontakten till växelströmsuttaget förrän alla anslutningar har gjorts.

## Polish:

### Uwaga:

1. Nie wkładaj wtyczki do gniazda prądu zmiennego przed podłączeniem wszystkich urządzeń.

## Hungary

### Megjegyzés:

1. Ne illesze a tápfeszültség dugót a változó áramú (AC) dugaszoló-aljzatba addig, amíg nem végezte el a szükséges csatlakoztatásokat.

## Norwegian

### Merk:

1. Sett ikke strømforsyning inn i vekselstrømuttaket før alle tilkoblinger er utført.

## Slowackia:

### Poznámka:

1. Nezasúvajte zástrčku do zásuvky, kým nie sú pripojené všetky káble.

## Español:

### Nota:

1. No conecte el cable de alimentación a un enchufe de CA hasta que se hayan realizado todas las conexiones.

## Français :

### Remarque :

1. Ne branchez pas le câble d'alimentation dans la prise secteur tant que tous les branchements ne sont pas effectués.

## Portuguese

### Nota:

1. Introduza apenas a ficha na tomada de CA depois de efectuar todas as ligações.

## Italiano:

### Nota:

1. Non collegare la spina d'alimentazione alla presa CA prima di aver realizzato tutte le connessioni.

## Nederlands:

### Opmerking:

1. Verbind de netkabel pas met een stopcontact nadat u alle verbindingkabeltjes hebt aangesloten.

## Deutsch:

### Hinweis:

1. Schließen Sie das Gerät erst dann an die Stromversorgung an, wenn alle anderen Verbindungen hergestellt wurden.

## Turkish:

### Not:

1. Bağlantılar tamamlanana kadar fişi AC prizine takmayın.

## Finnish

### Huomautus:

1. Älä kytke virtälähdettä pistorasiaan, ennen kuin kaikki kytkennät on tehty.

## Czech:

### Poznámka:

1. Napájecí kabel připojte do zásuvky až po provedení všech zapojení.

## Russian:

### Примечание:

1. Не вставляйте вилку шнура питания в сетевую розетку до тех пор, пока не будут выполнены все соединения.

## 中文

### 注意:

1. 在完成所有连接前, 不要将电源插头插入交流插座。

## Important notes for users in the U.K.

### Mains plug

This apparatus is fitted with an approved 13 Amp plug. To change a fuse in this type of plug proceed as follows:

- 1 Remove fuse cover and fuse.
- 2 Fix new fuse which should be a BS1362 5 Amp, A.S.T.A. or BSI approved type.
- 3 Refit the fuse cover.

If the fitted plug is not suitable for your socket outlets, it should be cut off and an appropriate plug fitted in its place. If the mains plug contains a fuse, this should have a value of 5 Amp. If a plug without a fuse is used, the fuse at the distribution board should not be greater than 5 Amp.

**Note:** The severed plug must be disposed of to avoid a possible shock hazard should it be inserted into a 13 Amp socket elsewhere.

### How to connect a plug

The wires in the mains lead are coloured with the following code: blue = neutral (N), brown = live (L). As these colours may not correspond with the colour markings identifying the terminals in your plug, proceed as follows:

- Connect the blue wire to the terminal marked N or coloured black.
  - Connect the brown wire to the terminal marked L or coloured red.
  - Do not connect either wire to the earth terminal in the plug, marked E (or  $\frac{1}{2}$ ) or coloured green (or green and yellow).
- Before replacing the plug cover, make certain that the cord grip is clamped over the sheath of the lead - not simply over the two wires.

### Copyright in the U.K.

Recording and playback of material may require consent. See Copyright Act 1956 and The Performer's Protection Acts 1958 to 1972.

## Norge

Typeskilt finnes på apparatens underside.

**Observer:** Nettbryteren er sekundert innkoplet. Den innebygde nettdelen er derfor ikke frakoplet nettet så lenge apparatet er tilsluttet nettkontakten.

Før å redusere faren for brann eller elektrisk støt, skal apparatet ikke utsettes for regn eller fuktighet.