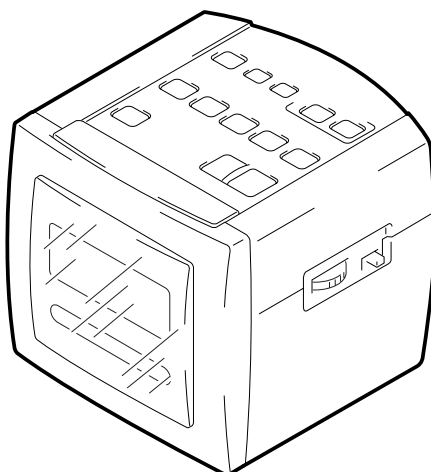


ICF-C113/C113L/C113V

SERVICE MANUAL

Ver 1.1 1998.11

With SUPPLEMENT 1 (9-925-933-81)



US Model
ICF-C113V

E Model

Australian Model
ICF-C113

UK Model
ICF-C113L

AEP Model
ICF-C113/C113L

SPECIFICATIONS

Time display :

US, UK, Australian model	12hour
EXCEPT US, UK, Australian model	24hour

Frequency range :

US model

Band	ICF-C113V	Channel step
FM	87.5 – 108 MHz	0.1MHz
AM	530 – 1,710 kHz	10kHz
TV	2 – 13CH	
WEATHER	1 – 5CH	

EXCEPT US model

Band	ICF-C113	ICF-C113L	Channel step
FM	87.5 – 108 MHz	87.5 – 108 MHz	0.05MHz*
AM (MW)	531 – 1,602 kHz	531 – 1,602 kHz	9kHz
LW	_____	153 – 279 kHz	9kHz
FM	87.5 – 108 MHz	_____	0.1MHz
AM	530 – 1,610 kHz	_____	10kHz

* The frequency display is up or down by steps of 0.1MHz.
(Example : Frequency 88.05 MHz is displayed as “88.0 MHz”.)

Speaker Approx. 6.6 cm (2 5/8 in) dia.

Power output

130 mW (at 10% harmonic distortion)

Power requirements

US model : 120V AC, 60Hz

EXCEPT US model : 220 – 230V AC, 50Hz

Dimensions

Approx. 119 x 118 x 129.5 mm (w/h/d)

(4 3/4 x 4 3/4 x 5 1/8 in) incl. projecting parts and controls

Mass

Approx. 630 g (1 lb 6.2 oz)

Approx. 670 g (1 lb 7.6 oz) : ICF-C113L (UK model)

Design and specifications are subject to change without notice.

ICF-C113

FM/AM PLL SYNTHESIZED CLOCK RADIO

ICF-C113L

FM/MW/LW PLL SYNTHESIZED CLOCK RADIO

ICF-C113V

TV/WEATER/FM/AM PLL SYNTHESIZED CLOCK RADIO



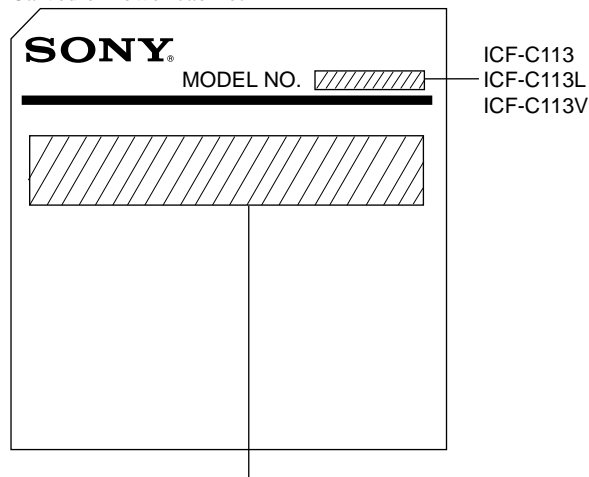
SONY®

TABLE OF CONTENTS

Specifications	1
1. GENERAL	
Location and Function of Controls	3
2. DISASSEMBLY	
2-1. Cabinet (Upper), Front Panel Assy Removal	4
3-2. Key Board, Main Board, Power Transformer Removal	4
3. ELECTRICAL ADJUSTMENT	5
4. DIAGRAMS	
4-1. Explanation of IC Terminals	8
4-2. Printed Wiring Boards (ICF-C113/C113V)	9
4-3. Schematic Diagram (ICF-C113/C113V)	11
4-4. Printed Wiring Boards (ICF-C113L)	13
4-5. Schematic Diagram (ICF-C113L)	15
5. EXPLODED VIEW	18
6. ELECTRICAL PARTS LIST	20

MODEL IDENTIFICATION

– Model Number Portion –
Carved on lower cabinet



US model : AC : 120V~60Hz 5W
AEP, UK, Italian, E, Swiss,
Australian model : AC : 220 – 230V~50Hz 5W

• HOW TO CHANGE THE CERAMIC FILTERS

This model is used two ceramic filters of CF2 and CF3. You must use same type of color marked ceramic filters in order to meet same specifications. Therefore, the ceramic filter must be changed two pieces together since it's supplied two pieces in a package as spare parts.

		Mark	Center frequency
		red	10.70MHz
		blue	10.67MHz
		orange	10.73MHz
		black	10.64MHz
		white	10.76MHz

SAFETY CHECK-OUT (US model)

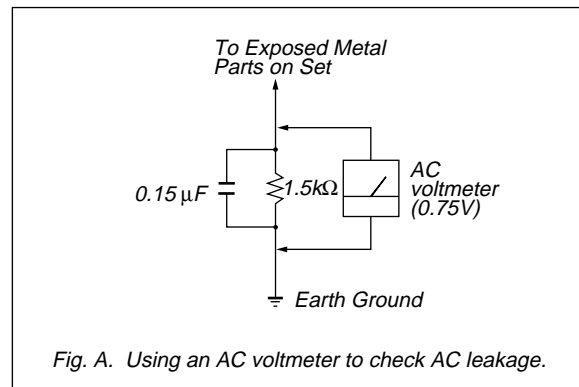
After correcting the original service problem, perform the following safety check before releasing the set to the customer : Check the antenna terminals, metal trim, "metallized" knobs, screws, and all other exposed metal parts for AC leakage. Check leakage as described below.

LEAKAGE TEST

The AC leakage from any exposed metal part to earth ground and from all exposed metal parts to any exposed metal part having a return to chassis, must not exceed 0.5mA (500 microamperes).

Leakage current can be measured by any one of three methods.

1. A commercial leakage tester, such as the Simpson 229 or RCA WT-540A. Follow the manufacturers' instructions to use these instruments.
2. A battery-operated AC milliammeter. The Data Precision 245 digital multimeter is suitable for this job.
3. Measuring the voltage drop across a resistor by means of a VOM or battery-operated AC voltmeter. The "limit" indication is 0.75V, so analog meters must have an accurate low-voltage scale. The Simpson 250 and Sanwa SH-63Trd are examples of a passive VOM that is suitable. Nearly all battery operated digital multimeters that have a 2V AC range are suitable. (See Fig. A)

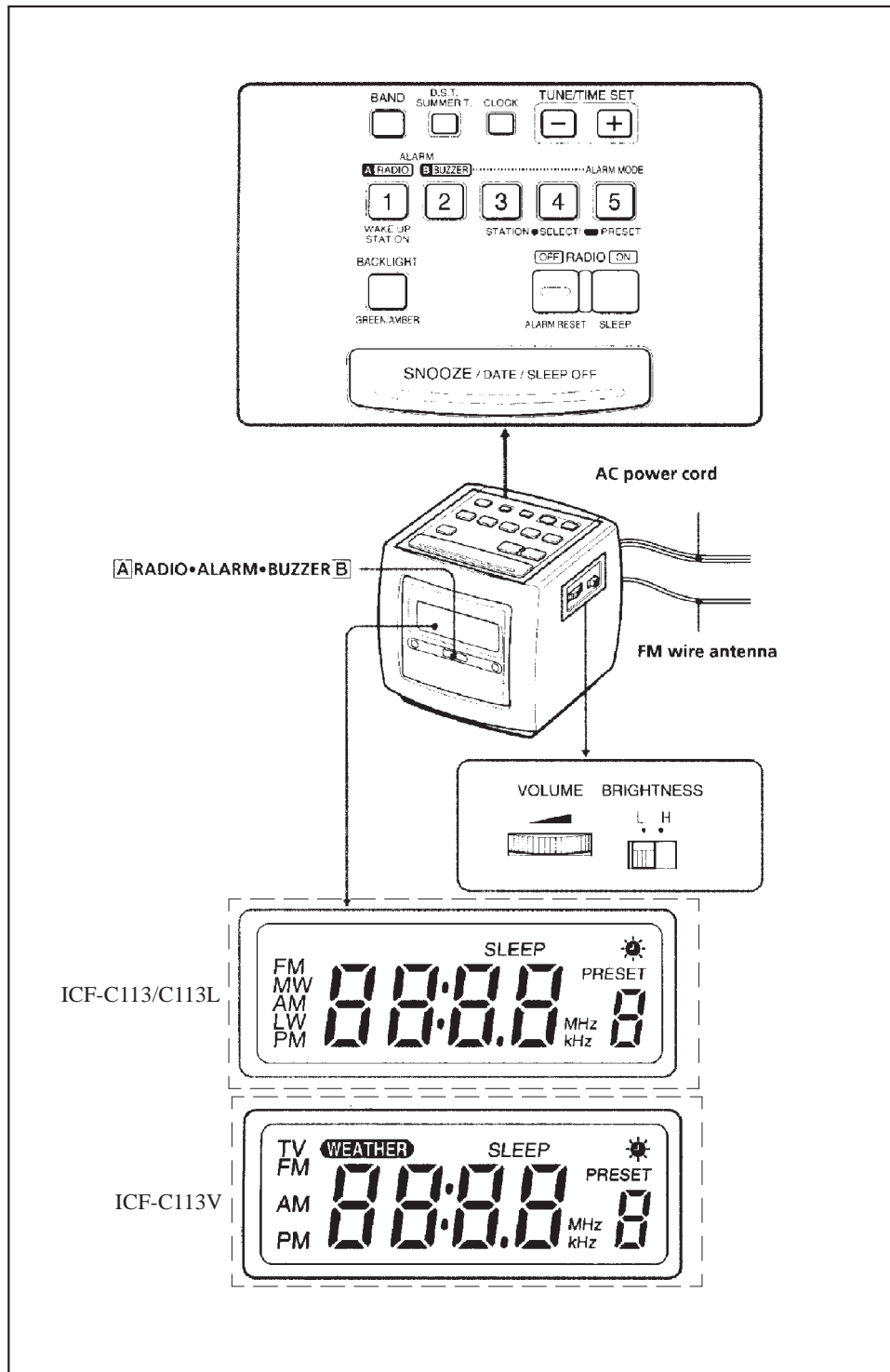


SAFETY-RELATED COMPONENT WARNING!!

COMPONENTS IDENTIFIED BY MARK Δ OR DOTTED LINE WITH MARK Δ ON THE SCHEMATIC DIAGRAMS AND IN THE PARTS LIST ARE CRITICAL TO SAFE OPERATION. REPLACE THESE COMPONENTS WITH SONY PARTS WHOSE PART NUMBERS APPEAR AS SHOWN IN THIS MANUAL OR IN SUPPLEMENTS PUBLISHED BY SONY.

SECTION 1 GENERAL

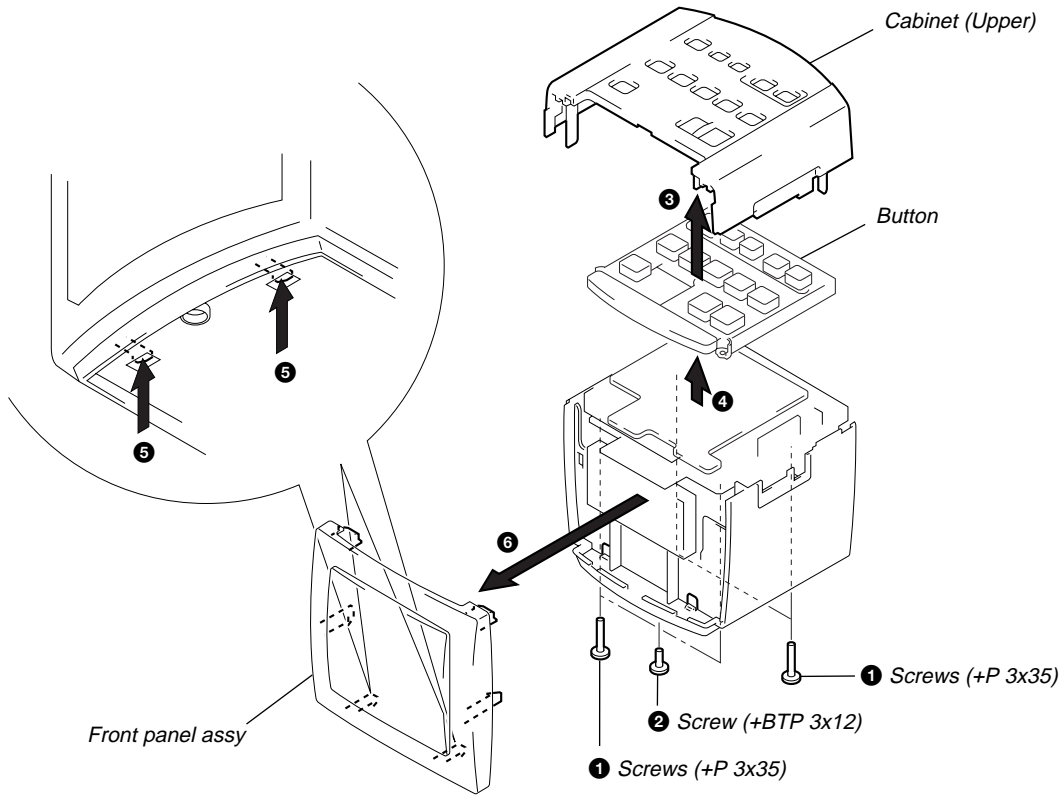
LOCATION AND FUNCTION OF CONTROL



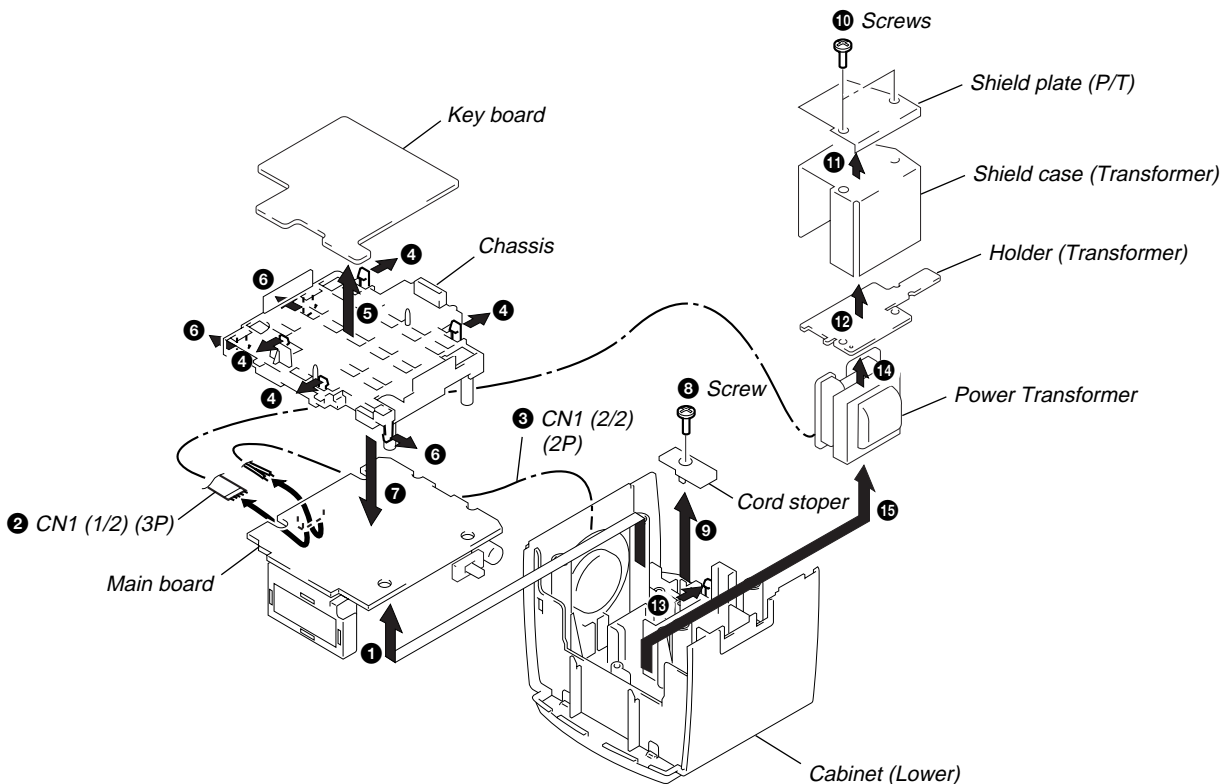
SECTION 2 DISASSEMBLY

Note : Follow the disassembly procedure in the numerical order given.

2-1. CABINET (UPPER), FRONT PANEL ASSY REMOVAL



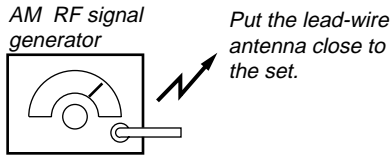
2-2. KEY BOARD, MAIN BOARD, POWER TRANSFORMER REMOVAL



SECTION 3 ELECTRICAL ADJUSTMENTS

AM Section

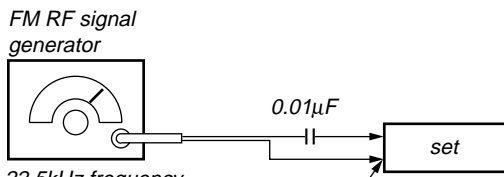
Band button : AM (ICF-C113/C113V)
 : MW or LW (ICF-C113L)
 Volume : MAX



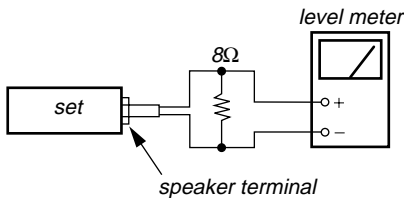
30% amplitude modulation by 400Hz signal.
 Output level : as low as possible

FM Section

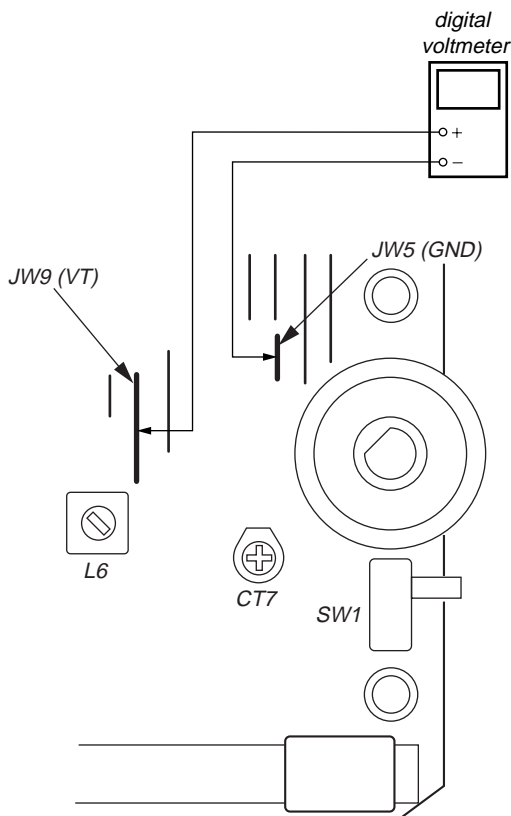
Band button : FM
 : TV (ICF-C113V)
 Volume : MAX



22.5kHz frequency deviation by 400Hz signal.
 Output level : as low as possible



[MAIN BOARD] (Component side)



- Repeat the procedures in each adjustment several times, and the frequency coverage and tracking adjustments should be finally done by the trimmer capacitors.

(): AEP, UK, Italian, Australian, E, Swiss model only

AM IF ALIGNMENT	
Adjust for a maximum reading on level meter.	
T2	450kHz

AM <MW> FREQUENCY COVERAGE ADJUSTMENT		
Adjust parts	Frequency display	Reading on digital voltmeter
L6	530kHz (531kHz)	2.65 ± 0.1V (ICF-C113/C113V) 2.65 ± 0.1V (ICF-C113L)
confirmation	1,710kHz (1,602kHz)	Less than 10.0V Standard 9.5V (Less than 9.5V) (Standard 9.0V)

AM <MW> TRACKING ADJUSTMENT		
Adjust for a maximum reading on level meter.		
L3 :ICF-C113/C113V L3-1 :ICF-C113L	580kHz (621kHz)	
CT3	1,490kHz (1,404kHz)	

ICF-C113L

LW FREQUENCY COVERAGE ADJUSTMENT		
Adjust parts	Frequency display	Reading on digital voltmeter
CT7	153kHz	More than 2.25V (± 0.05V)
confirmation	279kHz	Less than 9.5V (Standard 9.0V)

LW TRACKING ADJUSTMENT		
Adjust for a maximum reading on level meter.		
L3 - 2	162kHz	
CT2	243kHz	

ICF-C113/C113L

FM FREQUENCY COVERAGE ADJUSTMENT		
Adjust parts	Frequency display	Reading on digital voltmeter
L5	87.5MHz	3.5 ± 0.1V
confirmation	108.0MHz	Less than 11.8V (Standard 10.5V)

FM TRACKING ADJUSTMENT		
Adjust for a maximum reading on level meter.		
L4 - 2	87.5MHz	
CT5	108.0MHz	

CF-C113V

FM FREQUENCY COVERAGE ADJUSTMENT			
Adjust parts	Frequency display		Reading on digital voltmeter
L5	TV 2CH	59.75MHz	2.35 ± 0.1V
confirmation	FM	108.0MHz	Less than 13.5V (Standard 12.5V)

FM TRACKING ADJUSTMENT			
Adjust for a maximum reading on level meter.			
L4 - 2	TV 2CH	59.75MHz	
CT5	FM	108.0MHz	

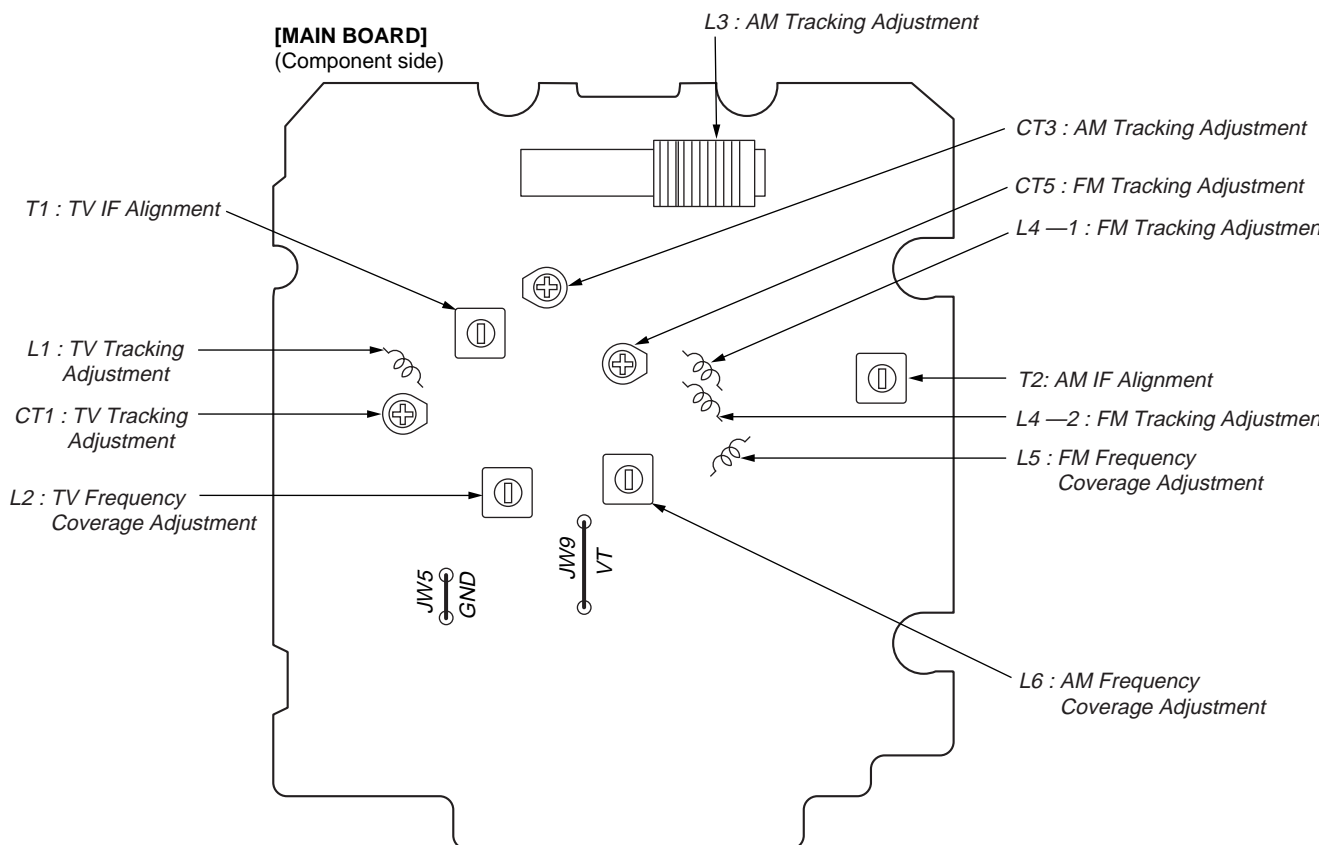
TV IF ALIGNMENT	
Adjust for a maximum reading on level meter.	
T1	10.7MHz

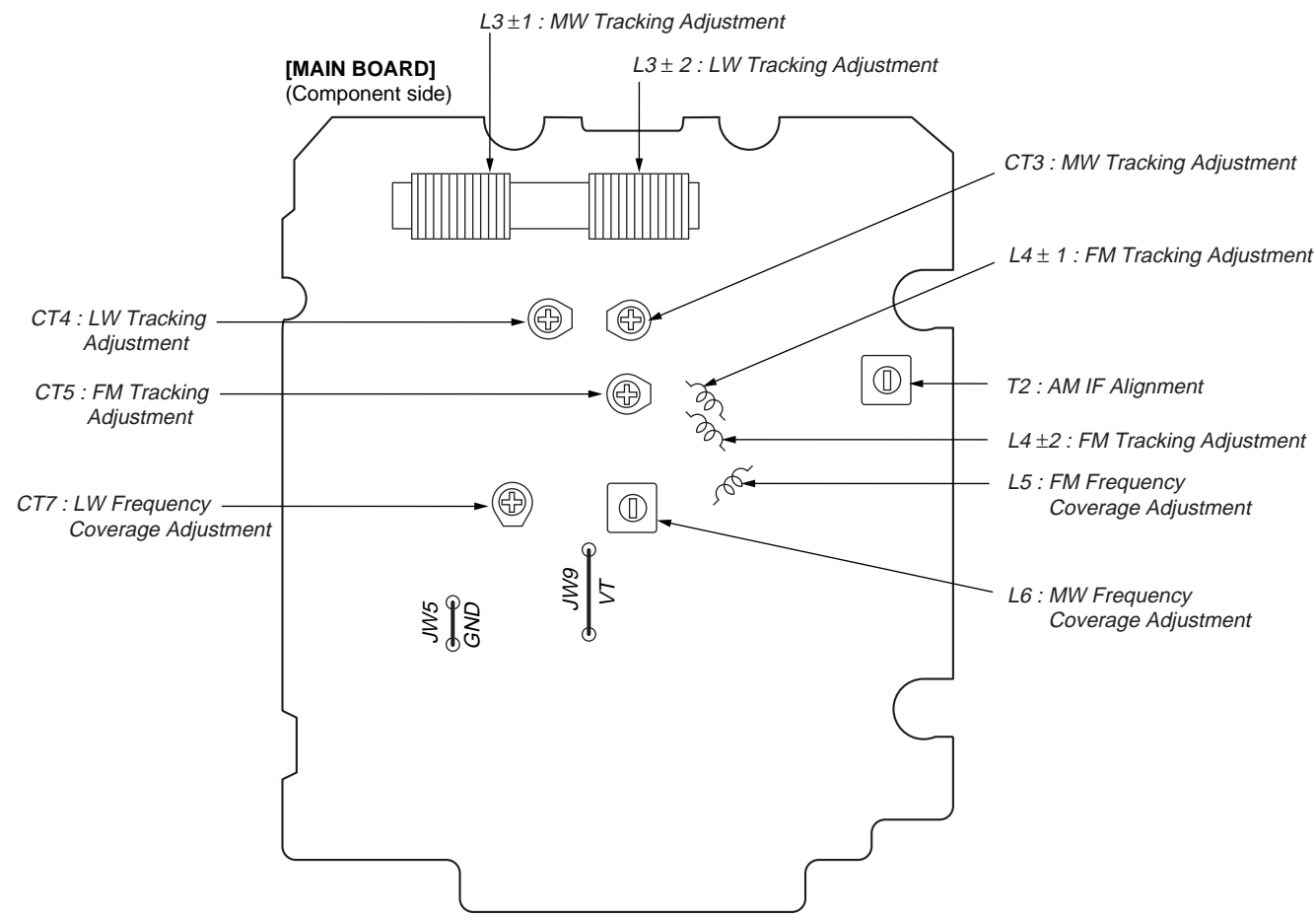
TV FREQUENCY COVERAGE ADJUSTMENT			
Adjust parts	Frequency display		Reading on digital voltmeter
L2	WEATHER 2CH	162.4MHz	1.0 ± 0.1V
confirmation	TV 13CH	215.75MHz	less than 12.3V (Standard 11.0V)

TV TRACKING ADJUSTMENT			
Adjust for a maximum reading on level meter.			
L1	WEATHER 2CH	162.4MHz	
CT1	TV 13CH	215.75MHz	

Adjustment Location :

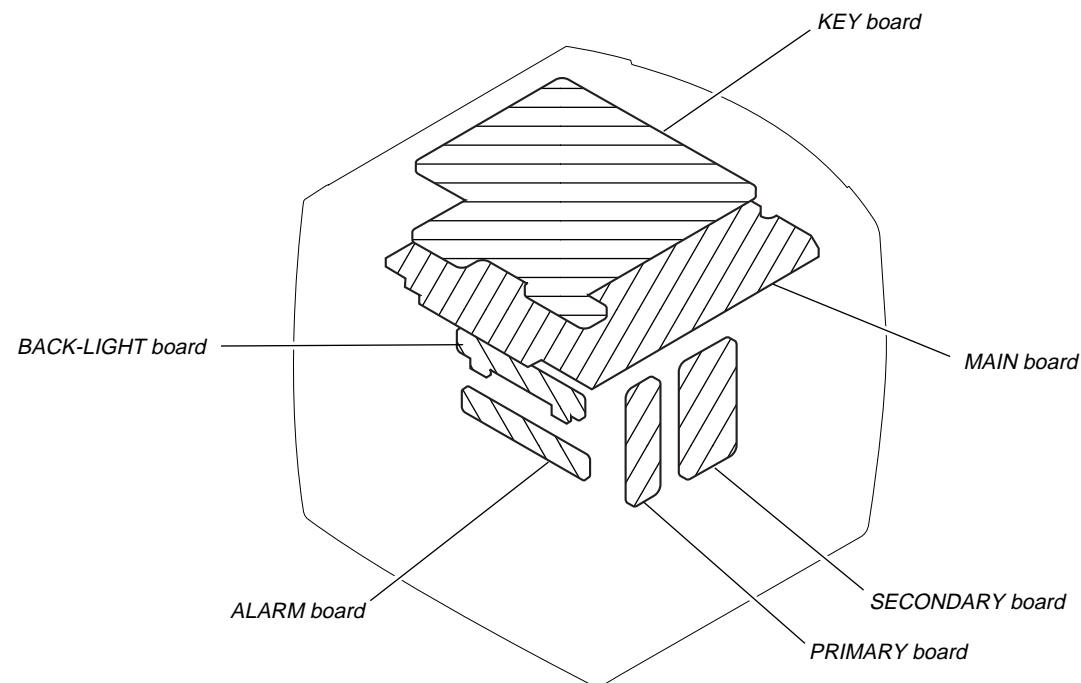
ICF-C113/C113V





**SECTION 4
DIAGRAMS**

● **CIRCUIT BOARDS LOCATION**

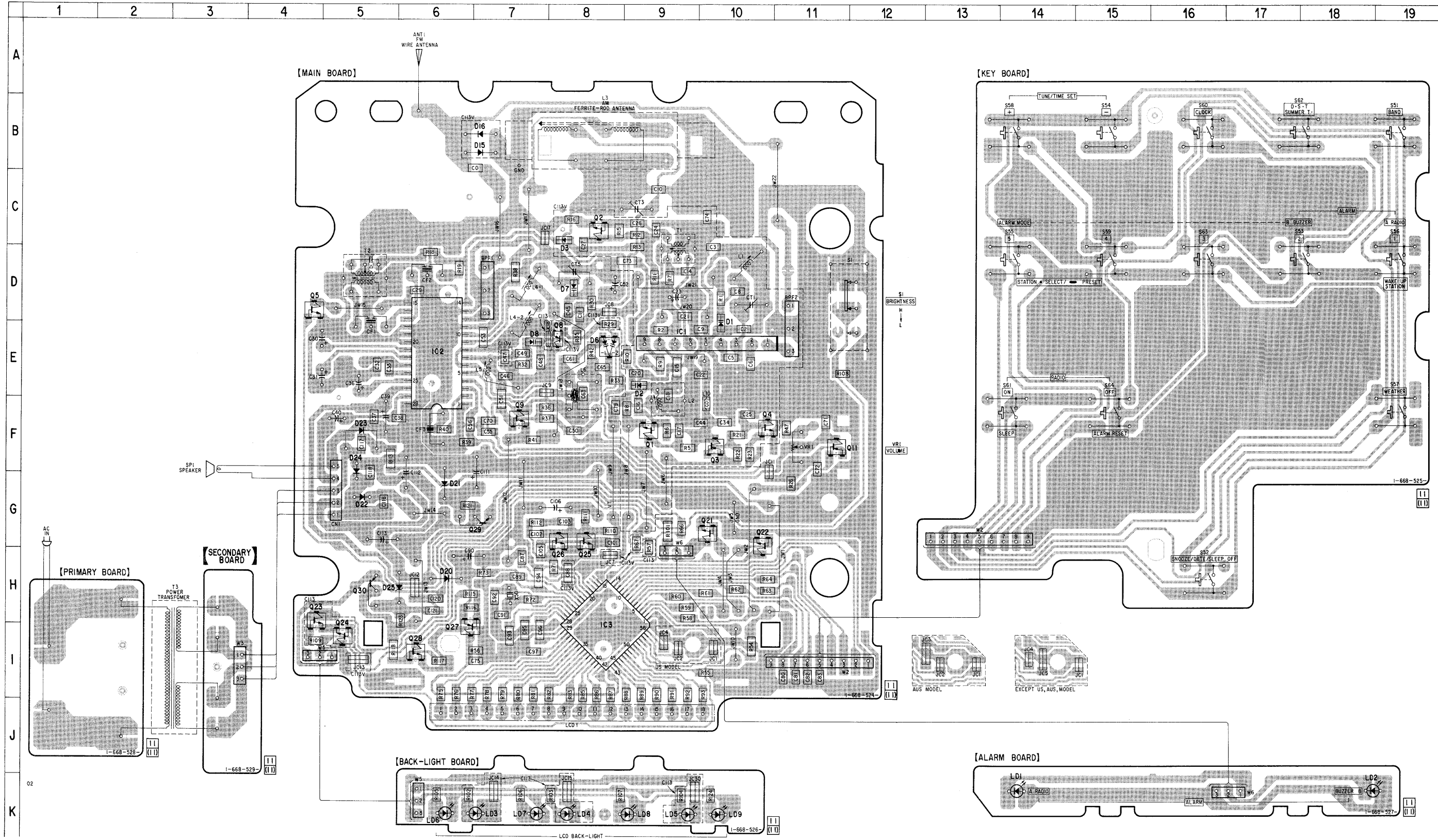


4-1. EXPLANATION OF IC TERMINALS

IC3 μ PD17071 (LCD DRIVE, SYSTEM CONTROL)

Pin No.	Pin name	I/O	Description
1	INIT OUT	O	Initial output terminal.
2	COLOR1	O	LCD back-light drive. "H" : Lighting
3	MUTE	O	Mute signal output. "L" : Mute ON
4	ALMA	O	ALARM A LED drive. "H" : Lighting
5	ALMB	O	ALARM B LED drive. "H" : Lighting
6	KS0	O	Key source output terminal.
7	KS1	O	Key source output terminal.
8	KS2	O	Key source output terminal.
9	KS3	O	Key source output terminal.
10	KR0	I	Key return input terminal.
11	KR1	I	Key return input terminal.
12	KR2	I	Key return input terminal.
13	KR3	I	Key return input terminal.
14	BAND1	O	Band select signal output.
15	BAND2	O	Band select signal output.
16	V AMP	-	Not used (Open).
17	COLOR2	O	LCD back-light drive. "H" : Lighting
18	GND	-	Ground.
19	EO	O	PLL error output terminal.
20	VCOL	I	FM/AM local oscillation input terminal.
21	VCOH	I	TV local oscillation input terminal.
22	VREG1	-	Voltage REG terminal for LCD.
23	VDD	-	Power supply (+2.9V).
24	X OUT	O	System clock oscillation terminal (75kHz).
25	X IN	I	System clock oscillation terminal (75kHz).
26	VREG2	-	Voltage REG terminal for LCD.
27	VLCD0	-	LCD bias terminal.
28	CAPO	-	LCD bias terminal.
29	CAPI	-	LCD bias terminal.
30	VLCD1	-	LCD bias terminal.
31	COM0	O	Common output 0.
32	COM1	O	Common output 1.
33	COM2	O	Common output 2.
34	COM3	O	Common output 3.
35 - 49	LCD0 - 14	O	LCD segment drive output.
50	CE	I	Chip enable input for LCD load.
51	INT	I	Initial terminal.
52	BEEP	O	Beep signal output terminal.
53		-	Not used (Open).
54	PB1	I	Mode identification terminal.
55	PB2	I	Mode identification terminal.
56	PB3	I	Mode identification terminal.

4-2. PRINTED WIRING BOARDS (ICF-C113/C113V)

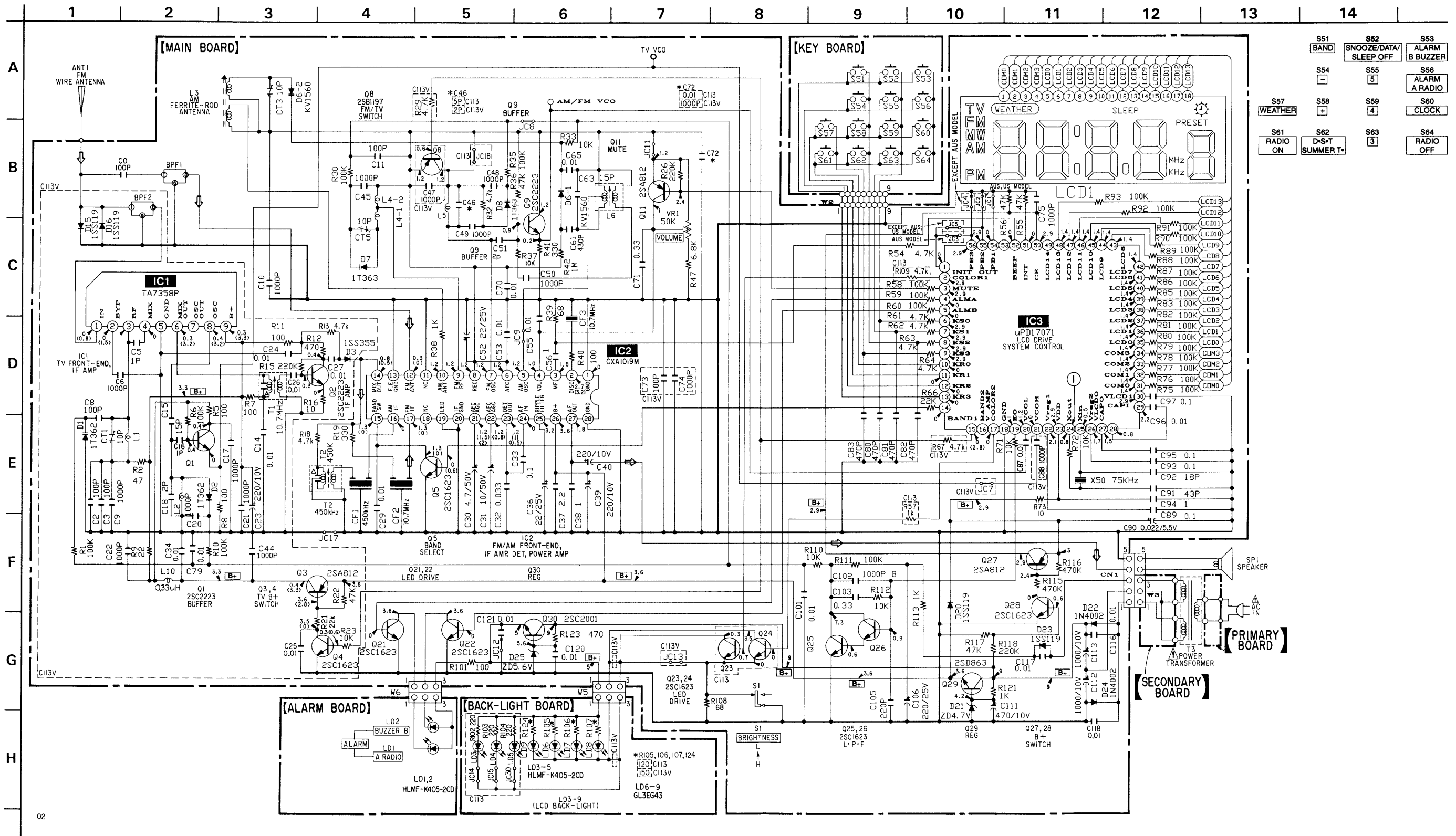


● SEMICONDUCTOR LOCATION

Ref. No.	Location	Ref. No.	Location	Ref. No.	Location	Ref. No.	Location	Ref. No.	Location	Ref. No.	Location
D1	D-10	D21	G-6	LD3	K-7	IC1	E-9	Q8	E-8	Q27	H-6
D2	E-9	D22	G-5	LD4	K-8	IC2	E-6	Q9	F-7		
D3	C-8			LD5	K-9	IC3	H-8	Q11	F-11	Q28	I-6
D6	E-8	D23	F-5	LD6	K-6			Q21	G-10	Q29	G-7
D7	D-8	D24	F-5	LD7	K-7	Q1	F-9	Q22	G-10	Q30	H-5
		D25	H-5	LD8	K-9	Q2	C-8	Q23	H-4		
D8	E-7			LD9	K-10	Q3	F-10	Q24	I-5		
D15	B-7	LD1	K-14			Q4	F-10	Q25	G-8		
D16	B-7	LD2	K-18			Q5	D-4	Q26	G-8		
D20	H-6										

Note:

- — : parts extracted from the component side.
- ■ : parts mounted on the conductor side.
- ▨ : Pattern from the side which enables seeing.



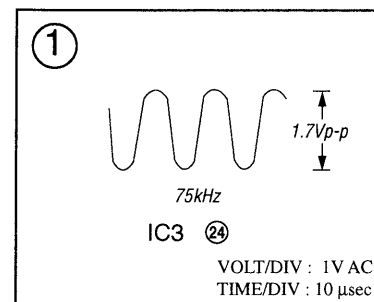
S51 BAND	S52 SNOOZE/DATA/ SLEEP OFF	S53 ALARM B BUZZER
S54 -	S55 5	S56 ALARM A RADIO
S57 WEATHER	S58 +	S59 4
S61 RADIO ON	S62 D-S-T SUMMER T+	S63 3
		S64 RADIO OFF

Note:

- All capacitors are in μF unless otherwise noted. pF : μF 50 WV or less are not indicated except for electrolytics and tantalums.
- All resistors are in Ω and $1/4\text{W}$ or less unless otherwise specified.
- **B+** : B+ Line.
- Voltages and waveforms are dc with respect to ground under no-signal (detuned) conditions.
no mark : FM
() : AM
< > : TV

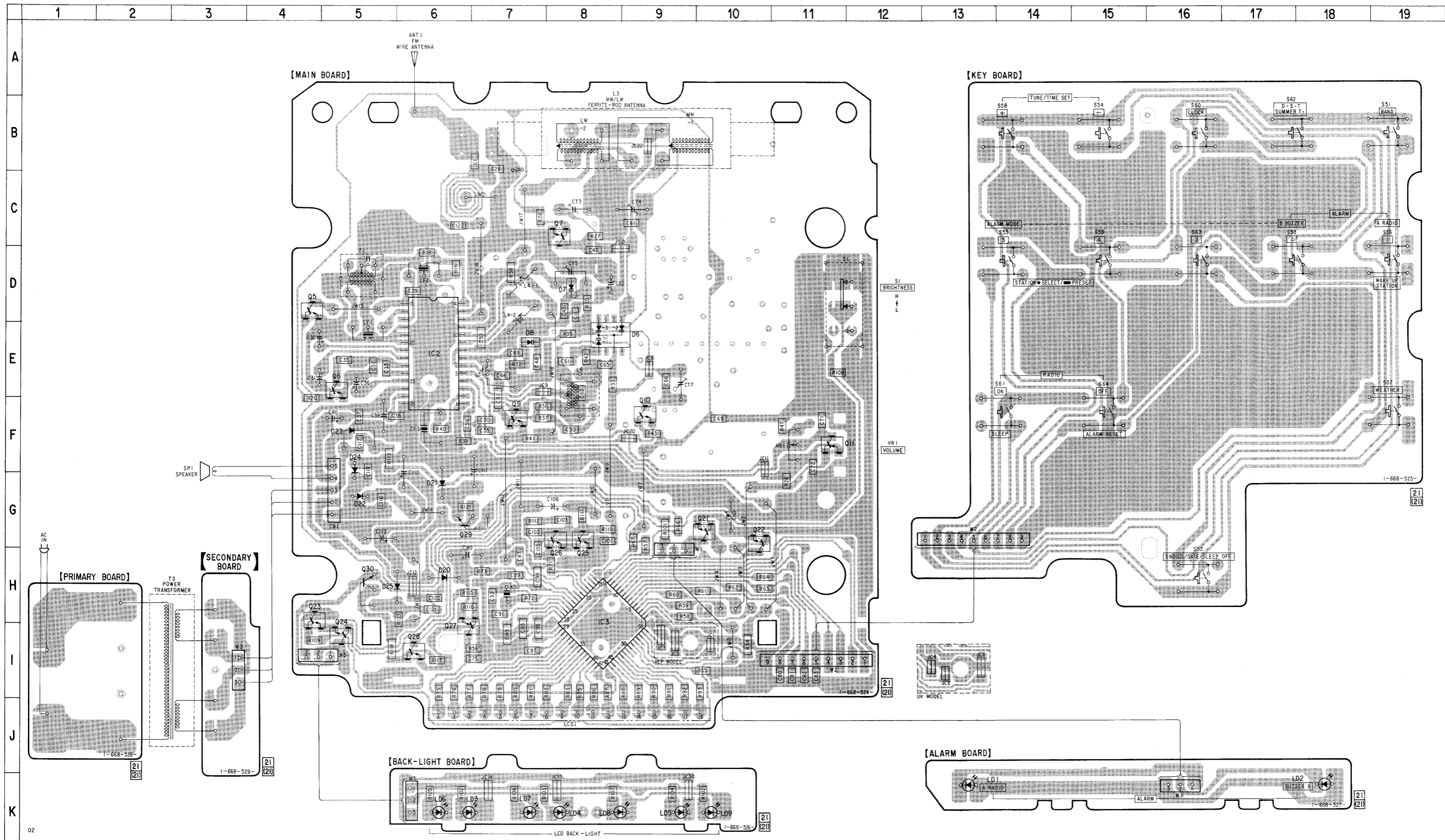
- Voltages are taken with a VOM (Input impedance 10 M Ω). Voltage variations may be noted due to normal production tolerances.
- Waveforms are taken with an oscilloscope. Voltage variations may be noted due to normal production tolerances.
- Abbreviation AUS : Australian

• WAVEFORM



ICF-C113/C113L/C113V

4-4. PRINTED WIRING BOARDS (ICF-C113L)

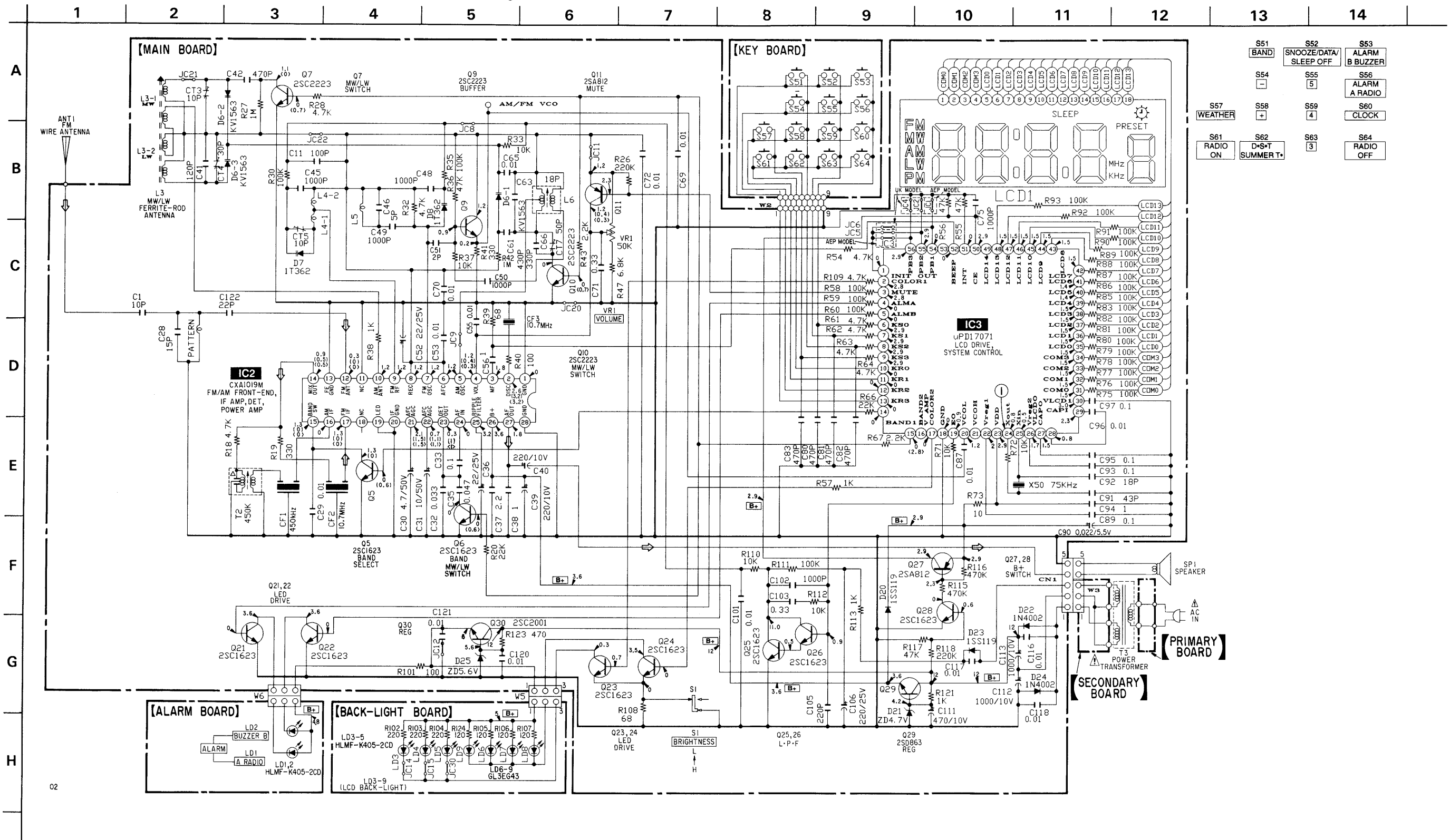


SEMICONDUCTOR LOCATION

Ref. No.	Location	Ref. No.	Location	Ref. No.	Location	Ref. No.	Location	Ref. No.	Location
D6	E-8	LD1	K-13	IC2	E-6	Q11	F-11	Q29	G-7
D7	D-8	LD2	K-18	IC3	H-8	Q21	G-10		
D8	E-7	LD3	K-6			Q22	G-10		
D20	H-6	LD4	K-8			Q23	H-4	Q30	H-5
D21	G-6	LD5	K-9	Q5	D-4	Q24	I-5		
				Q6	E-5				
D22	G-5	LD6	K-6	Q7	C-8	Q25	G-8		
D23	F-5	LD7	K-7	Q9	F-7	Q26	G-8		
D24	F-5	LD8	K-8	Q10	F-9	Q27	I-6		
D25	H-5	LD9	K-10			Q28	I-6		

Note:

- : parts extracted from the component side.
- ◐ : Pattern from the side which enables seeing.



S51 [BAND]	S52 [SNOOZE/DATA/ SLEEP OFF]	S53 [ALARM B BUZZER]
S54 [-]	S55 [5]	S56 [ALARM A RADIO]
S57 [WEATHER]	S58 [+]	S59 [4]
S61 [RADIO ON]	S62 [D+S-T SUMMER T.]	S63 [3]
		S64 [RADIO OFF]

Note:

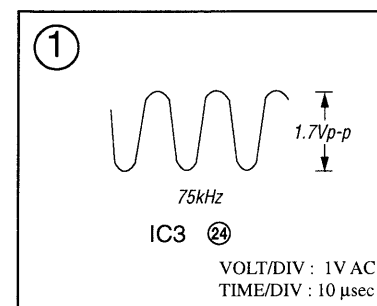
- All capacitors are in μF unless otherwise noted. pF: μF 50 WV or less are not indicated except for electrolytics and tantalums.
- All resistors are in Ω and $\frac{1}{4}W$ or less unless otherwise specified.

Note: The components identified by mark Δ or dotted line with mark Δ are critical for safety. Replace only with part number specified.

- **[B+]** : B+ Line.

- Voltages are dc with respect to ground under no-signal (detuned) conditions.
no mark : FM
() : MW
< : LW
> : LW
- Voltages are taken with a VOM (Input impedance 10 M Ω). Voltage variations may be noted due to normal production tolerances.
- Signal path.
 \Rightarrow : FM

• WAVEFORM



<u>Ref. No.</u>	<u>Part No.</u>	<u>Description</u>	<u>Remark</u>	<u>Ref. No.</u>	<u>Part No.</u>	<u>Description</u>	<u>Remark</u>
1	X-3374-868-1	FRONT PANEL ASSY (BLCK)		△ 14	1-777-921-21	CORD, POWER (C113:EXCEPT AUS/ C113L:AEP) (WHITE)	
1	X-3374-869-1	FRONT PANEL ASSY (WHITE)		* 15	3-020-882-01	HOLDER (TRANSFORMER) (C113,C113L) (BLACK)	
1	X-3374-870-1	FRONT PANEL ASSY (SILVER)		* 15	3-020-882-11	HOLDER (TRANSFORMER) (C113,C113L) (WHITE)	
2	3-020-883-01	SHEET (LED)		* 15	3-020-882-21	HOLDER (TRANSFORMER) (C113,C113L, C113V) (SILVER)	
3	3-020-877-01	PLATE, BACK (C113V)		* 16	1-668-528-11	PRIMARY BOARD (C113,C113V)	
3	3-020-877-11	PLATE, BACK (C113)		* 16	1-668-528-21	PRIMARY BOARD (C113L)	
3	3-020-877-21	PLATE, BACK (C113L)		* 17	1-535-771-11	TERMINAL (C113,C113L)	
* 4	A-3679-979-A	MAIN BOARD ASSY (C113V)		* 18	1-668-529-11	SEDONDARY BOARD (C113,C113V)	
* 4	A-3679-980-A	MAIN BOARD ASSY (C113:EXCEPT AUS)		* 18	1-668-529-21	SEDONDARY BOARD (C113L)	
* 4	A-3679-981-A	MAIN BOARD ASSY (C113:AUS)		* 19	3-884-408-01	STOPPER, CORD	
* 4	A-3679-982-A	MAIN BOARD ASSY (C113L:AEP)		20	3-020-875-21	CABINET (LOWER) (C113V) (SILVER)	
* 4	A-3679-983-A	MAIN BOARD ASSY (C113L:UK)		20	3-020-875-31	CABINET (LOWER) (C113) (BLACK)	
* 5	3-020-884-01	PLATE (LCD), SHIELD		20	3-020-875-41	CABINET (LOWER) (C113) (WHITE)	
6	3-020-880-01	HOLDER (LCD)		20	3-020-875-51	CABINET (LOWER) (C113) (SILVER)	
7	3-382-175-31	KNOB (V)		20	3-020-875-61	CABINET (LOWER) (C113L) (BLACK)	
8	7-685-548-14	SCREW +BTP 3X12 TYPE2 N-S		20	3-020-875-71	CABINET (LOWER) (C113L) (WHITE)	
9	7-685-154-19	SCREW +P 3X35 TYPE2 NON-SLIT		20	3-020-875-81	CABINET (LOWER) (C113L) (SILVER)	
* 10	3-020-878-01	CHASSIS		21	3-368-852-01	FOOT	
11	3-020-874-21	CABINET (UPPER) (C113V) (SILVER)		ANT1	1-501-907-21	ANTENNA, FM WIRE	
11	3-020-874-31	CABINET (UPPER) (C113,C113L) (BLACK)		LCD1	1-803-122-11	DISPLAY PANEL, LIQUID CRYSTAL	
11	3-020-874-41	CABINET (UPPER) (C113,C113L) (WHITE)		SP1	1-504-748-21	SPEAKER (6.6cm)	
11	3-020-874-51	CABINET (UPPER) (C113,C113L) (SILVER)		△ T3	1-450-922-11	TRANSFORMER, POWER (C113V)	
12	3-020-881-01	BUTTON (C113,C113L) (BLACK)		△ T3	1-450-923-11	TRANSFORMER, POWER (C113,C113L)	
12	3-020-881-11	BUTTON (C113,C113L) (WHITE)		W2	1-782-537-11	CORD, CONNECTION	
12	3-020-881-21	BUTTON (C113,C113L) (SILVER)		W3	1-783-718-11	CORD, CONNECTION	
12	3-020-881-21	BUTTON (C113V) (SILVER)		W5	1-783-719-11	CORD, CONNECTION	
△ 14	1-555-795-00	CORD, POWER (C113:EXCEPT AUS/ C113L:AEP) (BLACK,SILVER)		W6	1-783-718-11	CORD, CONNECTION	
△ 14	1-765-458-11	CORD, POWER (C113:AUS)					
△ 14	1-769-339-22	CORD, POWER (C113V)					
△ 14	1-769-578-11	CORD, POWER (C113L:UK)					

ALARM

BACK-LIGHT

KEY

**SECTION 6
ELECTRICAL PARTS LIST**

NOTE :

- Due to standardization, replacements in the parts list may be different from the parts specified in the diagrams or the components used on the set.
- -XX, -X mean standardized parts, so they may have some difference from the original one.
- RESISTORS
All resistors are in ohms
METAL : Metal-film resistor
METAL OXIDE :Metal oxide-film resistor
F : nonflammable
- Items marked “ * ”are not stocked since they are seldom required for routine service. Some delay should be anticipated when ordering these items.

- SEMICONDUCTORS
In each case, u : μ , for example :
uA..... : μ A..... , uPA..... : μ PA.....
uPB..... : μ PB..... , uPC..... : μ PC.....
uPD..... : μ PD.....
- CAPACITORS
uF : μ F
- COILS
uH : μ H
- Abbreviation
AUS : Australian

The components identified by mark Δ or dotted line with mark Δ are critical for safety.
Replace only with part number specified.

When indicating parts by reference number, please include the board.

Ref. No.	Part No.	Description	Remark
*	A-3679-980-A	MAIN BOARD ASSY (C113:EXCEPT AUS)	
*	A-3679-981-A	MAIN BOARD ASSY (C113:AUS)	
*	A-3679-982-A	MAIN BOARD ASSY (C113L:AEP)	
*	A-3679-983-A	MAIN BOARD ASSY (C113L:UK)	
*	A-3679-979-A	MAIN BOARD ASSY (C113V)	

	3-020-880-01	HOLDER (LCD)	
*	3-020-884-01	PLATE (LCD), SHIELD	

ALARM BOARD			

< LED >			
LD1	8-719-070-81	LED HLMF-K405-2CD (ALARM A RADIO)	
LD2	8-719-070-81	LED HLMF-K405-2CD (ALARM B BUZZER)	

BACK-LIGHT BOARD			

< JUMPER RESISTOR >			
JC14	1-216-296-00	METAL CHIP	0 5% 1/8W (C113,C113L)
JC15	1-216-296-00	METAL CHIP	0 5% 1/8W (C113,C113L)
JC30	1-216-296-00	METAL CHIP	0 5% 1/8W (C113,C113L)
< LED >			
LD3	8-719-070-82	LED HLMF-KL05-2CD (LCD BACK-LIGHT)	(C113,C113L)
LD4	8-719-070-82	LED HLMF-KL05-2CD (LCD BACK-LIGHT)	(C113,C113L)
LD5	8-719-070-82	LED HLMF-KL05-2CD (LCD BACK-LIGHT)	(C113,C113L)
LD6	8-719-950-41	LED GL3EG43 (LCD BACK-LIGHT)	
LD7	8-719-950-41	LED GL3EG43 (LCD BACK-LIGHT)	
LD8	8-719-950-41	LED GL3EG43 (LCD BACK-LIGHT)	
LD9	8-719-950-41	LED GL3EG43 (LCD BACK-LIGHT)	
< RESISTOR >			
R102	1-216-033-00	METAL CHIP	220 5% 1/10W (C113,C113L)
R103	1-216-033-00	METAL CHIP	220 5% 1/10W

Ref. No.	Part No.	Description	Remark
R104	1-216-033-00	METAL CHIP	220 5% 1/10W (C113,C113L)
R105	1-216-027-00	METAL CHIP	120 5% 1/10W (C113,C113L)
R105	1-216-029-00	METAL CHIP	150 5% 1/10W (C113V)
R106	1-216-027-00	METAL CHIP	120 5% 1/10W (C113,C113L)
R106	1-216-029-00	METAL CHIP	150 5% 1/10W (C113V)
R107	1-216-027-00	METAL CHIP	120 5% 1/10W (C113,C113L)
R107	1-216-029-00	METAL CHIP	150 5% 1/10W (C113V)
R124	1-216-027-00	METAL CHIP	120 5% 1/10W (C113,C113L)
R124	1-216-029-00	METAL CHIP	150 5% 1/10W (C113V)

KEY BOARD			

< SWITCH >			
S51	1-554-303-21	SWITCH, TACTILE (BAND)	
S52	1-554-303-21	SWITCH, TACTILE (SNOOZE/DATE/SLEEP OFF)	
S53	1-554-303-21	SWITCH, TACTILE (2)	
S54	1-554-303-21	SWITCH, TACTILE (TUNE/TIME SET -)	
S55	1-554-303-21	SWITCH, TACTILE (5)	
S56	1-554-303-21	SWITCH, TACTILE (1)	
S57	1-554-303-21	SWITCH, TACTILE (WEATHER)	
S58	1-554-303-21	SWITCH, TACTILE (TUNE/TIME SET +)	
S59	1-554-303-21	SWITCH, TACTILE (4)	
S60	1-554-303-21	SWITCH, TACTILE (CLOCK)	
S61	1-554-303-21	SWITCH, TACTILE (RADIO ON, SLEEP)	
S62	1-554-303-21	SWITCH, TACTILE (D•S•T• SUMMER T•)	
S63	1-554-303-21	SWITCH, TACTILE (3)	
S64	1-554-303-21	SWITCH, TACTILE (RADIO OFF, ALARM RESET)	

Ref. No.	Part No.	Description	Remark	Ref. No.	Part No.	Description	Remark
		MAIN BOARD *****		C32	1-163-989-11	CERAMIC CHIP 0.033uF	10% 25V
		< ANTENNA >		C33	1-164-004-11	CERAMIC CHIP 0.1uF	10% 25V
ANT1	1-501-907-21	ANTENNA, FM WIRE		C34	1-163-031-11	CERAMIC CHIP 0.01uF	50V (C113V)
		< FILTER >		C35	1-163-809-11	CERAMIC CHIP 0.047uF	10% 25V (C113L)
BPF1	1-235-826-11	FILTER, BAND PASS (C113,C113V)		C36	1-128-551-11	ELECT 22uF	20% 25V
BPF2	1-235-763-11	FILTER, BAND PASS (C113V)		C37	1-164-505-11	CERAMIC CHIP 2.2uF	16V
		< CAPACITOR >		C38	1-164-346-11	CERAMIC CHIP 1uF	16V
C0	1-163-251-11	CERAMIC CHIP 100PF 5% 50V	(C113,C113V)	C39	1-126-934-11	ELECT 220uF	20% 10V
C1	1-163-227-11	CERAMIC CHIP 10PF 0.5PF 50V	(C113L)	C40	1-126-934-11	ELECT 220uF	20% 10V
C2	1-163-251-11	CERAMIC CHIP 100PF 5% 50V	(C113V)	C41	1-163-253-11	CERAMIC CHIP 120PF	5% 50V (C113L)
C3	1-163-251-11	CERAMIC CHIP 100PF 5% 50V	(C113V)	C42	1-163-133-00	CERAMIC CHIP 470PF	5% 50V (C113L)
C5	1-163-217-11	CERAMIC CHIP 1PF 0.25PF 50V	(C113V)	C44	1-163-141-00	CERAMIC CHIP 0.001uF	5% 50V (C113V)
C6	1-163-009-11	CERAMIC CHIP 0.001uF 10% 50V	(C113V)	C45	1-163-141-00	CERAMIC CHIP 0.001uF	5% 50V
C8	1-163-251-11	CERAMIC CHIP 100PF 5% 50V	(C113V)	C46	1-163-222-11	CERAMIC CHIP 5PF	0.25PF 50V (C113,C113L)
C9	1-163-141-00	CERAMIC CHIP 0.001uF 5% 50V	(C113V)	C46	1-163-085-00	CERAMIC CHIP 2PF	50V (C113V)
C10	1-163-009-11	CERAMIC CHIP 0.001uF 10% 50V	(C113,C113V)	C47	1-163-141-00	CERAMIC CHIP 0.001uF	5% 50V (C113V)
C11	1-163-251-11	CERAMIC CHIP 100PF 5% 50V		C48	1-163-141-00	CERAMIC CHIP 0.001uF	5% 50V
C14	1-163-031-11	CERAMIC CHIP 0.01uF 50V	(C113V)	C49	1-163-141-00	CERAMIC CHIP 0.001uF	5% 50V
C15	1-163-161-00	CERAMIC CHIP 15PF 5% 50V	(C113V)	C50	1-163-009-11	CERAMIC CHIP 0.001uF	10% 50V
C16	1-163-217-11	CERAMIC CHIP 1PF 0.25PF 50V	(C113V)	C51	1-163-149-00	CERAMIC CHIP 2PF	0.25PF 50V
C17	1-163-009-11	CERAMIC CHIP 0.001uF 10% 50V	(C113V)	C52	1-128-551-11	ELECT 22uF	20% 25V
C18	1-163-085-00	CERAMIC CHIP 2PF 50V	(C113V)	C53	1-163-059-11	CERAMIC CHIP 0.01uF	10% 50V
C20	1-163-141-00	CERAMIC CHIP 0.001uF 5% 50V	(C113V)	C55	1-163-031-11	CERAMIC CHIP 0.01uF	50V
C21	1-163-009-11	CERAMIC CHIP 0.001uF 10% 50V	(C113V)	C56	1-164-346-11	CERAMIC CHIP 1uF	16V
C22	1-163-009-11	CERAMIC CHIP 0.001uF 10% 50V	(C113V)	C61	1-163-132-00	CERAMIC CHIP 430PF	5% 50V
C23	1-126-934-11	ELECT 220uF 20% 10V	(C113V)	C63	1-163-231-11	CERAMIC CHIP 15PF	5% 50V (C113,C113V)
C24	1-163-031-11	CERAMIC CHIP 0.01uF 50V	(C113V)	C63	1-163-099-00	CERAMIC CHIP 18PF	5% 50V (C113L)
C25	1-163-031-11	CERAMIC CHIP 0.01uF 50V	(C113V)	C65	1-164-232-11	CERAMIC CHIP 0.01uF	50V
C26	1-163-031-11	CERAMIC CHIP 0.01uF 50V	(C113V)	C66	1-163-263-11	CERAMIC CHIP 330PF	5% 50V (C113L)
C27	1-163-031-11	CERAMIC CHIP 0.01uF 50V	(C113V)	C69	1-163-031-11	CERAMIC CHIP 0.01uF	50V (C113L)
C28	1-163-231-11	CERAMIC CHIP 15PF 5% 50V	(C113L)	C70	1-164-232-11	CERAMIC CHIP 0.01uF	50V
C29	1-163-031-11	CERAMIC CHIP 0.01uF 50V		C71	1-164-336-11	CERAMIC CHIP 0.33uF	25V
C30	1-126-963-11	ELECT 4.7uF 20% 50V		C72	1-163-031-11	CERAMIC CHIP 0.01uF	50V (C113,C113L)
C31	1-126-964-11	ELECT 10uF 20% 50V		C72	1-163-009-11	CERAMIC CHIP 0.001uF	10% 50V (C113V)
				C73	1-163-181-00	CERAMIC CHIP 100PF	5% 50V (C113V)
				C74	1-163-141-00	CERAMIC CHIP 0.001uF	5% 50V (C113V)
				C75	1-163-009-11	CERAMIC CHIP 0.001uF	10% 50V
				C79	1-164-232-11	CERAMIC CHIP 0.01uF	50V (C113V)
				C80	1-163-133-00	CERAMIC CHIP 470PF	5% 50V
				C81	1-163-133-00	CERAMIC CHIP 470PF	5% 50V
				C82	1-163-133-00	CERAMIC CHIP 470PF	5% 50V
				C83	1-163-133-00	CERAMIC CHIP 470PF	5% 50V
				C87	1-164-232-11	CERAMIC CHIP 0.01uF	50V

MAIN

Ref. No.	Part No.	Description	Remark	Ref. No.	Part No.	Description	Remark
C88	1-163-205-00	CERAMIC CHIP	0.001uF 5%	50V (C113V)	D23	8-719-911-19	DIODE 1SS119
C89	1-163-038-11	CERAMIC CHIP	0.1uF	25V	D24	8-719-052-88	DIODE 1N4002
C90	1-125-691-11	DOUBLE LAYER	0.022F 0	5.5V	D25	8-719-109-88	DIODE RD5.6ES-B1
C91	1-163-108-00	CERAMIC CHIP	43PF 5%	50V			< IC >
C92	1-163-099-00	CERAMIC CHIP	18PF 5%	50V	IC1	8-759-204-01	IC TA7358P (C113V)
C93	1-163-077-00	CERAMIC CHIP	0.1uF 10%	25V	IC2	8-752-050-16	IC CXA1019M
C94	1-162-638-11	CERAMIC CHIP	1uF	16V	IC3	8-759-531-36	IC uPD17071GB-523-1A7
C95	1-163-077-00	CERAMIC CHIP	0.1uF 10%	25V			< JUMPER RESISTOR >
C96	1-163-059-11	CERAMIC CHIP	0.01uF 10%	50V	JC1	1-216-295-00	METAL CHIP 0 5% 1/10W (C113,C113L:AEP,C113V)
C97	1-163-038-11	CERAMIC CHIP	0.1uF	25V	JC2	1-216-295-00	METAL CHIP 0 5% 1/10W (C113:AUS/C113L:UK,C113V)
C101	1-164-232-11	CERAMIC CHIP	0.01uF	50V	JC3	1-216-296-00	METAL CHIP 0 5% 1/8W (C113:AUS/C113L:AEP)
C102	1-163-009-11	CERAMIC CHIP	0.001uF 10%	50V	JC4	1-216-295-00	METAL CHIP 0 5% 1/10W (C113:EXCEPT AUS/C113L:UK,C113V)
C103	1-110-501-11	CERAMIC CHIP	0.33uF 10%	16V	JC5	1-216-296-00	METAL CHIP 0 5% 1/8W (C113:EXCEPT AUS/C113L:AEP)
C105	1-163-125-00	CERAMIC CHIP	220PF 5%	50V	JC6	1-216-296-00	METAL CHIP 0 5% 1/8W (C113L:UK)
C106	1-104-666-11	ELECT	220uF 20%	25V	JC7	1-216-295-00	METAL CHIP 0 5% 1/10W (C113V)
C111	1-126-925-11	ELECT	470uF 20%	10V	JC8	1-216-295-00	METAL CHIP 0 5% 1/10W
C112	1-126-926-11	ELECT	1000uF 20%	10V	JC9	1-216-295-00	METAL CHIP 0 5% 1/10W
C113	1-126-926-11	ELECT	1000uF 20%	10V	JC11	1-216-295-00	METAL CHIP 0 5% 1/10W
C116	1-163-031-11	CERAMIC CHIP	0.01uF	50V	JC12	1-216-296-00	METAL CHIP 0 5% 1/8W
C117	1-163-031-11	CERAMIC CHIP	0.01uF	50V	JC13	1-216-296-00	METAL CHIP 0 5% 1/8W (C113V)
C118	1-163-031-11	CERAMIC CHIP	0.01uF	50V	JC17	1-216-295-00	METAL CHIP 0 5% 1/10W (C113,C113V)
C120	1-163-031-11	CERAMIC CHIP	0.01uF	50V	JC18	1-216-295-00	METAL CHIP 0 5% 1/10W (C113)
C121	1-163-031-11	CERAMIC CHIP	0.01uF	50V	JC20	1-216-295-00	METAL CHIP 0 5% 1/10W (C113L)
C122	1-163-235-11	CERAMIC CHIP	22PF 5%	50V (C113L)	JC21	1-216-296-00	METAL CHIP 0 5% 1/8W (C113L)
		< FILTER >			JC22	1-216-295-00	METAL CHIP 0 5% 1/10W (C113L)
* CF1	1-577-319-11	FILTER, CERAMIC (C113,C113V)					< COIL >
CF1	1-578-677-21	FILTER, CRYSTAL (C113L)			L1	1-402-969-11	COIL, AIR-CORE (C113V)
CF2	1-579-632-41	FILTER, CERAMIC			L2	1-402-966-11	COIL (OSC) (C113V)
CF3	1-579-632-41	FILTER, CERAMIC			L3	1-402-616-11	ANTENNA, FERRITE-ROD (AM) (C113,C113V)
		< CONNECTOR >			L3	1-501-715-11	ANTENNA, FERRITE-ROD (LW/MW) (C113L)
* CN1	1-568-271-11	SOCKET, CONNECTOR 5P			L4-1	1-428-290-11	COIL, AIR-CORE
		< TRIMMER >			L4-2	1-406-545-11	COIL, AIR-CORE
CT1	1-141-304-21	CAP, TRIMMER 10PF (C113V)			L5	1-406-545-11	COIL, AIR-CORE
CT3	1-141-304-21	CAP, TRIMMER 10PF			L6	1-406-485-11	COIL (OSC)
CT4	1-141-443-11	CAP, CERAMIC TRIMMER 30PF (C113L)			L10	1-410-987-11	INDUCTOR CHIP 0.33uH (C113V)
CT5	1-141-304-21	CAP, TRIMMER 10PF					< LIQUID CRYSTAL DISPLAY >
CT7	1-141-444-11	CAP, CERAMIC TRIMMER 50PF (C113L)			LCD1	1-803-122-11	DISPLAY PANEL, LIQUID CRYSTAL
		< DIODE >					< TRANSISTOR >
D1	8-713-100-11	DIODE 1T362 (C113V)			Q1	8-729-102-07	TRANSISTOR 2SC2223-F13 (C113V)
D2	8-713-100-11	DIODE 1T362 (C113V)			Q2	8-729-102-07	TRANSISTOR 2SC2223-F13 (C113V)
D3	8-719-988-62	DIODE 1SS355 (C113V)			Q3	8-729-216-22	TRANSISTOR 2SA1162-G (C113V)
D6	8-719-951-05	DIODE KV1560 (C113,C113V)			Q4	8-729-120-28	TRANSISTOR 2SC1623-L5L6 (C113V)
D6	8-719-023-99	DIODE KV1563M-3 (C113L)					
D7	8-713-100-11	DIODE 1T362 (C113,C113L)					
D7	8-719-002-81	DIODE 1T363 (C113V)					
D8	8-713-100-11	DIODE 1T362 (C113,C113L)					
D8	8-719-002-81	DIODE 1T363 (C113V)					
D15	8-719-911-19	DIODE 1SS119 (C113V)					
D16	8-719-911-19	DIODE 1SS119 (C113V)					
D20	8-719-911-19	DIODE 1SS119					
D21	8-719-921-40	DIODE MTZJ-4.7C					
D22	8-719-052-88	DIODE 1N4002					

Ref. No.	Part No.	Description	Remark	Ref. No.	Part No.	Description	Remark
Q5	8-729-120-28	TRANSISTOR 2SC1623-L5L6		R29	1-216-065-11	RES,CHIP 4.7K 5%	1/10W (C113V)
Q6	8-729-120-28	TRANSISTOR 2SC1623-L5L6 (C113L)		R30	1-216-097-11	RES,CHIP 100K 5%	1/10W
Q7	8-729-102-07	TRANSISTOR 2SC2223-F13 (C113L)		R32	1-216-065-11	RES,CHIP 4.7K 5%	1/10W
Q8	8-729-904-87	TRANSISTOR 2SB1197K-R (C113V)		R33	1-216-073-00	METAL CHIP 10K 5%	1/10W
Q9	8-729-102-07	TRANSISTOR 2SC2223-F13		R35	1-216-097-11	RES,CHIP 100K 5%	1/10W
Q10	8-729-102-07	TRANSISTOR 2SC2223-F13 (C113L)		R36	1-216-089-11	RES,CHIP 47K 5%	1/10W
Q11	8-729-216-22	TRANSISTOR 2SA1162-G		R37	1-216-073-00	METAL CHIP 10K 5%	1/10W
Q21	8-729-120-28	TRANSISTOR 2SC1623-L5L6		R38	1-216-198-11	RES,CHIP 1K 5%	1/8W
Q22	8-729-120-28	TRANSISTOR 2SC1623-L5L6		R39	1-216-021-00	METAL CHIP 68 5%	1/10W
Q23	8-729-120-28	TRANSISTOR 2SC1623-L5L6 (C113,C113L)		R40	1-216-025-11	RES,CHIP 100 5%	1/10W
Q24	8-729-120-28	TRANSISTOR 2SC1623-L5L6 (C113,C113L)		R41	1-216-037-00	METAL CHIP 330 5%	1/10W
Q25	8-729-120-28	TRANSISTOR 2SC1623-L5L6		R42	1-216-121-11	RES,CHIP 1M 5%	1/10W
Q26	8-729-120-28	TRANSISTOR 2SC1623-L5L6		R43	1-216-057-00	METAL CHIP 2.2K 5%	1/10W (C113L)
Q27	8-729-216-22	TRANSISTOR 2SA1162-G		R47	1-216-069-00	METAL CHIP 6.8K 5%	1/10W
Q28	8-729-120-28	TRANSISTOR 2SC1623-L5L6		R54	1-216-214-00	RES,CHIP 4.7K 5%	1/8W
Q29	8-729-045-24	TRANSISTOR 2SD863F-AE		R55	1-216-089-11	RES,CHIP 47K 5%	1/10W
Q30	8-729-011-92	TRANSISTOR 2SC2001TP-K1K2		R56	1-216-089-11	RES,CHIP 47K 5%	1/10W
		< RESISTOR >		R57	1-216-049-11	RES,CHIP 1K 5%	1/10W (C113,C113L)
R1	1-216-097-11	RES,CHIP 100K 5%	1/10W (C113V)	R58	1-216-097-11	RES,CHIP 100K 5%	1/10W
R2	1-216-017-11	RES,CHIP 47 5%	1/10W (C113V)	R59	1-216-097-11	RES,CHIP 100K 5%	1/10W
R5	1-216-025-11	RES,CHIP 100 5%	1/10W (C113V)	R60	1-216-097-11	RES,CHIP 100K 5%	1/10W
R6	1-216-097-11	RES,CHIP 100K 5%	1/10W (C113V)	R61	1-216-065-11	RES,CHIP 4.7K 5%	1/10W
R7	1-216-025-11	RES,CHIP 100 5%	1/10W (C113V)	R62	1-216-065-11	RES,CHIP 4.7K 5%	1/10W
R8	1-216-025-11	RES,CHIP 100 5%	1/10W (C113V)	R63	1-216-065-11	RES,CHIP 4.7K 5%	1/10W
R9	1-216-009-00	METAL CHIP 22 5%	1/10W (C113V)	R64	1-216-065-11	RES,CHIP 4.7K 5%	1/10W
R10	1-216-097-11	RES,CHIP 100K 5%	1/10W (C113V)	R66	1-216-081-00	METAL CHIP 22K 5%	1/10W
R11	1-216-025-11	RES,CHIP 100 5%	1/10W (C113V)	R67	1-216-057-00	METAL CHIP 2.2K 5%	1/10W (C113L)
R12	1-216-041-00	METAL CHIP 470 5%	1/10W (C113V)	R67	1-216-065-11	RES,CHIP 4.7K 5%	1/10W (C113V)
R13	1-216-065-11	RES,CHIP 4.7K 5%	1/10W (C113V)	R71	1-216-073-00	METAL CHIP 10K 5%	1/10W
R15	1-216-105-11	RES,CHIP 220K 5%	1/10W (C113V)	R72	1-216-073-00	METAL CHIP 10K 5%	1/10W
R16	1-216-001-00	METAL CHIP 10 5%	1/10W (C113V)	R73	1-216-001-00	METAL CHIP 10 5%	1/10W
R18	1-216-065-11	RES,CHIP 4.7K 5%	1/10W	R75	1-216-097-11	RES,CHIP 100K 5%	1/10W
R19	1-216-037-00	METAL CHIP 330 5%	1/10W	R76	1-216-097-11	RES,CHIP 100K 5%	1/10W
R20	1-216-081-00	METAL CHIP 22K 5%	1/10W (C113L)	R77	1-216-097-11	RES,CHIP 100K 5%	1/10W
R21	1-216-081-00	METAL CHIP 22K 5%	1/10W (C113V)	R78	1-216-097-11	RES,CHIP 100K 5%	1/10W
R22	1-216-089-11	RES,CHIP 47K 5%	1/10W (C113V)	R79	1-216-097-11	RES,CHIP 100K 5%	1/10W
R23	1-216-073-00	METAL CHIP 10K 5%	1/10W (C113V)	R80	1-216-097-11	RES,CHIP 100K 5%	1/10W
R26	1-216-105-11	RES,CHIP 220K 5%	1/10W	R81	1-216-097-11	RES,CHIP 100K 5%	1/10W
R27	1-216-121-11	RES,CHIP 1M 5%	1/10W (C113L)	R82	1-216-097-11	RES,CHIP 100K 5%	1/10W
R28	1-216-065-11	RES,CHIP 4.7K 5%	1/10W (C113L)	R83	1-216-097-11	RES,CHIP 100K 5%	1/10W
				R85	1-216-097-11	RES,CHIP 100K 5%	1/10W
				R86	1-216-097-11	RES,CHIP 100K 5%	1/10W
				R87	1-216-097-11	RES,CHIP 100K 5%	1/10W
				R88	1-216-097-11	RES,CHIP 100K 5%	1/10W
				R89	1-216-097-11	RES,CHIP 100K 5%	1/10W
				R90	1-216-097-11	RES,CHIP 100K 5%	1/10W
				R91	1-216-097-11	RES,CHIP 100K 5%	1/10W
				R92	1-216-097-11	RES,CHIP 100K 5%	1/10W
				R93	1-216-097-11	RES,CHIP 100K 5%	1/10W
				R101	1-216-174-00	RES,CHIP 100 5%	1/8W
				R108	1-216-021-00	METAL CHIP 68 5%	1/10W
				R109	1-216-065-11	RES,CHIP 4.7K 5%	1/10W (C113,C113L)

ICF-C113/C113L/C113V

MAIN

PRIMARY

SECONDARY

Ref. No.	Part No.	Description	Remark
R110	1-216-073-00	METAL CHIP 10K 5%	1/10W
R111	1-216-097-11	RES,CHIP 100K 5%	1/10W
R112	1-216-073-00	METAL CHIP 10K 5%	1/10W
R113	1-216-198-11	RES,CHIP 1K 5%	1/8W
R115	1-216-113-00	METAL CHIP 470K 5%	1/10W
R116	1-216-113-00	METAL CHIP 470K 5%	1/10W
R117	1-216-089-11	RES,CHIP 47K 5%	1/10W
R118	1-216-254-00	RES,CHIP 220K 5%	1/8W
R121	1-216-049-11	RES,CHIP 1K 5%	1/10W
R123	1-216-041-00	METAL CHIP 470 5%	1/10W

< SWITCH >

S1 1-692-181-31 SWITCH, SLIDE (BRIGHTNESS)

< TRANSFORMER >

T1 1-404-674-11 TRANSFORMER, IF (TV MIX) (C113V)

T2 1-404-790-11 TRANSFORMER, IF

< VARIABLE RESISTOR >

VR1 1-225-441-11 RES, VAR, CARBON 50K (VOLUME)

< CONNECTION CORD >

W2 1-782-537-11 CORD, CONNECTION

W5 1-783-719-11 CORD, CONNECTION

W6 1-783-718-11 CORD, CONNECTION

< VIBRATOR >

X50 1-767-517-11 VIBRATOR, CRYSTAL (75kHz)

* 1-668-528-11 PRIMARY BOARD (C113,C113V)

* 1-668-528-21 PRIMARY BOARD (C113L)

* 1-535-771-11 TERMINAL (C113,C113L)

* 1-668-529-11 SEDONDARY BOARD (C113,C113V)

* 1-668-529-21 SEDONDARY BOARD (C113L)

< CONNECTION, CORD >

W3 1-783-718-11 CORD, CONNECTION

MISCELLANEOUS

△ 14 1-555-795-00 CORD, POWER (C113:EXCEPT AUS/
C113L:AEP) (BLACK,SILVER)

△ 14 1-765-458-11 CORD, POWER (C113:AUS)

△ 14 1-769-339-22 CORD, POWER (C113V)

△ 14 1-769-578-11 CORD, POWER (C113L:UK)

△ 14 1-777-921-21 CORD, POWER (C113:EXCEPT AUS/
C113L:AEP) (WHITE)

* 17 1-535-771-11 TERMINAL (C113,C113L)

ANT1 1-501-907-21 ANTENNA, FM WIRE

LCD1 1-803-122-11 DISPLAY PANEL, LIQUID CRYSTAL

SP1 1-504-748-21 SPEAKER (6.6cm)

Ref. No.	Part No.	Description	Remark
△ T3	1-450-922-11	TRANSFORMER, POWER (C113V)	
△ T3	1-450-923-11	TRANSFORMER, POWER (C113,C113L)	
W2	1-782-537-11	CORD, CONNECTION	
W3	1-783-718-11	CORD, CONNECTION	
W5	1-783-719-11	CORD, CONNECTION	
W6	1-783-718-11	CORD, CONNECTION	

ACCESSORIES & PACKING MATERIALS

3-861-951-11 MANUAL, INSTRUCTION (ENGLISH, FRENCH,
GERMAN, DUTCH) (C113:AEP,Swiss,
AUS,C113L)

3-861-951-21 MANUAL, INSTRUCTION (ENGLISH) (C113V)

3-861-951-31 MANUAL, INSTRUCTION (SPANISH,
PORTUGUESE,SWEDISH, FINNISH) (C113:AEP)

3-861-951-41 MANUAL, INSTRUCTION (ENGLISH, ITALIAN,
SPANISH, CHINESE) (C113:Italian, E/
C113L:AEP)

3-861-951-51 MANUAL, INSTRUCTION (RUSSIAN, CZECH,
POLISH, HUNGALIAN) (C113:Swiss)

The components identified by mark △ or dotted line with mark △ are critical for safety. Replace only with part number specified.

Sony Corporation

Personal & Mobile Communication Company

— 24 —

9-925-933-11

98C0284-1

Printed in Japan © 1998.3

Published by Quality Assurance Dept.

ICF-C113/C113L/C113V

SONY[®]

SERVICE MANUAL

1998. 11

US Model
ICF-C113V

E Model
Australian Model
ICF-C113

UK Model
ICF-C113L

AEP Model
ICF-C113/C113L

SUPPLEMENT - 1

File this Supplement with the Service Manual.

Subject :

- 7CET MODEL HAS BEEN ADDED FOR ICF-C113L

The ICF-C113L (7CET model) is approximately the same as the ICF-C113L (AEP model).
Only difference between ICF-C113L (AEP model) and ICF-C113L (7CET model) are listed.
For other information, please refer to the previously issued ICF-C113/C113L/C113V service manual (9-925-933-11).

● DIFFERENCE TABLE

ACCESSORIES & PACKING MATERIALS

Page	ICF-C113L (AEP model)		ICF-C113L (7CET model)	
	Part No.	Description	Part No.	Description
24	3-861-951-11	MANUAL, INSTRUCTION (ENGLISH, FRENCH, GERMAN, DUTCH) (C113 : AEP, Swiss, AUS, C113L)	3-861-951-11	MANUAL, INSTRUCTION (ENGLISH, FRENCH, GERMAN, DUTCH) (C113 : AEP, Swiss, AUS, C113L)
	3-861-951-41	MANUAL, INSTRUCTION (ENGLISH, ITALIAN, SPANISH, CHINESE) (C113 : Italian, E/C113L : AEP)		
	3-861-951-51	MANUAL, INSTRUCTION (RUSSIAN, CZECH, POLISH, HUNGALIAN) (C113 : Swiss)	3-861-951-51	MANUAL, INSTRUCTION (RUSSIAN, CZECH, POLISH, HUNGALIAN) (C113 : Swiss/ C113L : 7CET)

- Except for the above, are identical to the ICF-C113L (SILVER) and ICF-C113L (AEP models).