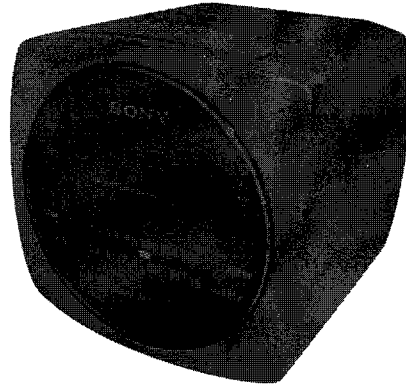


ICF-C160

SERVICE MANUAL

*US Model
Canadian Model
AEP Model
E Model
Australian Model*



SPECIFICATIONS

Frequency range

FM 87.5–108 MHz

AM 526.5–1606.5 kHz (Italian)

530–1605 kHz (EXCEPT Italian)

Speaker

Approx. 6.6 cm (2⁵/₈ inches) dia. 8 ohms

Power output

120 mW (at 10% harmonic distortion)

Power requirements

120 V AC, 60 Hz

For power backup: 9 V DC, one 6F22 battery

Battery life

Approx. 35 hours using the Sony S-006 P (U) battery

Dimensions

Approx. 120 × 124 × 132 mm (w/h/d)

(4³/₄ × 5 × 5¹/₄ inches) incl. projecting parts and controls

Mass

Approx. 660 g (1 lb 7.2 oz) not incl. battery

Design and specifications are subject to change without notice.

FEATURES

- Dual alarm
- Date display
- Full power backup function to keep the clock, the alarm (radio and buzzer) and the radio operation during a power interruption with a 6F22 battery (not supplied) installed

FM/AM CLOCK RADIO

SONY®



992398711

SECTION 1 SERVICING NOTE

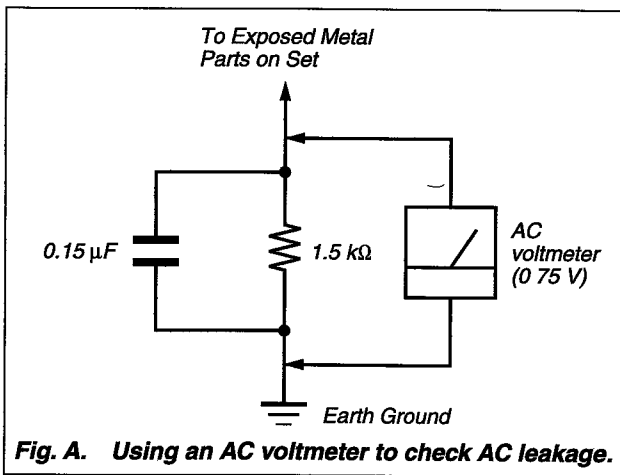
SAFETY CHECK-OUT

After correcting the original service problem, perform the following safety check before releasing the set to the customer. Check the antenna terminals, metal trim, "metallized" knobs, screws, and all other exposed metal parts for AC leakage. Check leakage as described below.

LEAKAGE TEST

The AC leakage from any exposed metal part to earth ground and from all exposed metal parts to any exposed metal part having a return to chassis, must not exceed 0.5 mA (500 microamperes). Leakage current can be measured by any one of three methods.

1. A commercial leakage tester, such as the Simpson 229 or RCA WT-540A. Follow the manufacturers' instructions to use these instruments.
2. A battery-operated AC milliammeter. The Data Precision 245 digital multimeter is suitable for this job.
3. Measuring the voltage drop across a resistor by means of a VOM or battery-operated AC voltmeter. The "limit" indication is 0.75 V, so analog meters must have an accurate low-voltage scale. The Simpson 250 and Sanwa SH-63Trd are examples of a passive VOM that is suitable. Nearly all battery-operated digital multimeters that have a 2 V AC range are suitable. (See Fig. A).



Note on chip component replacement

- Never reuse a disconnected chip component.
- Notice that the minus side of a tantalum capacitor may be damaged by heat.

SAFETY-RELATED COMPONENT WARNING!!

COMPONENTS IDENTIFIED BY MARK Δ OR DOTTED LINE WITH MARK Δ ON THE SCHEMATIC DIAGRAMS AND IN THE PARTS LIST ARE CRITICAL TO SAFE OPERATION. REPLACE THESE COMPONENTS WITH SONY PARTS WHOSE PART NUMBERS APPEAR AS SHOWN IN THIS MANUAL OR IN SUPPLEMENTS PUBLISHED BY SONY.

HOW TO CHANGE THE FM CERAMIC FILTERS

This model uses two ceramic filters of CF1 and CF3.

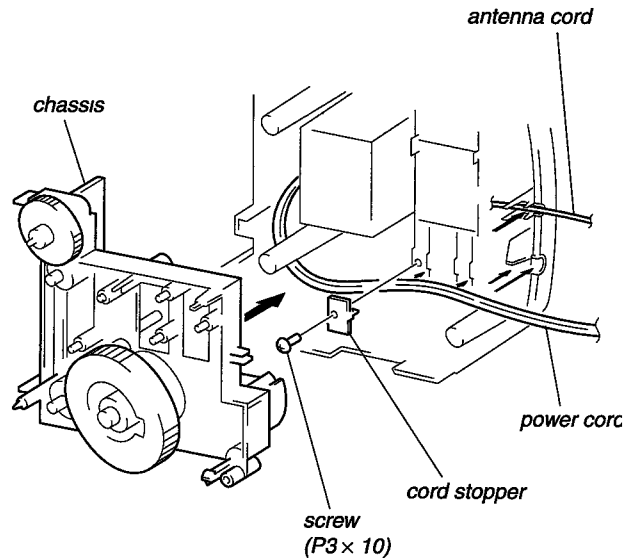
You must use the same type of color marked ceramic filters in order to meet the same specifications.

Therefore, the ceramic filter must be changed in two pieces together since its supply is two pieces in one package as a spare part.

	Mark 1	Mark 2	Center frequency
	red	—	10.70 MHz
	blue	—	10.67 MHz
	orange	—	10.73 MHz
	black	—	10.64 MHz
	white	—	10.76 MHz
	white	white	10.75 MHz
	yellow	—	10.79 MHz

CORD DRESSING (POWER, ANTENNA)

- 1) Connect the power cord and antenna cord as shown in the figure.
- 2) Mount the cord stopper with screws (P3 \times 10).
Note: Tighten completely the screws (P3 \times 10).

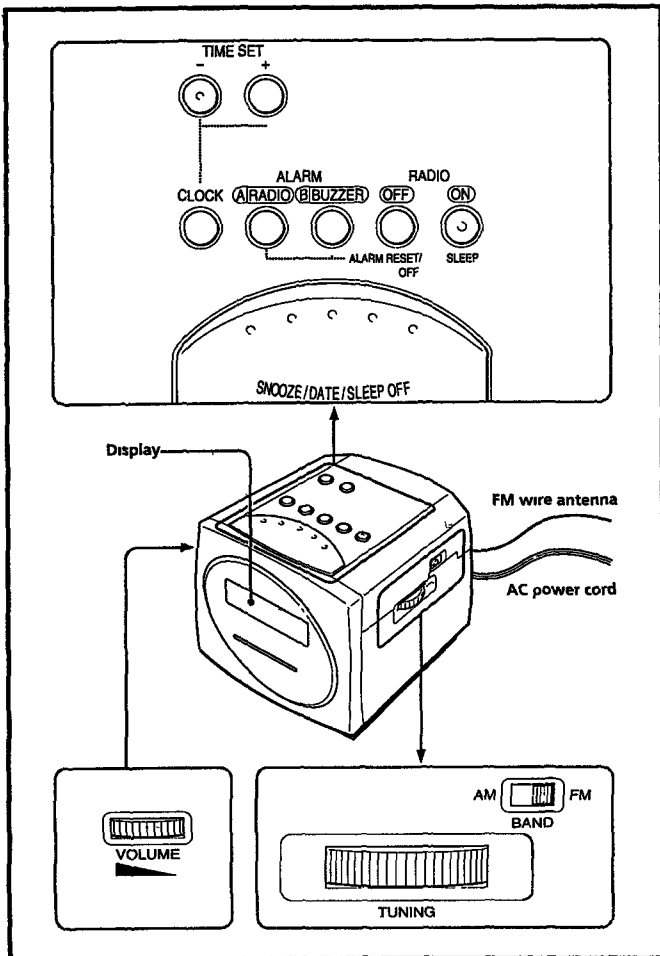


ATTENTION AU COMPOSANT AYANT RAPPORT À LA SÉCURITÉ!

LES COMPOSANTS IDENTIFIÉS PAR UNE MARQUE Δ SUR LES DIAGRAMMES SCHÉMATIQUES ET LA LISTE DES PIÈCES SONT CRITIQUES POUR LA SÉCURITÉ DE FONCTIONNEMENT. NE REMPLACER CES COMPOSANTS QUE PAR DES PIÈCES SONY DONT LES NUMÉROS SONT DONNÉS DANS CE MANUEL OU DANS LES SUPPLÉMENTS PUBLIÉS PAR SONY.

SECTION 2 GENERAL

This section is extracted from
instruction manual.



Installing the Battery

To keep good time, your Dream Machine needs one 6F22 battery (not supplied), in addition to house current. The battery keeps the clock operating in the event of a power interruption. Before setting the time on your Dream Machine, open the lid at the bottom of the unit, install the battery with correct polarity and then close the lid.

- After a power interruption, the displayed time may not be always correct (it may gain or lose about 10 minutes per hour)

Knowing When To Replace the Battery

- To check battery power, unplug the power cord from the wall outlet and plug it in again after a few minutes. If the displayed time is incorrect, replace the battery with a new one.

Setting the Clock and the Date

Setting the Clock

- Plug in the unit. The display will flash "AM 12 00"
- While holding down **CLOCK**, press **TIME SET +** or **-** until the correct time appears in the display. When you release **CLOCK**, the clock begins to operate.

- To set the current time rapidly, keep pressing the **+ or -** button while holding down **CLOCK**.

Setting the Date

- While holding down **SNOOZE/DATE/SLEEP OFF**, press **TIME SET +** or **-** until the correct date appears in the display. Then, release **SNOOZE/DATE/SLEEP OFF**.

- To display the date, press **SNOOZE/DATE/SLEEP OFF**. The display returns to the current time when you release **SNOOZE/DATE/SLEEP OFF**.

Playing the Radio

- Press **RADIO ON** to turn on the radio.
- Select **FM** or **AM** using **BAND**.
- Tune in a station using **TUNING**.
- Adjust **VOLUME** to adjust the volume.

- To turn off the radio, press **RADIO OFF**.
- To improve radio reception:
 - FM** Extend the FM wire antenna fully to improve reception.
 - AM** Rotate the unit horizontally for optimum reception. A ferrite bar antenna is built into the unit.

Setting the Alarm

To set the radio alarm, first tune in a station and adjust the volume.

- While holding down **ALARM A/RADIO** (for the radio) or **B/BUZZER** (for the buzzer), press **TIME SET +** or **-** until the desired time appears in the display. When you release **ALARM A** or **B**, the **ALARM A** or **B** indicator stops flashing and lights up, and the current time appears in the display. The alarm will come on at the preset time and automatically turn itself off after 59 minutes.

- If you set **ALARM A** and **ALARM B** at the same desired time, only **ALARM A** will work.
- To shut off the alarm, press **RADIO OFF*ALARM RESET/OFF**.

The alarm will come on at the preset time the next day.

- To cancel either alarm, while holding down the **ALARM A** or **ALARM B** button, press **RADIO OFF*ALARM RESET/OFF**.
- To check the preset time, press **ALARM A** or **B**.

To Doze a Few More Minutes

- Press **SNOOZE/DATE/SLEEP OFF**. The radio or buzzer will shut off but will automatically come on again after about 6 minutes. You can repeat this process as many times as you like.

- You can reset the alarm time while activating the snooze function.

To Use Both Sleep Timer and Alarm Function

You can fall asleep to the radio sound and you will be awakened by the radio/buzzer alarm at the preset time.

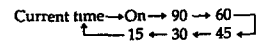
- Set the alarm (See "Setting the Alarm").
- Set the sleep timer (See "Setting the Sleep Timer").

Setting the Sleep Timer

Enjoy falling asleep to the radio using the built-in sleep timer that shuts off the radio automatically at a preset time.

1 Press RADIO ON/SLEEP

The radio turns on. It will go off after the preset time has passed. You can set the sleep timer of 90, 60, 45, 30 or 15 minutes. Every push changes the display as follows:



The radio will play for the time you set, then shut off.

- To turn off the radio before the preset time, press **SNOOZE/DATE/SLEEP OFF**.

Precautions

- Operate the unit on the power sources specified in "Specifications".
- To disconnect the power cord, pull it out by the plug, not the cord.
- Do not place the unit on surfaces (rugs, blankets, etc.) or near materials (curtains, draperies) that block the ventilation holes.
- Should anything fall into the unit, unplug the unit and have it checked by qualified personnel before operating it further.
- To clean the casing, use a soft cloth dampened with a mild detergent solution.

Battery Warning

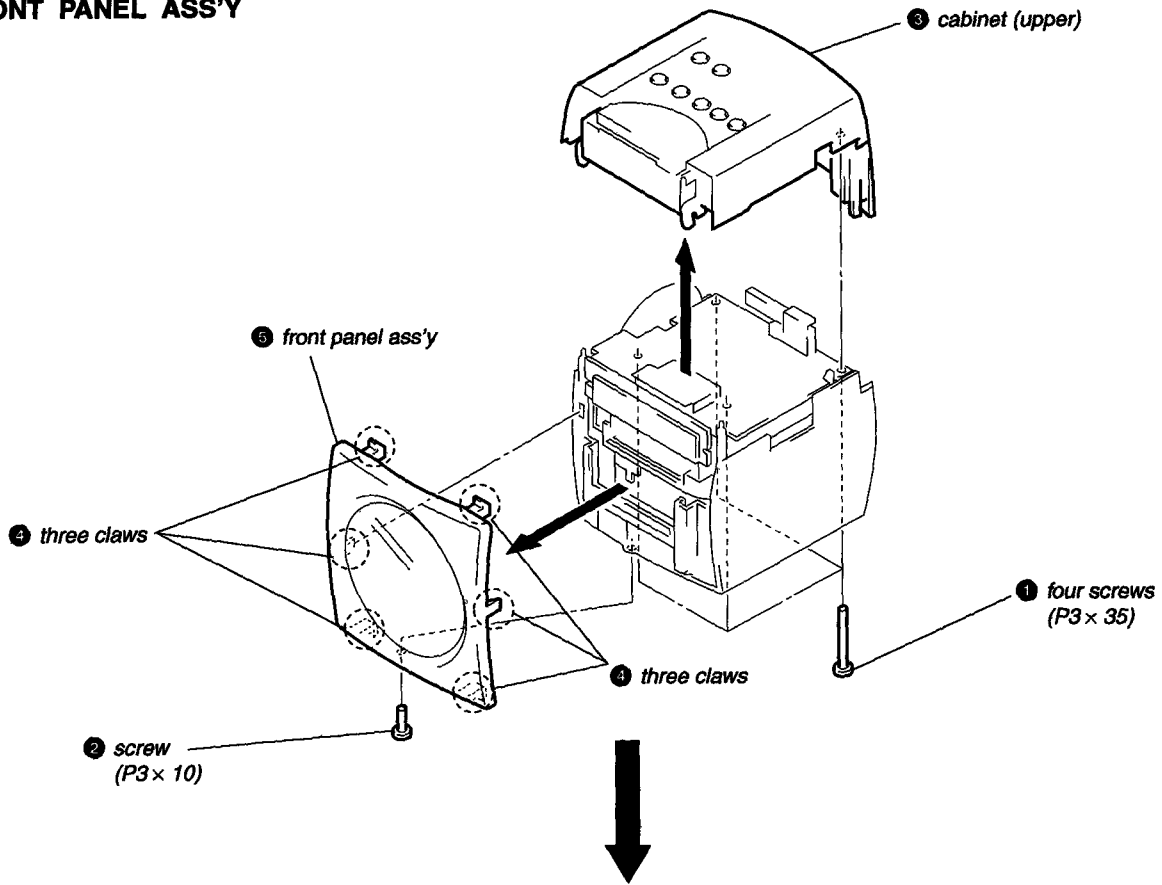
When the unit will be left unplugged for a long time, remove the battery to avoid undue battery discharge and damage to the unit from battery leakage.

If you have any questions or problems concerning your unit please consult your nearest Sony dealer.

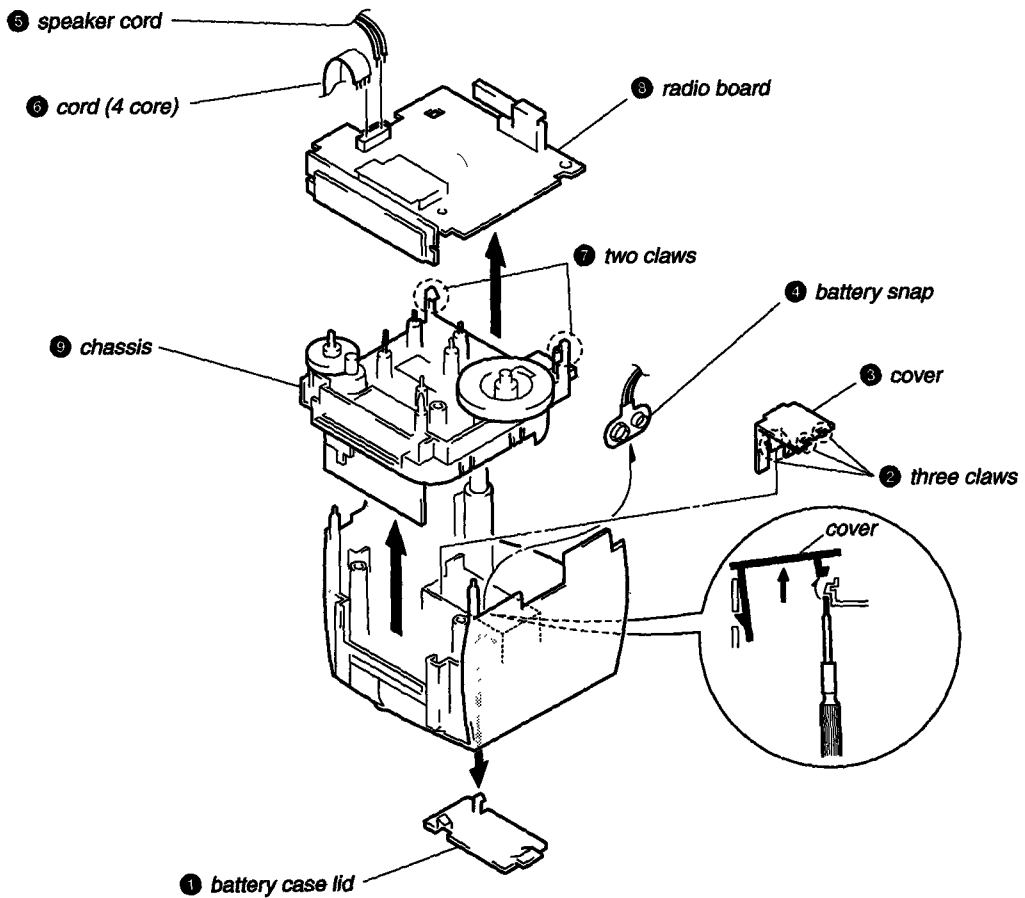
SECTION 3 DISASSEMBLY

Note: Follow the disassembly procedure in the numerical order given.

FRONT PANEL ASS'Y

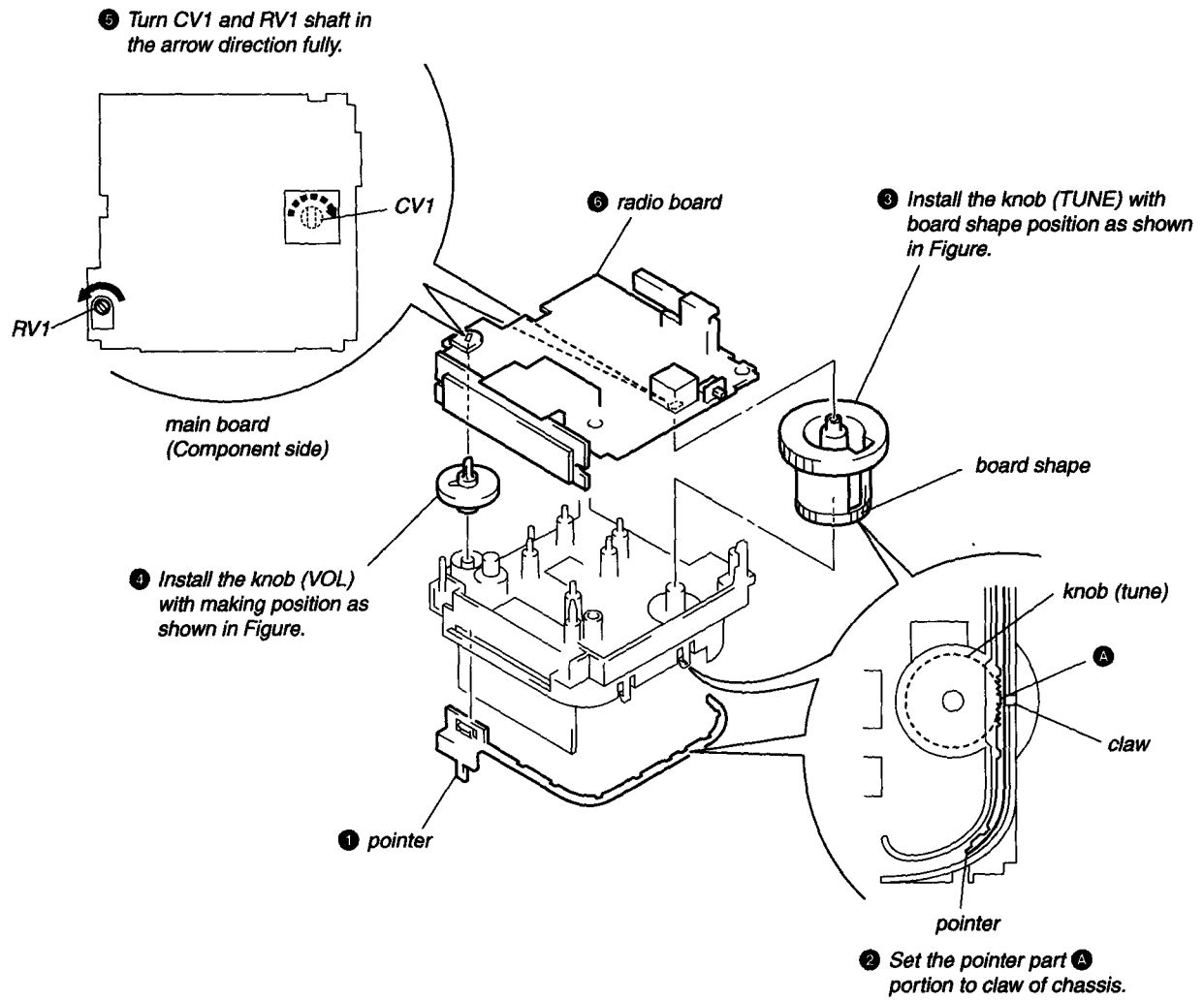


MAIN BOARD, CHASSIS



SECTION 4 DIAL POINTER SETTING

Note: Follow the assembly procedure in the numerical order given.

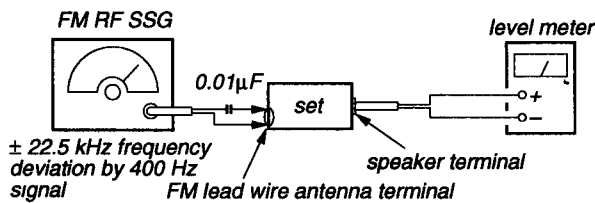


SECTION 5 ELECTRICAL ADJUSTMENTS

[FM]

Setting:

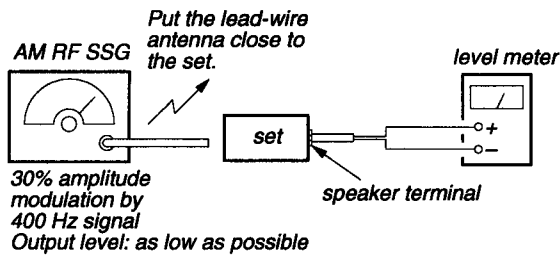
BAND switch: FM



[AM]

Setting:

BAND switch: AM



Repeat the procedures in each adjustment several times, and the frequency coverage and tracking adjustments should be finally done by the trimmer capacitors.

() : Italian model

FM FREQUENCY COVERAGE ADJUSTMENT	
Adjust for a maximum reading on level meter.	
L4	CT4
86.5 MHz (87.35 MHz)	109.5 Hz (108.25 MHz)

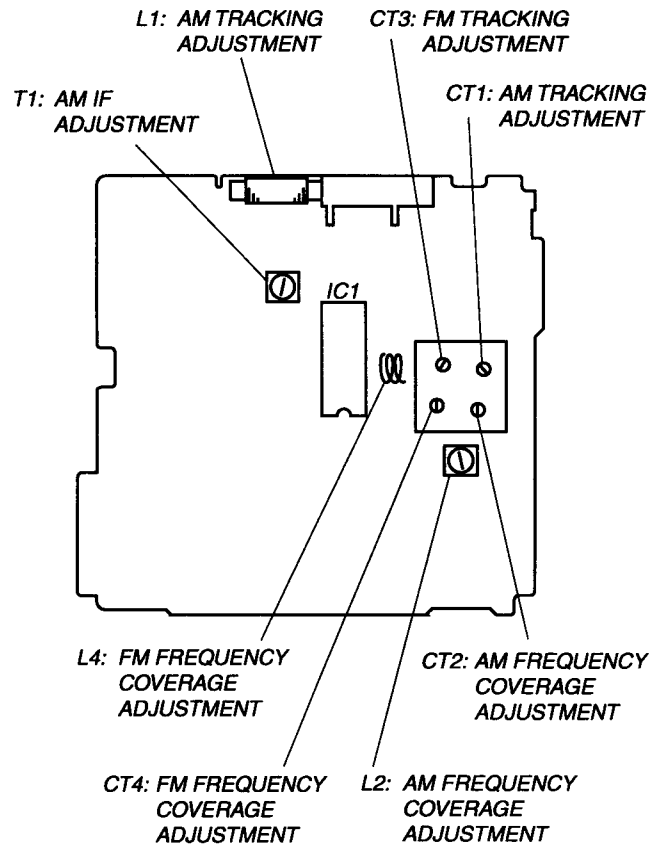
FM TRACKING ADJUSTMENT	
Adjust for a maximum reading on level meter.	
CT3	
Frequency max	

AM FREQUENCY COVERAGE ADJUSTMENT	
Adjust for a maximum reading on level meter.	
L2	CT2
520 kHz (516.5 kHz)	1,650 kHz (1631.5 kHz)

AM TRACKING ADJUSTMENT	
Adjust for a maximum reading on level meter.	
L1	CT1
600 kHz	1,400 kHz

AM IF ADJUSTMENT	
Adjust for a maximum reading on level meter.	
T1	
455 kHz	

• **Adjusting Location: RADIO board (Component Side)**

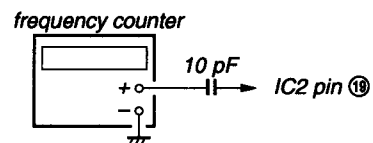


Clock Frequency Check

Confirm that the reading on the frequency counter is 4800 ± 400 Hz.

If frequency is higher, change capacitor value of C27.

If frequency is lower, change resistor value of R8.



SECTION 7 EXPLODED VIEWS

NOTE:

- -XX and -X mean standardized parts, so they may have some difference from the original one.

• Color Indication of Appearance Parts

Example:

KNOB, BALANCE (WHITE) . . . (RED)

↑ ↑
 Parts Color Cabinet's Color

• Abbreviation

CND : Canadian IT . Italian

SP : Singapore AUS · Australian

- Items marked "*" are not stocked since they are seldom required for routine service. Some delay should be anticipated when ordering these items

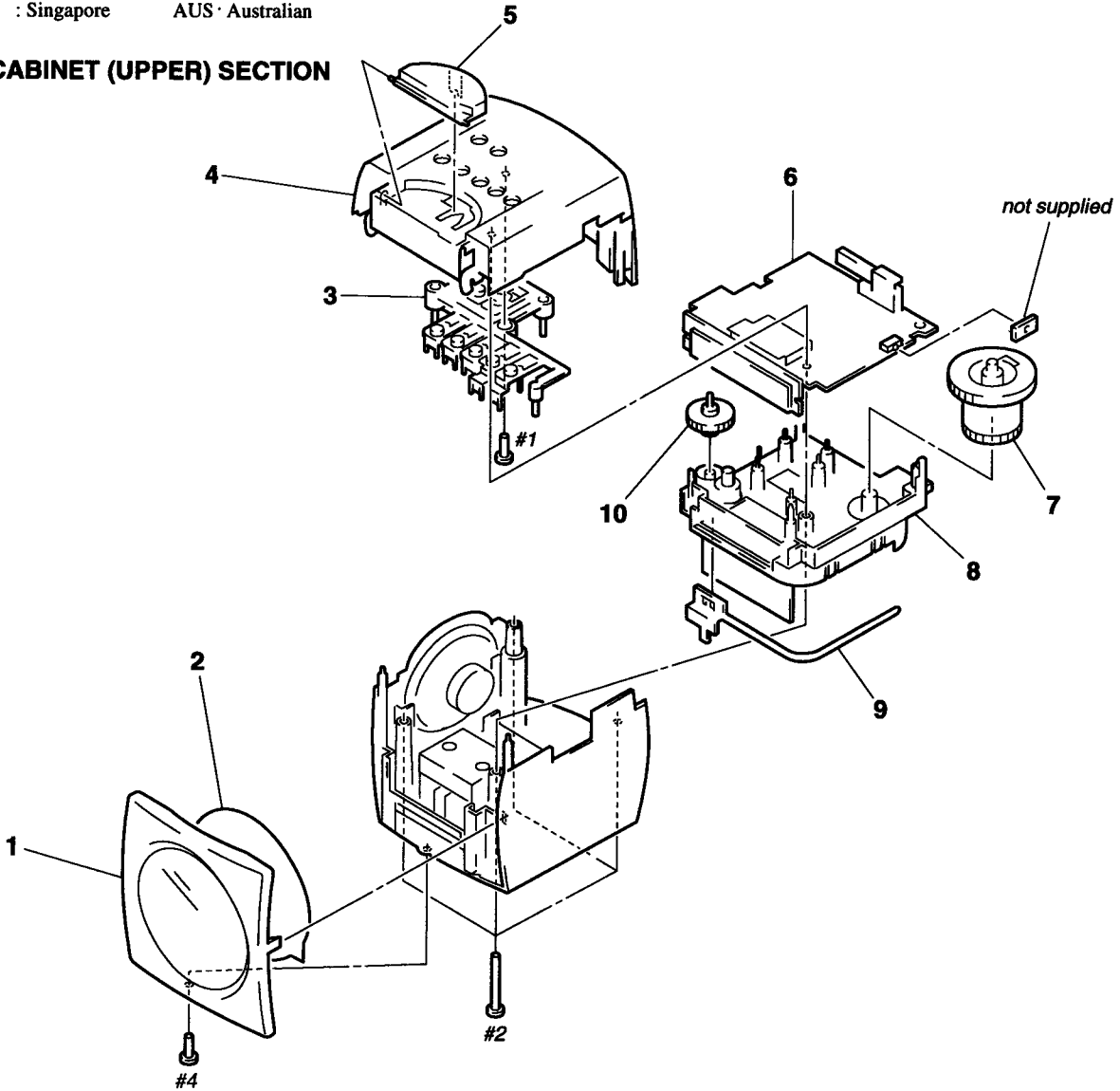
- The mechanical parts with no reference number in the exploded views are not supplied

- Hardware (# mark) list and accessories and packing materials are given in the last of the electrical parts list.

The components identified by mark Δ or dotted line with mark Δ are critical for safety. Replace only with part number specified

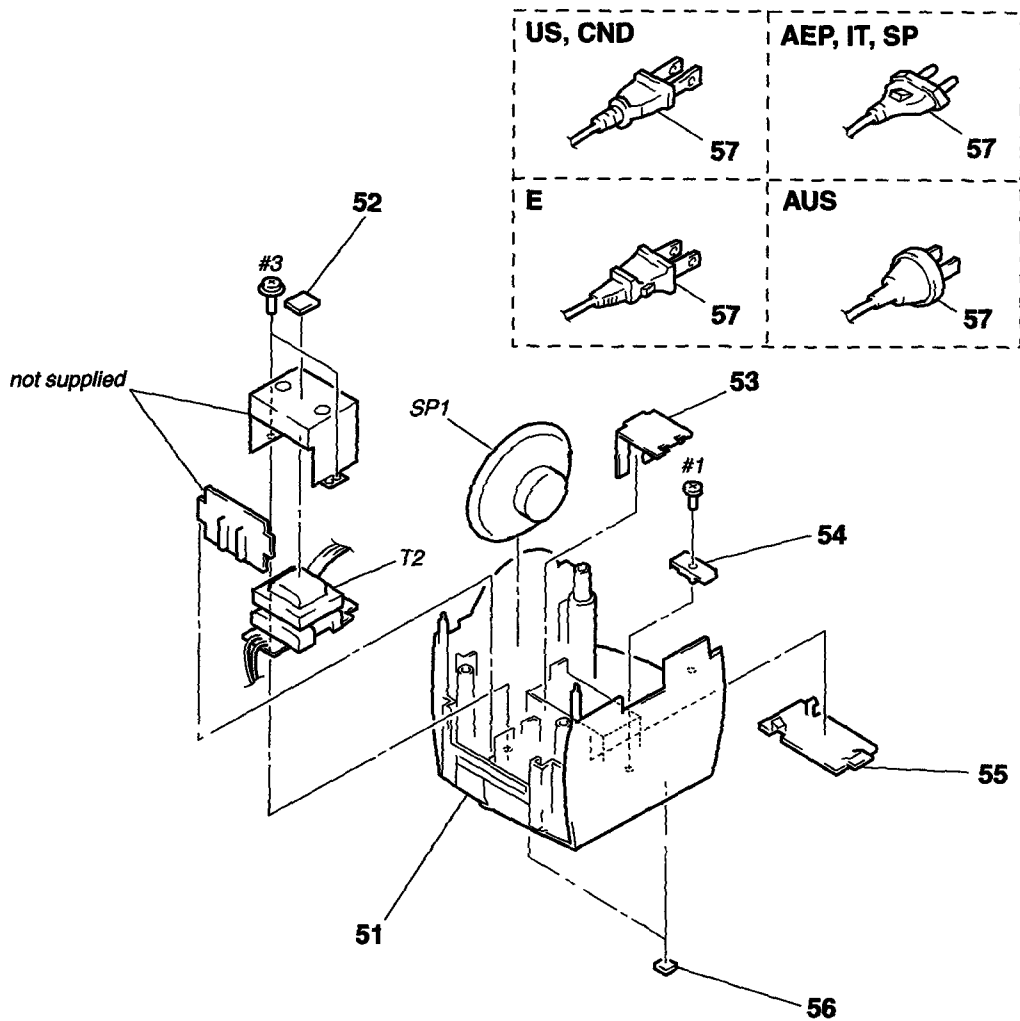
Les composants identifiés par une marque Δ sont critiques pour la sécurité. Ne les remplacer que par une pièce portant le numéro spécifié.

(1) CABINET (UPPER) SECTION



Ref. No.	Part No.	Description	Remark	Ref. No.	Part No.	Description	Remark
1	X-3373-826-1	PANEL ASSY, FRONT (BLACK)		5	3-011-572-01	BUTTON (SNOOZE) (SNOOZE/DATE/SLEEP OFF) (BLACK)	
1	X-3373-827-1	PANEL ASSY, FRONT (WHITE)		5	3-011-572-11	BUTTON (SNOOZE) (SNOOZE/DATE/SLEEP OFF) (WHITE)	
1	X-3373-828-1	PANEL ASSY, FRONT (SILVER)		5	3-011-572-21	BUTTON (SNOOZE) (SNOOZE/DATE/SLEEP OFF) (SILVER)	
2	3-011-578-01	SCALE, DIAL (US, CND, E)		* 6	A-3679-888-A	RADIO BOARD, COMPLETE (US, CND, E)	
2	3-011-578-11	SCALE, DIAL (AEP, SP, AUS)		* 6	A-3679-889-A	RADIO BOARD, COMPLETE (AEP, SP)	
2	3-011-578-41	SCALE, DIAL (IT)		* 6	A-3679-901-A	RADIO BOARD, COMPLETE (IT)	
3	3-011-569-01	BUTTON (BLACK)		* 6	A-3679-902-A	RADIO BOARD, COMPLETE (AUS)	
3	3-011-569-11	BUTTON (WHITE)		7	3-013-863-01	KNOB (TUNE)	
3	3-011-569-21	BUTTON (SILVER)		* 8	3-011-574-01	CHASSIS	
4	3-011-566-01	CABINET (UPPER) (BLACK) (US, CND, E)		9	3-011-575-01	POINTER	
4	3-011-566-11	CABINET (UPPER) (WHITE) (US, CND, E)		10	3-919-268-01	KNOB (VOL)	
4	3-011-566-21	CABINET (UPPER) (SILVER) (US, CND, E)					
4	3-011-566-31	CABINET (UPPER) (BLACK) (AEP, IT, SP, AUS)					
4	3-011-566-41	CABINET (UPPER) (WHITE) (AEP, IT, SP, AUS)					
4	3-011-566-51	CABINET (UPPER) (SILVER) (AEP, IT, SP, AUS)					

(2) CABINET (LOWER) SECTION



<p>The components identified by mark Δ or dotted line with mark Δ are critical for safety. Replace only with part number specified.</p>	<p>Les composants identifiés par une marque Δ sont critiques pour la sécurité. Ne les remplacer que par une pièce portant le numéro spécifié.</p>
---	---

<u>Ref. No.</u>	<u>Part No.</u>	<u>Description</u>	<u>Remark</u>	<u>Ref. No.</u>	<u>Part No.</u>	<u>Description</u>	<u>Remark</u>
51	3-011-567-01	CABINET (LOWER) (BLACK)		56	3-368-852-01	FOOT	
51	3-011-567-11	CABINET (LOWER) (WHITE)		Δ 57	1-551-958-21	CORD, POWER (AEP, IT, SP)	
51	3-011-567-21	CABINET (LOWER) (SILVER)		Δ 57	1-765-458-11	CORD, POWER (AUS)	
52	3-016-158-01	CUSHION		Δ 57	1-769-339-11	CORD, POWER (US, CND)	
* 53	3-011-576-01	COVER (BLACK)		Δ 57	1-769-339-21	CORD, POWER (E)	
* 53	3-011-576-11	COVER (WHITE)		SP1	1-504-748-21	SPEAKER (6.6CM)	
* 53	3-011-576-21	COVER (SILVER)		Δ T2	1-429-460-11	TRANSFORMER, POWER (US, CND, E)	
* 54	3-884-408-00	STOPPER, CORD		Δ T2	1-429-461-11	TRANSFORMER, POWER (AEP, IT, SP, AUS)	
55	3-369-135-21	LID, BATTERY CASE					

SECTION 8 ELECTRICAL PARTS LIST

RADIO

NOTE:

- Due to standardization, replacements in the parts list may be different from the parts specified in the diagrams or the components used on the set
- -XX and -X mean standardized parts, so they may have some difference from the original one
- RESISTORS
All resistors are in ohms
METAL Metal-film resistor
METAL OXIDE Metal oxide-film resistor
F nonflammable
- Abbreviation
CND Canadian IT Italian SP Singapore AUS Australian

- Items marked "*" are not stocked since they are seldom required for routine service
Some delay should be anticipated when ordering these items
- SEMICONDUCTORS
In each case, u μ, for example
uA μA uPA μPA
uPB μPB uPC μPC
uPD μPD
- CAPACITORS
uF μF
- COILS
uH μH

When indicating parts by reference number, please include the board

The components identified by mark Δ or dotted line with mark Δ are critical for safety
Replace only with part number specified

Les composants identifiés par une marque Δ sont critiques pour la sécurité
Ne les remplacer que par une pièce portant le numéro spécifié

Ref No	Part No	Description	Remark	Ref No	Part No	Description	Remark
*	A-3679-888-A	RADIO BOARD, COMPLETE	(US, CND, E)	C36	1-126-926-11	ELECT	1000uF 20% 10V
*	A-3679-889-A	RADIO BOARD, COMPLETE	(AEP, SP)	C37	1-126-934-11	ELECT	220uF 20% 16V
*	A-3679-901-A	RADIO BOARD, COMPLETE	(IT)	C38	1-163-031-11	CERAMIC CHIP	0 01uF 50V
*	A-3679-902-A	RADIO BOARD, COMPLETE	(AUS)	C39	1-163-031-11	CERAMIC CHIP	0 01uF 50V
		*****		C44	1-163-037-11	CERAMIC CHIP	0 022uF 10% 25V
	1-535-804-11	SNAP, BATTERY		C45	1-163-106-00	CERAMIC CHIP	36PF 5% 50V
	3-922-610-01	HOLDER (ANTENNA)		C46	1-163-102-00	CERAMIC CHIP	24PF 5% 50V
*	1-535-771-11	TERMINAL (AEP, IT, SP, AUS)				< FILTER >	
		< CAPACITOR >		CF1	1-579-632-51	FILTER, CERAMIC	
C1	1-163-235-11	CERAMIC CHIP	22PF 5% 50V	CF2	1-577-072-11	FILTER, CERAMIC	
C2	1-163-220-11	CERAMIC CHIP	3PF 0 25PF50V	CF3	1-579-632-51	FILTER, CERAMIC	
C3	1-163-089-00	CERAMIC CHIP	6PF 50V			< CONNECTOR >	
C5	1-163-235-11	CERAMIC CHIP	22PF 5% 50V	* CN701	1-568-272-11	SOCKET, CONNECTOR 6P	
C6	1-163-103-00	CERAMIC CHIP	27PF 5% 50V			< VARIABLE CAPACITOR >	
			(EXCEPT IT)	CT1-4	1-141-523-11	CAP, VAR	
C6	1-163-105-00	CERAMIC CHIP	33PF 5% 50V (IT)	CV1	1-141-523-11	CAP, VAR (TUNING)	
C9	1-128-551-11	ELECT	22uF 20% 25V			< DIODE >	
C10	1-164-232-11	CERAMIC CHIP	0 01uF 50V	D1	8-719-911-19	DIODE 1SS119	
C11	1-163-031-11	CERAMIC CHIP	0 01uF 50V	D2	8-719-911-19	DIODE 1SS119	
C12	1-126-960-11	ELECT	1uF 20% 50V	D3	8-719-109-84	DIODE RD5 1ES-B1	
C13	1-163-031-11	CERAMIC CHIP	0 01uF 50V	D4	8-719-911-19	DIODE 1SS119	
C14	1-126-963-11	ELECT	4 7uF 20% 50V	D5	8-719-052-88	DIODE 1N4002	
C15	1-126-964-11	ELECT	10uF 20% 50V	D6	8-719-911-19	DIODE 1SS119	
C16	1-163-037-11	CERAMIC CHIP	0 022uF 10% 25V			< IC >	
C17	1-164-005-11	CERAMIC CHIP	0 47uF 25V	IC1	8-752-037-02	IC CXA1019S	
C18	1-128-551-11	ELECT	22uF 20% 25V	IC2	8-759-193-05	IC LC85632	
C20	1-164-346-11	CERAMIC CHIP	1uF 16V			< JUMPER RESISTOR >	
C21	1-164-346-11	CERAMIC CHIP	1uF 16V	JC1	1-216-295-00	CONDUCTOR, CHIP (2012) (AUS)	
C22	1-164-346-11	CERAMIC CHIP	1uF 16V	JC2	1-216-295-00	CONDUCTOR, CHIP (2012) (AEP, IT, SP)	
C23	1-126-923-11	ELECT	220uF 20% 10V	JC3	1-216-295-00	CONDUCTOR, CHIP (2012) (US, CND, E)	
C24	1-163-038-00	CERAMIC CHIP	0 1uF 25V	JC4	1-216-295-00	CONDUCTOR, CHIP (2012) (AEP, IT, SP, AUS)	
C25	1-163-031-11	CERAMIC CHIP	0 01uF 50V	JC5	1-216-295-00	CONDUCTOR, CHIP (2012)	
C26	1-126-923-11	ELECT	220uF 20% 10V	JC6	1-216-295-00	CONDUCTOR, CHIP (2012)	
C27	1-163-017-00	CERAMIC CHIP	0 0047uF 5% 50V				
C28	1-163-009-11	CERAMIC CHIP	0 001uF 10% 50V				
C29	1-163-038-00	CERAMIC CHIP	0 1uF 25V				
C30	1-163-009-11	CERAMIC CHIP	0 001uF 10% 50V				
C31	1-163-009-11	CERAMIC CHIP	0 001uF 10% 50V				
C32	1-164-232-11	CERAMIC CHIP	0 01uF 50V				
C33	1-164-346-11	CERAMIC CHIP	1uF 16V				
C34	1-163-031-11	CERAMIC CHIP	0 01uF 50V				
C35	1-163-031-11	CERAMIC CHIP	0 01uF 50V				

RADIO

Ref No	Part No	Description	Remark
< DISPLAY LED >			
LED101	1-810-027-11	DIODE OHC-605CA (US, CND, E)	
LED101	1-810-027-21	DIODE OHC-605CE (AEP, IT, SP, AUS)	
< FERRITE-ROD ANTENNA >			
L1	1-501-765-11	ANTENNA, FERRITE-ROD (US, CND, E)	
L1	1-501-765-11	ANTENNA, FERRITE-ROD (AEP, IT, SP, AUS)	
< COIL >			
L2	1-406-028-00	COIL, OSC (MW)	
L4	1-428-222-11	COIL, AIR-CORE (EXCEPT IT)	
L4	1-406-425-11	COIL (IT)	
< TRANSISTOR >			
Q1	8-729-119-76	TRANSISTOR 2SA1175-HFE	
Q2	8-729-011-92	TRANSISTOR 2SC2001TP-K1K2	
Q5	8-729-119-76	TRANSISTOR 2SA1175-HFE (US, CND, E)	
< RESISTOR >			
R1	1-216-017-00	METAL GLAZE 47 5% 1/10W	
R2	1-216-037-00	METAL CHIP 330 5% 1/10W	
R3	1-216-057-00	METAL CHIP 2 2K 5% 1/10W	
R4	1-216-097-00	METAL GLAZE 100K 5% 1/10W	
R5	1-216-065-00	METAL CHIP 4 7K 5% 1/10W	
R6	1-216-049-00	METAL GLAZE 1K 5% 1/10W	
R7	1-216-071-00	METAL CHIP 8 2K 5% 1/10W	
R8	1-216-093-00	METAL CHIP 68K 5% 1/10W	
R9	1-216-097-00	METAL GLAZE 100K 5% 1/10W	
R10	1-216-073-00	METAL CHIP 10K 5% 1/10W	
R11	1-216-073-00	METAL CHIP 10K 5% 1/10W	
R12	1-216-113-00	METAL CHIP 470K 5% 1/10W	
R13	1-216-049-00	METAL GLAZE 1K 5% 1/10W	
R15	1-216-073-00	METAL CHIP 10K 5% 1/10W	
R16	1-216-073-00	METAL CHIP 10K 5% 1/10W	
< VARIABLE RESISTOR >			
RV1	1-228-790-00	RES, VAR, CARBON 50K (VOLUME)	
< SWITCH >			
S1	1-692-181-21	SWITCH, SLIDE (BAND)	
S2	1-554-303-21	SWITCH, TACTILE (TIME SET +)	
S3	1-554-303-21	SWITCH, TACTILE (TIME SET -)	
S4	1-554-303-21	SWITCH, TACTILE (CLOCK)	
S5	1-554-303-21	SWITCH, TACTILE (A RADIO)	
S6	1-554-303-21	SWITCH, TACTILE (B BUZZER)	
S7	1-554-303-21	SWITCH, TACTILE (RADIO OFF • ALARM RESET/OFF)	
S8	1-554-303-21	SWITCH, TACTILE (RADIO ON • SLEEP)	
S9	1-554-303-21	SWITCH, TACTILE (SNOOZE/DATA/SLEEP OFF)	
< TRANSFORMER >			
T1	1-404-790-11	TRANSFORMER, IF	

Ref No	Part No	Description	Remark
< FLAT CABLE >			
W701	1-777-242-11	CORD, CONNECTION	
* W703	1-776-983-11	CORD, CONNECTION	

MISCELLANEOUS			

△ 16	1-551-958-21	CORD, POWER (AEP, IT, SP)	
△ 16	1-765-458-11	CORD, POWER (AUS)	
△ 16	1-769-339-11	CORD, POWER (US, CND)	
△ 16	1-769-339-21	CORD, POWER (E)	
SP1	1-504-748-21	SPEAKER (6 6CM)	
△ T2	1-429-460-11	TRANSFORMER, POWER (US, CND, E)	
△ T2	1-429-461-11	TRANSFORMER, POWER (AEP, IT, SP, AUS)	

HARDWARE LIST			

#1	7-685-647-79	SCREW +P 3X10 TYPE2 NON-SLIT	
#2	7-685-154-19	SCREW +P 3X35 TYPE2 NON-SLIT	
#3	7-685-903-31	SCREW +PTPWH 3X10 (TYPE2)	
#4	7-685-147-14	SCREW +P 3X10 TYPE2 NON-SLIT	

ACCESSORIES & PACKING MATERIALS			

3-859-468-11	MANUAL, INSTRUCTION (ENGLISH, FRENCH, GERMAN, ITALIAN, DUTCH) (CND, AEP, E, IT, SP, AUS)		
3-859-468-21	MANUAL, INSTRUCTION (ENGLISH) (US)		
3-859-468-31	MANUAL, INSTRUCTION (SPANISH, PORTUGUESE, SWEDISH, CHINESE) (AEP, SP)		
3-859-468-41	MANUAL, INSTRUCTION (DANISH, FINNISH) (AEP)		

The components identified by mark △ or dotted line with mark △ are critical for safety. Replace only with part number specified.	Les composants identifiés par une marque △ sont critiques pour la sécurité. Ne les remplacer que par une pièce portant le numéro spécifié.
--	--