

# ICF-C760/C760L

## SERVICE MANUAL

US Model  
Canadian Model  
UK Model  
ICF-C760  
AEP Model  
ICF-C760/C760L

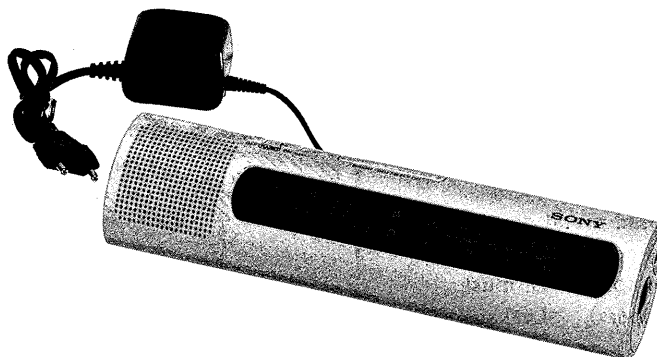


Photo : ICF-C760 : AEP, G, IT model

### SPECIFICATIONS

#### Time display:

US, CND, UK model: 12-hour system

AEP, G, IT model : 24-hour system

#### Frequency range:

US, CND model	Band	ICF-C760	ICF-C760L
	FM	87.6 – 108 MHz	—
AM	530 – 1,610 kHz	—	
IT model	FM	87.5 – 108 MHz	—
	AM	526.5 – 1,606.5 kHz	—
AEP, G, UK model	FM	87.6 – 107.5 MHz	87.6 – 107.5 MHz
	AM	531 – 1,602 kHz	—
	LW	—	153 – 255 kHz

#### Intermediate frequency:

FM: 10.7 MHz, AM: 455 kHz

**Speaker:** Approx. 5.7cm (2 1/4 inches) dia.

**Power output:** 120 mW (at 10% harmonic distortion)

#### Power requirements:

US, CND model : 120V AC, 60Hz

UK model : 240V AC, 50Hz

AEP, G, IT model: 220–230V AC, 50Hz

For power backup: 9 V DC, one 6F22 battery

**Battery life:** Approx. 36 hours using the Sony S-006P(U) battery

**Dimensions:** Approx. 271 × 63 × 68 mm (w/h/d)  
(10 3/4 × 2 1/2 × 2 3/4 inches) not incl. projecting parts and controls

**Mass:** Approx. 550 g (1lb 3 oz) not incl. battery

Design and specifications are subject to change without notice.

#### Note

This appliance conforms with EEC Directive 87/308/EEC regarding interference suppression.

### Features

- Dual alarm
- Date display
- Display with adjustable brightness
- Adjustable legs to change the angle of the unit
- Forward/reverse time setting
- Full power backup to keep the clock operating during a power interruption with a 6F22 battery (not supplied) installed (For models other than the US, CND model, the power back up is only for the clock.)

#### • Abbreviations

CND: Canadian model

G : German model

IT : Italian model

FM/AM CLOCK RADIO  
ICF-C760

FM/LW CLOCK RADIO  
ICF-C760L

SONY®



## SAFETY CHECK-OUT (US Model)

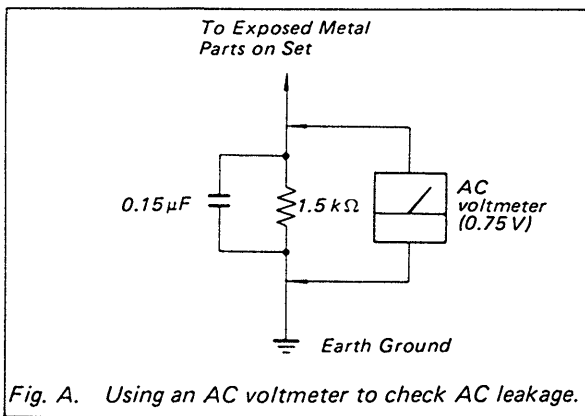
After correcting the original service problem, perform the following safety check before releasing the set to the customer:

Check the antenna terminals, metal trim, "metallized" knobs, screws, and all other exposed metal parts for AC leakage. Check leakage as described below.

### LEAKAGE TEST

The AC leakage from any exposed metal part to earth ground and from all exposed metal parts to any exposed metal part having a return to chassis, must not exceed 0.5 mA (500 microamperes). Leakage current can be measured by any one of three methods.

1. A commercial leakage tester, such as the Simpson 229 or RCA WT-540A. Follow the manufacturers' instructions to use these instruments.
2. A battery-operated AC milliammeter. The Data Precision 245 digital multimeter is suitable for this job.
3. Measuring the voltage drop across a resistor by means of a VOM or battery-operated AC voltmeter. The "limit" indication is 0.75 V, so analog meters must have an accurate low-voltage scale. The Simpson 250 and Sanwa SH-63Trd are examples of a passive VOM that is suitable. Nearly all battery operated digital multimeters that have a 2 V AC range are suitable. (See Fig. A)



#### SAFETY-RELATED COMPONENT WARNING!!

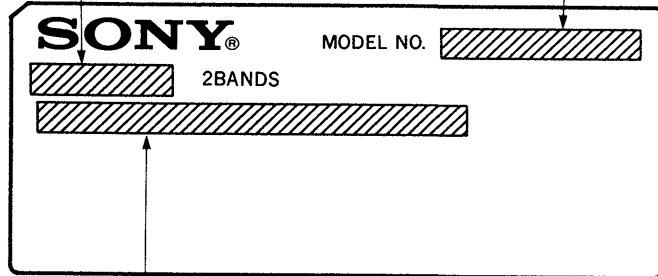
COMPONENTS IDENTIFIED BY MARK OR DOTTED LINE WITH MARK ON THE SCHEMATIC DIAGRAMS AND IN THE PARTS LIST ARE CRITICAL TO SAFE OPERATION. REPLACE THESE COMPONENTS WITH SONY PARTS WHOSE PART NUMBERS APPEAR AS SHOWN IN THIS MANUAL OR IN SUPPLEMENTS PUBLISHED BY SONY.

## MODEL IDENTIFICATION

—Model Number label—

Carved on cabinet (rear)

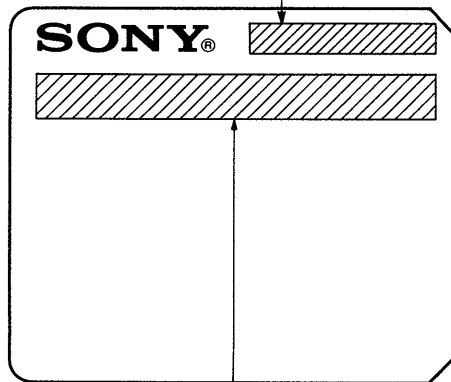
ICF-C760 : FM/AM      US, CND, AEP, UK, G, IT model: ICF-C760  
 ICF-C760L: FM/LW      AEP model      : ICF-C760L



US, CND model: AC: 120V~60Hz 5W

Model number label

AEP, UK, G, IT model: ICF-C760  
 AEP model      : ICF-C760L



AEP, G, IT model: AC: 220—230V~50Hz 5W  
 UK model      : AC: 240V~50Hz 5W

#### • Abbreviations

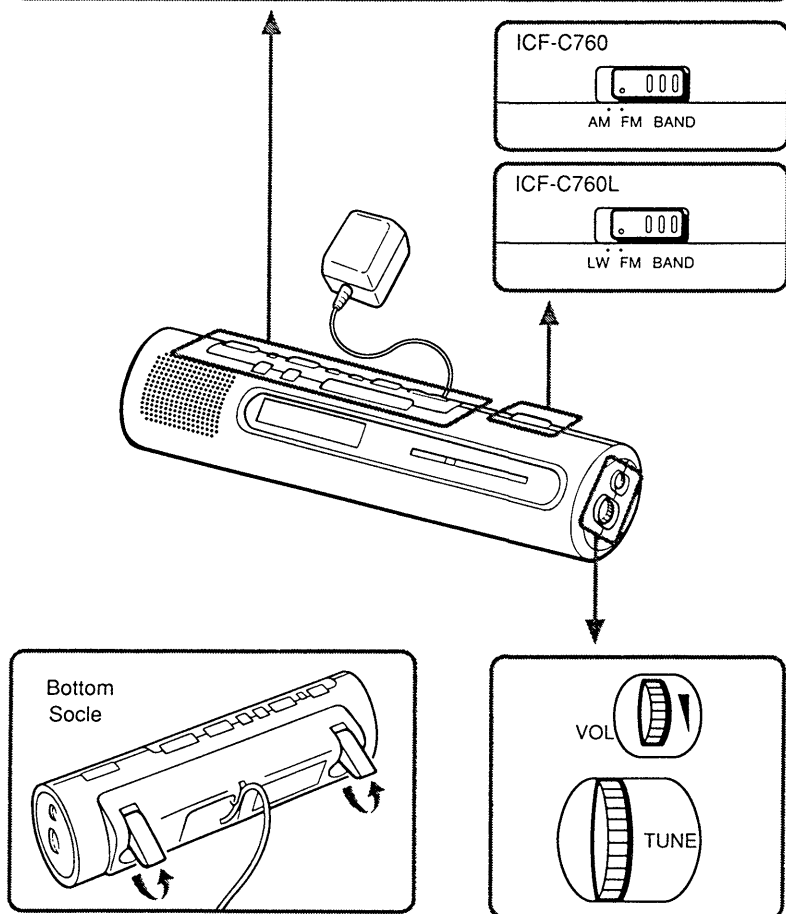
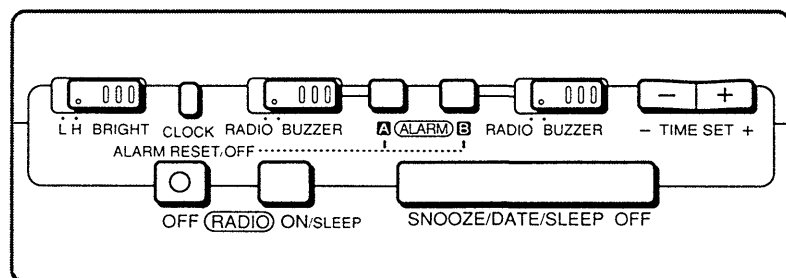
CND: Canadian model  
 G : German model  
 IT : Italian model

ATTENTION AU COMPOSANT AYANT RAPPORT  
 À LA SÉCURITÉ!

LES COMPOSANTS IDENTIFIÉS PAR UNE MARQUE SUR LES DIAGRAMMES SCHÉMATIQUES ET LA LISTE DES PIÈCES SONT CRITIQUES POUR LA SÉCURITÉ DE FONCTIONNEMENT. NE REMPLACER CES COMPOSANTS QUE PAR DES PIÈCES SONY DONT LES NUMÉROS SONT DONNÉS DANS CE MANUEL OU DANS LES SUPPLÉMENTS PUBLIÉS PAR SONY.

## SECTION 1 GENERAL

This section is extracted from instruction manual.



### Setting the Clock and the Date

#### Setting the Clock

1. Plug in the unit.  
The display will flash "AM 12:00" or "0:00".
2. While holding down **CLOCK**, press either + or - above **TIME SET** till the correct time appears in the display. When you release **CLOCK**, the clock begins to operate.

- The clock system varies depending on the model you own.  
12-hour system: "AM 12:00" = midnight  
24-hour system: "0:00" = midnight
- To set the current time rapidly, keep pressing **CLOCK** and the + or - button together to advance or return to a time that is within a few minutes of the current time. Then press the + or - button to set the time to the current time.

#### Setting the Date

1. While holding down **SNOOZE/DATE/SLEEP OFF**, press either + or - above **TIME SET** till the correct date appears in the display. Then, release **SNOOZE/DATE/SLEEP OFF**.

- To display the date, press **SNOOZE/DATE/SLEEP OFF**. The display returns to the current time when you release **SNOOZE/DATE/SLEEP OFF**.

#### Changing the Brightness of the Display Window

To change the brightness of the display window, slide **BRIGHT** (brightness) to H (high) or L (low).

#### Changing the Angle of the Clock Radio

You can change the angle of the unit by pulling the legs in the direction of the arrow as illustrated.

### Operating the Radio

1. Press **RADIO ON/SLEEP** to turn on the radio and adjust **VOL** (volume).
2. Select **FM** or **AM (LW)**, and tune in a station using the **TUNE** (tuning) dial.

- To turn off the radio, press **RADIO OFF/ALARM RESET/OFF**.
- To improve radio reception  
**FM**: Since the antenna is encased in the AC power cord, extend the cord to improve FM reception.  
**AM/LW**: Rotate the unit horizontally for optimum reception. A ferrite bar antenna is built into the unit.

### Setting the Alarm

To set the radio alarm, first tune in a station and adjust the volume.

1. While holding down the **ALARM A** or **B** button (for example, **A** for the radio or **B** for the buzzer), press either + or - above **TIME SET** till the desired time appears in the display. When you release **ALARM A** or **B**, **ALARM A** or **B** indicator and ":" stop flashing and light up, and the current time appears in the display.
2. Set the **ALARM A** selector (for radio) to **RADIO** or **ALARM B** selector (for buzzer) to **BUZZER**.  
The alarm will come on at the preset time and automatically turn itself off after 59 minutes.

- If you set **ALARM A** and **ALARM B** at the same desired time, only **ALARM A** will work.
- To shut off the alarm, press **RADIO OFF/ALARM RESET/OFF**. The alarm will come on at the preset time the next day.
- To cancel either alarm, while holding down the **ALARM A** or **ALARM B** button, press **RADIO OFF/ALARM RESET/OFF**.
- To doze for a few more minutes, press **SNOOZE/DATE/SLEEP OFF**. The alarm will shut off, but will come on again after about 6 minutes. You can repeat this process as many times as you like.
- To adjust the radio alarm volume, turn **VOL**.
- To check the preset time, press **ALARM A** or **B**.

### Setting the Sleep Timer

Enjoy falling asleep to the radio using the built-in sleep timer that shuts off the radio automatically at a preset time.

1. Press **RADIO ON/SLEEP**.

The radio turns on: It will go off after the preset time has passed. You can set the sleep timer of 90, 60, 45, 30 or 15 minutes.

Every push changes the display as follows.

Current time → On → 90 → 60  
↑ 15 ← 30 ← 45 ↓

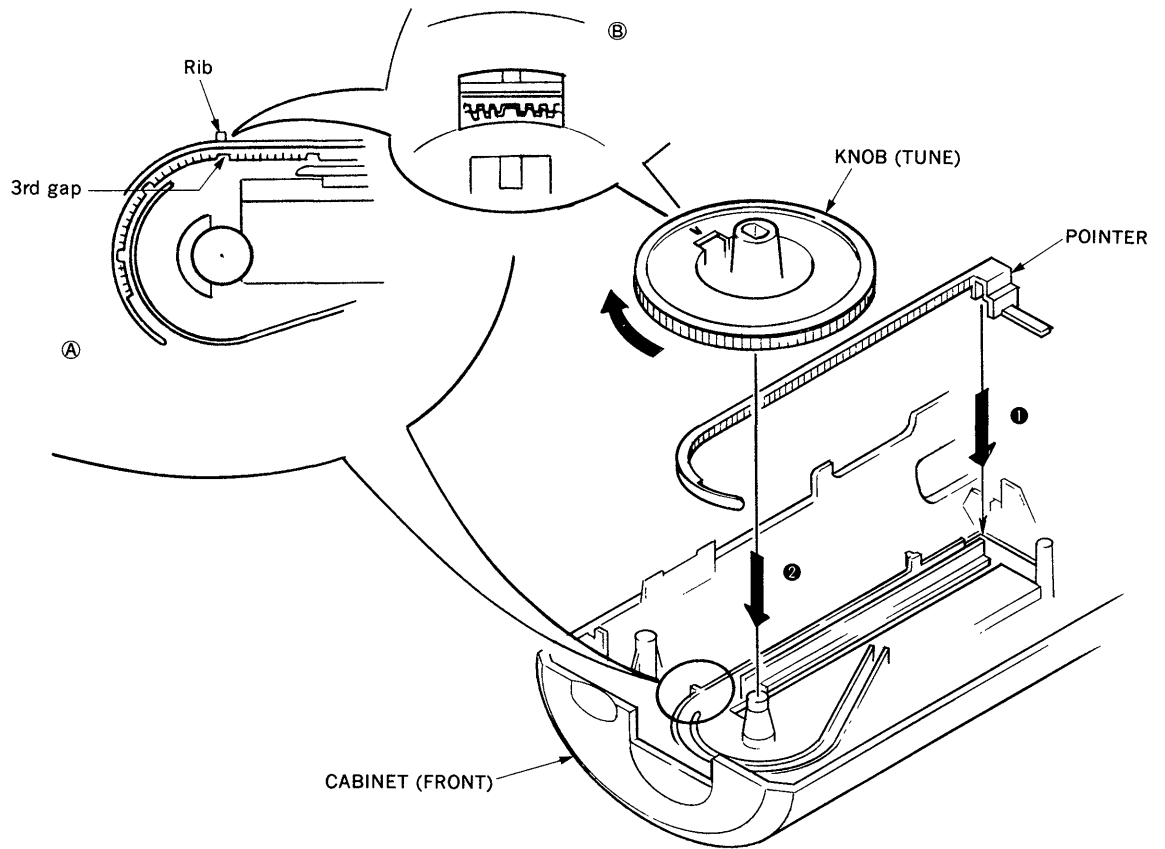
The radio will play for the time you set, then shut off.

- To turn off the radio before the preset time, press **SNOOZE/DATE/SLEEP OFF**.

## SECTION 2 DIAL POINTER SETTING

### 2-1. DIAL POINTER SETTING

- 1 Fit the gear part of pointer to pointer slot and adjust 3rd gap of pointer to rib as show in the drawing (A).
- 2 Install the gear part of knob (tune) and the gerar part of pointer as show in the drawing (B).  
Make sure to fit the knob to the cabinet hole.

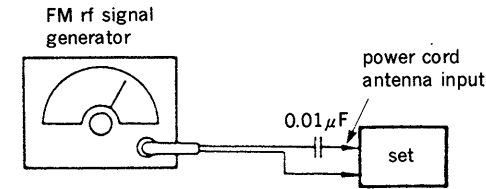


## SECTION 3 ELECTRICAL ADJUSTMENTS

### ● FM Section

Setting :

BAND switch : FM

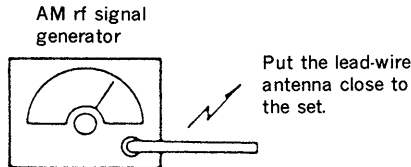


22.5kHz frequency deviation by 400Hz signal  
output level: as low as possible

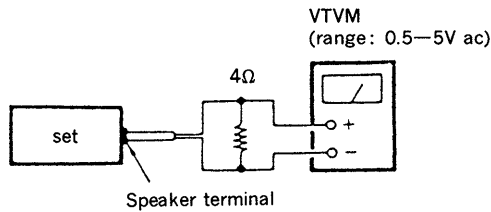
### ● AM/LW Section

Setting :

BAND switch : AM/LW



30% amplitude modulation by 400Hz signal



- Repeat the procedures in each adjustment several times, and the frequency coverage and tracking adjustments should be finally done by the trimmer capacitors.
- Remove telescopic antenna in FM section adjustments.

FM FREQUENCY COVERAGE ADJUSTMENT	
Adjust for a maximum reading on VTVM.	
L5	CT2
86.5MHz (87.35MHz) <87.35MHz>	109.5MHz (108.25MHz) <108.05MHz>

FM TRACKING ADJUSTMENT	
Adjust for a maximum reading on VTVM.	
L4	CT3
86.5MHz (87.35MHz) <87.35MHz>	109.5MHz (108.25MHz) <108.05MHz>

ICF-C760 :

AM FREQUENCY COVERAGE ADJUSTMENT	
Adjust for a maximum reading on VTVM.	
L6	CT4
520kHz (516.5kHz)	1,650kHz (1,631.5kHz)

ICF-C760 :

AM TRACKING ADJUSTMENT	
Adjust for a maximum reading on VTVM.	
L3	CT1
680kHz	1,320kHz

ICF-C760L :

LW FREQUENCY COVERAGE ADJUSTMENT	
Adjust for a maximum reading on VTVM.	
L6	CT6
145kHz	265kHz

ICF-C760L :

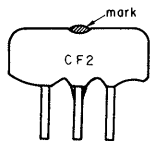
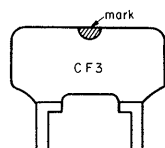
LW TRACKING ADJUSTMENT	
Adjust for a maximum reading on VTVM.	
L3	CT5
160kHz	240kHz

AM IF ADJUSTMENT	
Adjust for a maximum reading on VTVM.	
T1	
455kHz	

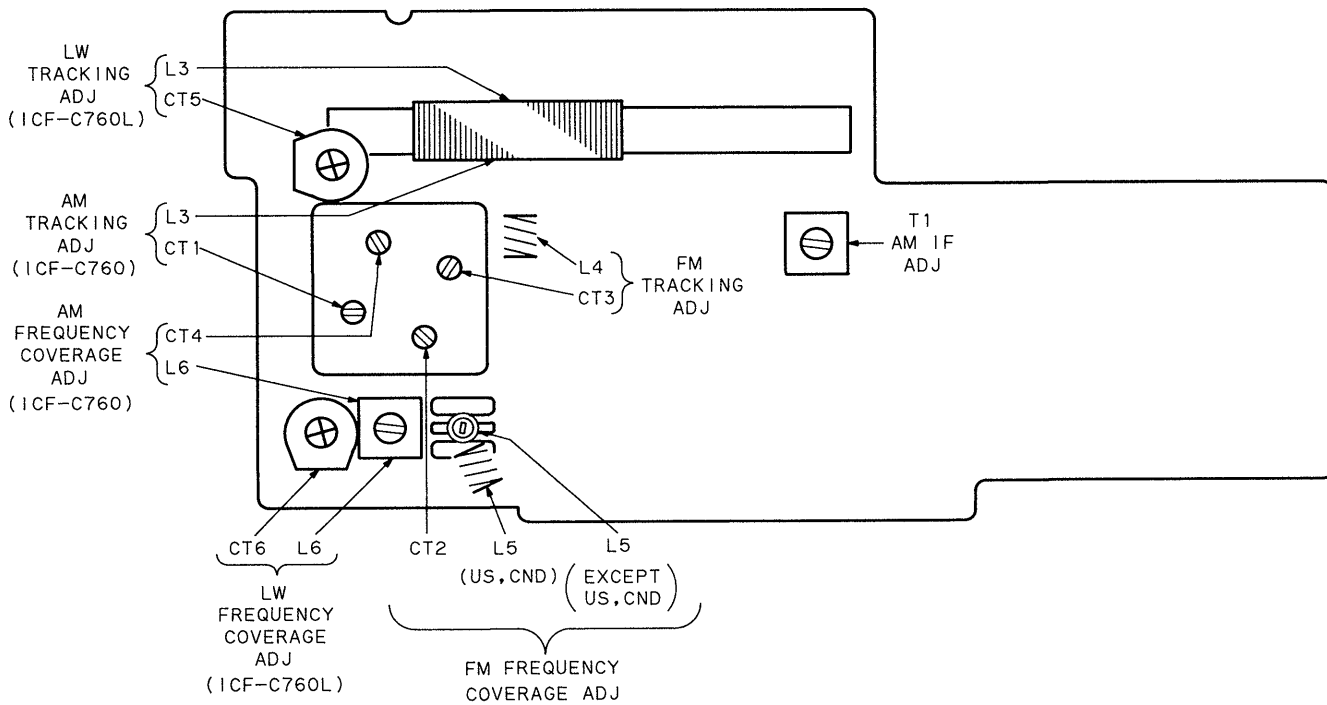
( ) : Italian model  
< > : AEP, UK, German model

### HOW TO CHANGED THE CERAMIC FILTERS

This model is used two ceramic filters of CF2 and CF3.  
 You must used same type of color marked ceramic filters in order to meet same specifications.  
 Therefore, the ceramic filter must changed two pieces together since it's supply two pieces in one package as a spare parts.

		mark	Center Frequency
		RED	10.70MHz
		BLU	10.67MHz
		ORG	10.73MHz
		BLK	10.64MHz
		WHT	10.76MHz

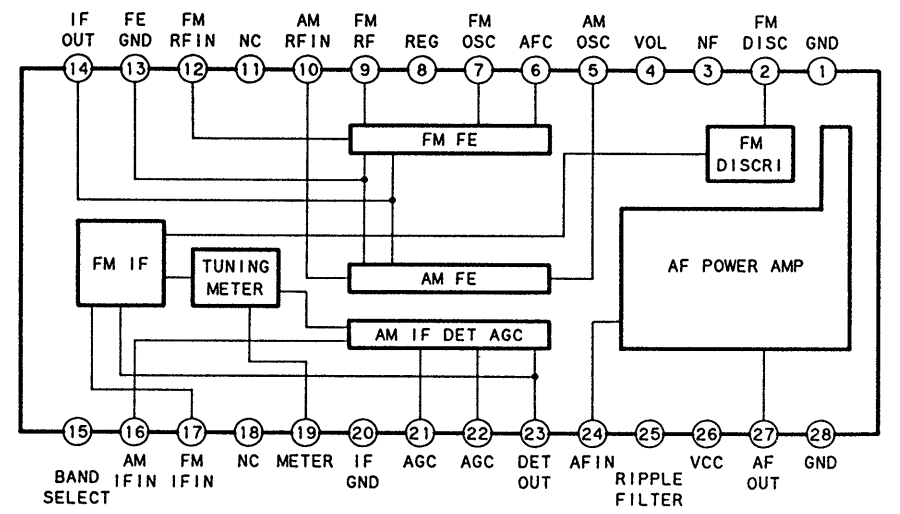
**Adjustment Location :** radio board (component side)



SECTION 4  
DIAGRAMS

4-1. SCHEMATIC DIAGRAM

• IC Block Diagram  
IC1 CXA1019M

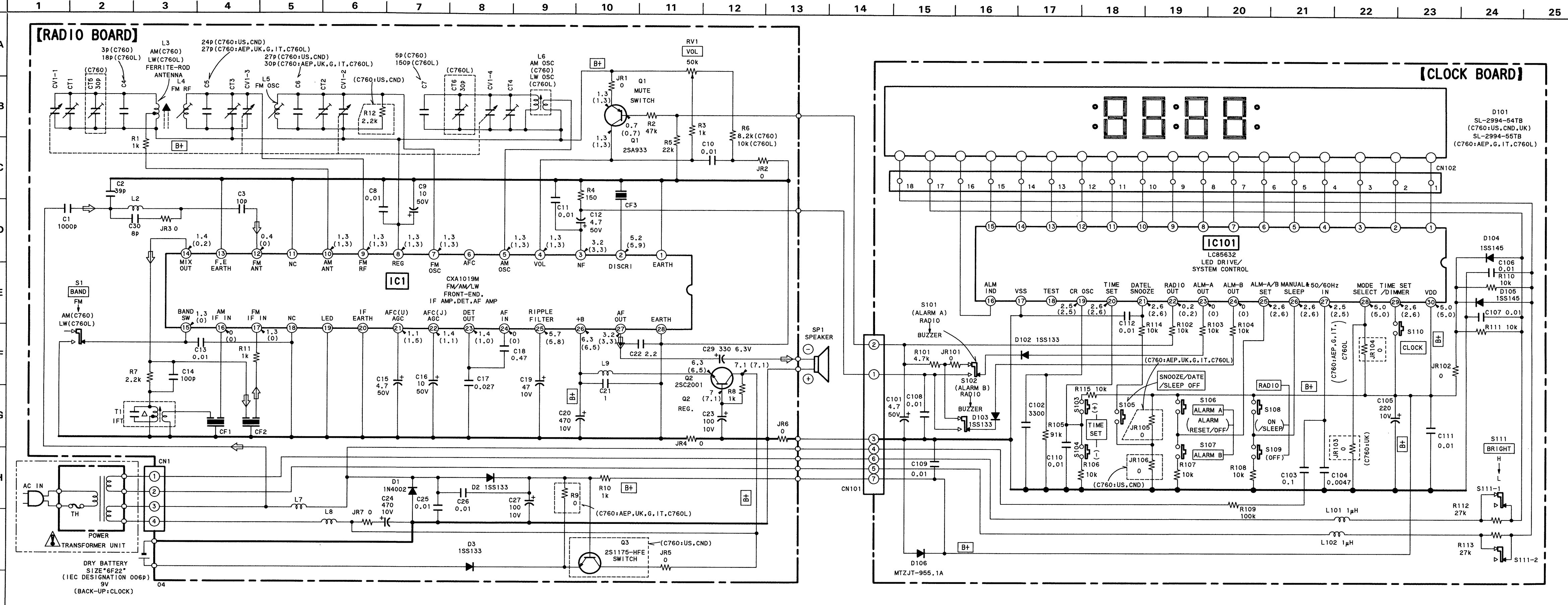


- Note:**
- All capacitors are in  $\mu\text{F}$  unless otherwise noted. pF:  $\mu\text{F}$  50WV or less are not indicated except for electrolytics and tantalums.
  - All resistors are in  $\Omega$  and 1/4 W or less unless otherwise specified.
  - $\Delta$ : internal component.

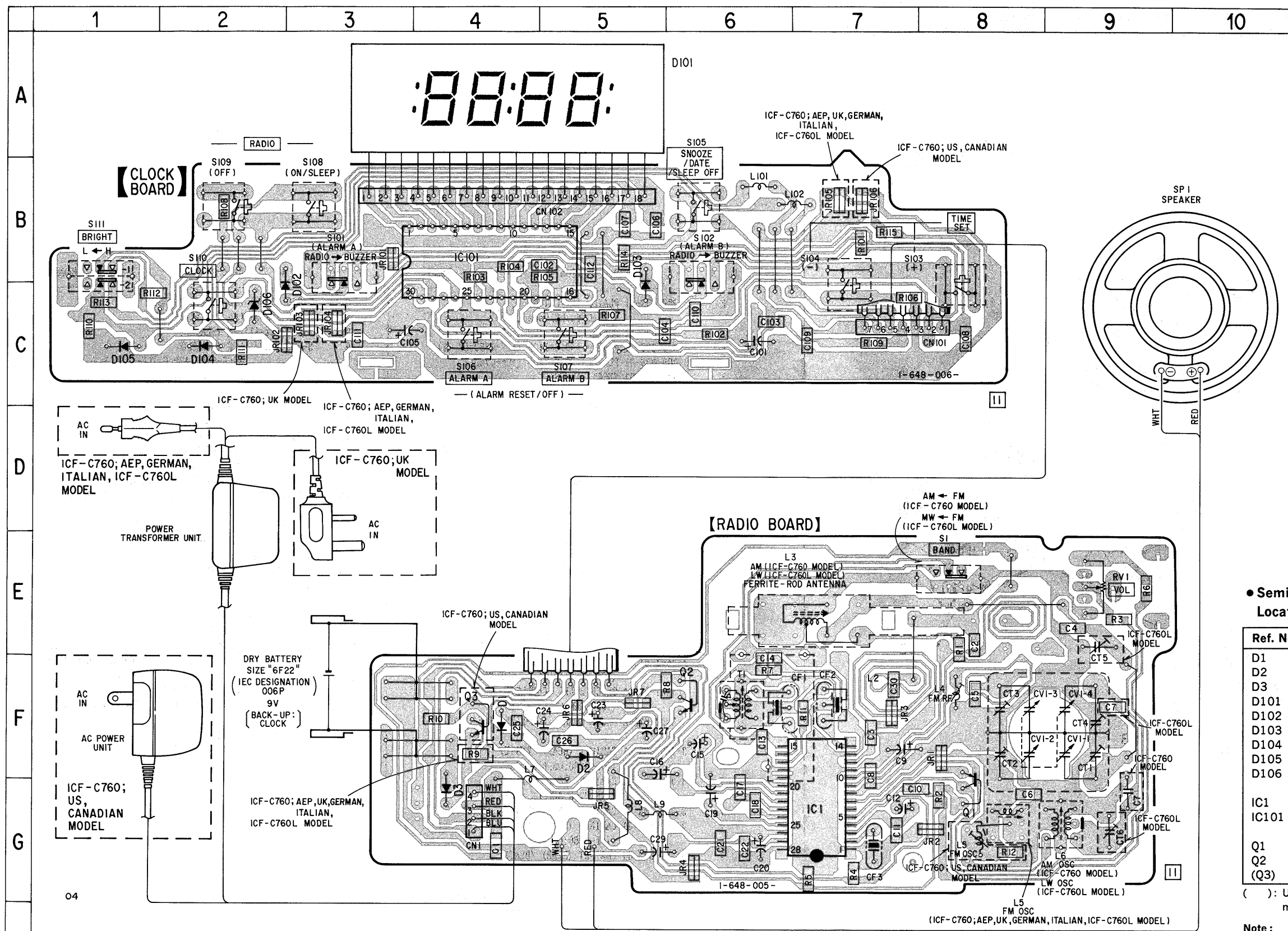
**Note:**  
The components identified by mark  $\Delta$  or dotted line with mark  $\Delta$  are critical for safety. Replace only with part number specified.

**Note:**  
Les composants identifiés par une marque  $\Delta$  sont critiques pour la sécurité. Ne les remplacer que par une pièce portant le numéro spécifié.

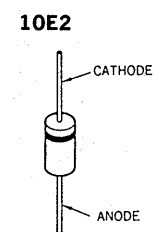
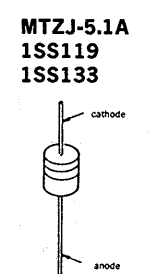
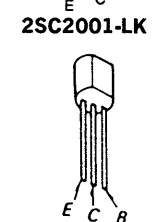
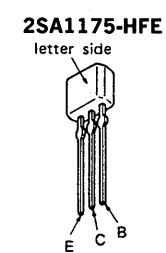
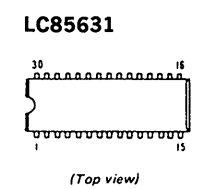
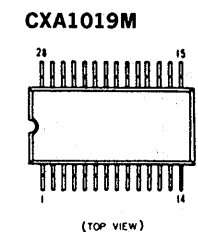
- $\text{B+}$ : B+ Line
- Voltage is dc with respect to ground under no-signal (detuned) conditions.
- no mark: FM
- ( ): AM
- Voltagés are taken with a VOM (Input Impedance 10M $\Omega$ ). Voltage variations may be noted due to normal production tolerances.
- Signal path
- $\Rightarrow$ : FM
- Abbreviations  
CND: Canadian model  
G : German model  
IT : Italian model



4-2. PRINTED WIRING BOARDS



4-3. SEMICONDUCTOR LEAD LAYOUTS



• Semiconductor Location

Ref. No.	Location
D1	F-4
D2	F-5
D3	G-4
D101	A-6
D102	B-3
D103	B-5
D104	C-2
D105	C-1
D106	C-2
IC1	G-7
IC101	B-4
Q1	G-8
Q2	F-6
(Q3)	F-3

( ): US, Canadian model

- Note:
- : parts extracted from the component list.
  - : indicates side identified with part number.
  - : Pattern on the side which is seen.



## SECTION 5 EXPLODED VIEW

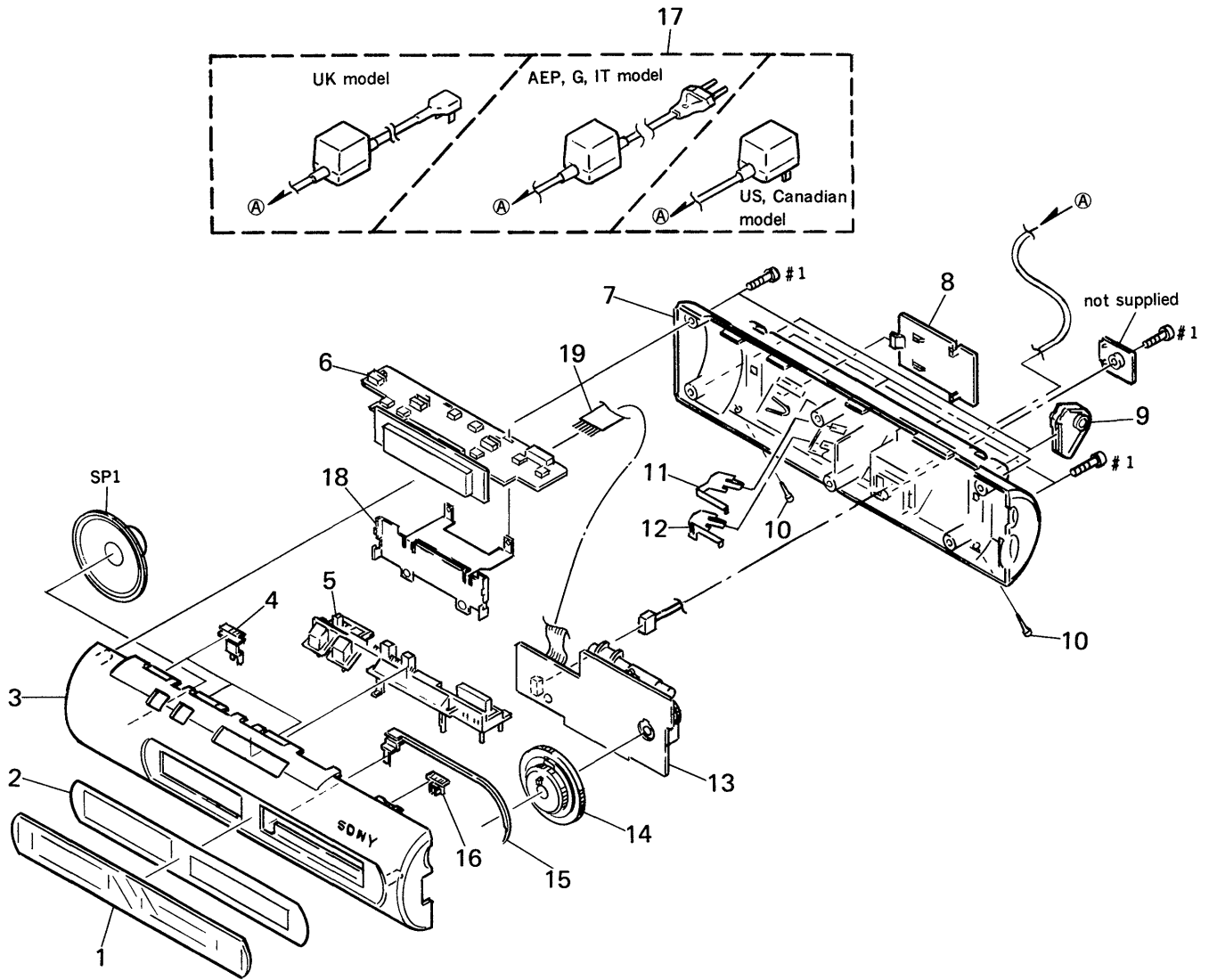
**NOTE:**

- The mechanical parts with no reference number in the exploded views are not supplied.
- Items marked "\*" are not stocked since they are seldom required for routine service. Some delay should be anticipated when ordering these items.
- Abbreviations  
G : German model  
IT : Italian model

- -XX and -X mean standardized parts, so they may have some difference from the original one.
- Color Indication of Appearance Parts  
Example :  
KNOB, BALANCE (WHITE)... (RED)  
                  ↑                  ↑  
                  Parts Color Cabinet's Color

The components identified by mark  $\triangle$  or dotted line with mark  $\triangle$  are critical for safety. Replace only with part number specified.

Les composants identifiés par une marque  $\triangle$  sont critiques pour la sécurité. Ne les remplacer que par une pièce portant le numéro spécifié.



Ref. No.	Part No.	Description	Remark
1	3-389-839-01	PLATE, INDICATION (ICF-C760:US, Canadian)	
1	3-389-839-11	PLATE, INDICATION (ICF-C760:AEP, G)	
1	3-389-839-21	PLATE, INDICATION (ICF-C760:UK, IT)	
1	3-389-839-31	PLATE, INDICATION (ICF-C760L)	
2	3-389-843-01	SHEET, ADHESIVE	
3	3-389-832-01	CABINET (FRONT) (WHITE) (ICF-C760)	
3	3-389-832-11	CABINET (FRONT) (WHITE) (ICF-C760L)	
3	3-389-832-21	CABINET (FRONT) (BLACK) (ICF-C760)	
3	3-389-832-31	CABINET (FRONT) (BLACK) (ICF-C760L)	
3	3-389-832-41	CABINET (FRONT) (SILVER) (ICF-C760:AEP, G)	
3	3-389-832-51	CABINET (FRONT) (SILVER) (ICF-C760L)	
4	3-389-836-01	KNOB (ALARM) (WHITE)	
4	3-389-836-11	KNOB (ALARM) (BLACK)	
4	3-389-836-21	KNOB (ALARM) (SILVER) (ICF-C760:AEP, G, ICF-C760L)	
5	3-389-837-01	BUTTON (WHITE)	
5	3-389-837-11	BUTTON (BLACK)	
5	3-389-837-21	BUTTON (SILVER) (ICF-C760:AEP, G, ICF-C760L)	
* 6	A-3661-813-A	CLOCK BOARD, COMPLETE (ICF-C760:AEP, G, IT, ICF-C760L)	
* 6	A-3661-875-A	CLOCK BOARD, COMPLETE (ICF-C760:US, Canadian)	
* 6	A-3662-021-A	CLOCK BOARD, COMPLETE (ICF-C760:UK)	
7	3-389-833-01	CABINET (REAR) (WHITE) (ICF-C760:US, Canadian)	
7	3-389-833-11	CABINET (REAR) (WHITE) (ICF-C760:AEP, UK, G, IT)	
7	3-389-833-21	CABINET (REAR) (WHITE) (ICF-C760L)	
7	3-389-833-31	CABINET (REAR) (BLACK) (ICF-C760:US, Canadian)	
7	3-389-833-41	CABINET (REAR) (BLACK) (ICF-C760:AEP, UK, G, IT)	
7	3-389-833-51	CABINET (REAR) (BLACK) (ICF-C760L)	
7	3-389-833-61	CABINET (REAR) (SILVER) (ICF-C760:AEP, G)	
7	3-389-833-71	CABINET (REAR) (SILVER) (ICF-C760L)	

Ref. No.	Part No.	Description	Remark
8	3-369-135-01	LID, BATTERY CASE	
9	3-389-842-01	LEG (WHITE)	
9	3-389-842-11	LEG (BLACK)	
9	3-389-842-21	LEG (SILVER) (ICF-C760:AEP, G, ICF-C760L)	
10	3-905-405-01	FOOT, RUBBER	
11	3-389-841-01	TERMINAL (-), BATTERY	
12	3-389-840-01	TERMINAL (+), BATTERY	
* 13	A-3661-810-A	RADIO BOARD, COMPLETE (ICF-C760:AEP, G, IT)	
* 13	A-3679-523-A	RADIO BOARD, COMPLETE (ICF-C760:US, Canadian)	
* 13	A-3679-525-A	RADIO BOARD, COMPLETE (ICF-C760L)	
* 13	A-3679-592-A	RADIO BOARD, COMPLETE (ICF-C760:UK)	
14	3-389-835-01	KNOB (TUNE)	
15	3-389-838-01	POINTER	
16	3-389-844-01	KNOB (BAND) (WHITE)	
16	3-389-844-11	KNOB (BAND) (BLACK)	
16	3-389-844-21	KNOB (BAND) (SILVER) (ICF-C760:AEP, G, ICF-C760L)	
△17	1-466-790-11	TRANSFORMER UNIT, POWER (ICF-C760:UK)	
△17	1-467-083-11	POWER UNIT, AC (ICF-C760:US, Canadian)	
△17	1-467-084-11	TRANSFORMER UNIT, POWER (ICF-C760:AEP, G, IT)	
△17	1-467-084-21	TRANSFORMER UNIT, POWER (ICF-C760L)	
* 18	3-389-834-01	HOLDER, LED	
19	1-751-399-11	CORD, CONNECTION	
SPI	1-544-517-11	SPEAKER	
#1	7-685-648-79	SCREW +BTP 3X12 TYPE2 N-S	

# SECTION 6 ELECTRICAL PARTS LIST

**CLOCK**

**NOTE:**

- Due to standardization, replacements in the parts list may be different from the parts specified in the diagrams or the components used on the set.
- -XX and -X mean standardized parts, so they may have some difference from the original one.
- RESISTORS  
All resistors are in ohms.  
METAL: Metal-film resistor.  
METAL OXIDE: Metal oxide-film resistor.  
F: nonflammable

- Items marked "\*" are not stocked since they are seldom required for routine service. Some delay should be anticipated when ordering these items.
- SEMICONDUCTORS  
In each case, u:  $\mu$ , for example:  
uA ..:  $\mu$ A.    uPA..:  $\mu$ PA.  
uPB..:  $\mu$ PB.    uPC..:  $\mu$ PC.    uPD..:  $\mu$ PD.
- CAPACITORS  
uF:  $\mu$ F
- COILS  
uH:  $\mu$ H

When indicating parts by reference number, please include the board.

The components identified by mark  $\Delta$  or dotted line with mark  $\Delta$  are critical for safety. Replace only with part number specified.

Les composants identifiés par une marque  $\Delta$  sont critiques pour la sécurité. Ne les remplacer que par une pièce portant le numéro spécifié.

- Abbreviations  
G : German model  
IT : Italian model

Ref. No.	Part No.	Description	Remark
*	A-3661-813-A	CLOCK BOARD, COMPLETE (ICF-C760:AEP, G, IT, ICF-C760L)	
*	A-3661-875-A	CLOCK BOARD, COMPLETE (ICF-C760:US, Canadian)	
*	A-3662-021-A	CLOCK BOARD, COMPLETE (ICF-C760:UK) *****	
*	3-389-834-01	HOLDER, LED  < CAPACITOR >	
C101	1-126-163-11	ELECT	4.7uF 20% 50V
C102	1-163-017-00	CERAMIC CHIP	0.0047uF 5% 50V
C103	1-163-077-00	CERAMIC CHIP	0.1uF 10% 25V
C104	1-163-055-00	CERAMIC CHIP	0.0047uF 10% 50V
C105	1-126-176-11	ELECT	220uF 20% 10V
C106-112	1-163-031-11	CERAMIC CHIP	0.01uF 50V
		< CONNECTOR >	
CN101	1-580-186-11	SOCKET, CONNECTOR 7P	
CN102	1-750-540-11	PIN, CONNECTOR (PC BOARD) 18P	
		< DIODE >	
D101	1-810-027-11	DIODE SL-2994-54TB (ICF-C760:US, Canadian, UK)	
D101	1-810-027-21	DIODE SL-2994-55TB (ICF-C760:AEP, G, IT, ICF-C760L)	
D102	8-719-901-33	DIODE 1SS133	
D103	8-719-901-33	DIODE 1SS133	
D104	8-719-911-19	DIODE 1SS119	
D105	8-719-911-19	DIODE 1SS119	
D106	8-719-921-42	DIODE MTZJ-5.1A	
		< IC >	
IC101	8-759-193-05	IC LC85632	

Ref. No.	Part No.	Description	Remark
		< JUMPER RESISTOR >	
JR101	1-216-295-00	METAL CHIP	0 5% 1/10W
JR102	1-216-296-00	METAL CHIP	0 5% 1/8W
JR103	1-216-296-00	METAL CHIP (ICF-C760:UK)	0 5% 1/8W
JR104	1-216-296-00	METAL CHIP (ICF-C760:AEP, G, IT, ICF-C760L)	0 5% 1/8W
JR105	1-216-296-00	METAL CHIP (ICF-C760:AEP, UK, G, IT, ICF-C760L)	0 5% 1/8W
JR106	1-216-296-00	METAL CHIP (ICF-C760:US, Canadian)	0 5% 1/8W
		< COIL >	
L101	1-414-142-11	INDUCTOR	1uH
L102	1-414-142-11	INDUCTOR	1uH
		< RESISTOR >	
R101	1-216-065-00	METAL CHIP	4.7K 5% 1/10W
R102-104	1-216-073-00	METAL CHIP	10K 5% 1/10W
R105	1-216-093-00	METAL GLAZE	68K 5% 1/10W
R106-108	1-216-073-00	METAL CHIP	10K 5% 1/10W
R109	1-216-097-00	METAL CHIP	100K 5% 1/10W
R110	1-216-073-00	METAL CHIP	10K 5% 1/10W
R111	1-216-073-00	METAL CHIP	10K 5% 1/10W
R112	1-216-160-00	METAL GLAZE	27 5% 1/8W
R113	1-216-160-00	METAL GLAZE	27 5% 1/8W
R114	1-216-222-00	METAL GLAZE	10K 5% 1/8W
R115	1-216-073-00	METAL CHIP	10K 5% 1/10W
		< SWITCH >	
S101	1-571-478-11	SWITCH, SLIDE (ALARM A)	
S102	1-571-478-11	SWITCH, SLIDE (ALARM B)	
S103	1-554-937-11	SWITCH, KEY BOARD (+ (TIME SET))	
S104	1-554-937-11	SWITCH, KEY BOARD (- (TIME SET))	
S105	1-554-937-11	SWITCH, KEY BOARD (SNOOZE/DATE/SLEEP OFF)	
S106	1-554-937-11	SWITCH, KEY BOARD (ALARM A (ALARM RESET/OFF))	

CLOCK

RADIO

Ref. No.	Part No.	Description	Remark
S107	1-554-937-11	SWITCH, KEY BOARD (ALARM B (ALARM RESET/OFF))	
S108	1-554-937-11	SWITCH, KEY BOARD (ON/SLEEP (RADIO))	
S109	1-554-937-11	SWITCH, KEY BOARD (OFF (RADIO))	
S110	1-554-937-11	SWITCH, KEY BOARD (CLOCK)	
S111	1-571-478-11	SWITCH, SLIDE (BRIGHT)	
*****			
*	A-3661-810-A	RADIO BOARD, COMPLETE (ICF-C760:AEP, G, IT)	
*	A-3679-523-A	RADIO BOARD, COMPLETE (ICF-C760:US, Canadian)	
*	A-3679-525-A	RADIO BOARD, COMPLETE (ICF-C760L)	
*	A-3679-592-A	RADIO BOARD, COMPLETE (ICF-C760:UK) *****	
	1-751-399-11	CORD, CONNECTION	
*	3-905-767-01	PLATE, SHIELD (ICF-C760L)	
		< CAPACITOR >	
C1	1-163-205-00	CERAMIC CHIP 0.001uF	5% 50V
C2	1-163-107-00	CERAMIC CHIP 39PF	5% 50V
C3	1-163-093-00	CERAMIC CHIP 10PF	5% 50V
C4	1-163-086-00	CERAMIC CHIP 3PF (ICF-C760)	50V
C4	1-163-099-00	CERAMIC CHIP 18PF (ICF-C760L)	5% 50V
C5	1-163-102-00	CERAMIC CHIP 24PF (ICF-C760:US, Canadian)	5% 50V
C5	1-163-103-00	CERAMIC CHIP 27PF (ICF-C760:AEP, UK, G, IT, ICF-C760L)	5% 50V
C6	1-163-103-00	CERAMIC CHIP 27PF (ICF-C760:US, Canadian)	5% 50V
C6	1-163-104-00	CERAMIC CHIP 30PF (ICF-C760:AEP, UK, G, IT, ICF-C760L)	5% 50V
C7	1-102-260-91	CERAMIC 5PF (ICF-C760)	0.5PF 50V
C7	1-163-121-00	CERAMIC CHIP 150PF (ICF-C760L)	5% 50V
C8	1-163-059-00	CERAMIC CHIP 0.01uF	10% 50V
C9	1-124-261-00	ELECT 10uF	20% 50V
C10	1-163-031-11	CERAMIC CHIP 0.01uF	50V
C11	1-163-031-11	CERAMIC CHIP 0.01uF	50V
C12	1-126-163-11	ELECT 4.7uF	20% 50V
C13	1-163-031-11	CERAMIC CHIP 0.01uF	50V
C14	1-163-117-00	CERAMIC CHIP 100PF	5% 50V
C15	1-126-163-11	ELECT 4.7uF	20% 50V
C16	1-124-261-00	ELECT 10uF	20% 50V
C17	1-163-064-00	CERAMIC CHIP 0.027uF	10% 50V
C18	1-164-005-11	CERAMIC CHIP 0.47uF	25V
C19	1-124-589-11	ELECT 47uF	20% 16V
C20	1-124-472-11	ELECT 470uF	20% 10V
C21	1-164-346-11	CERAMIC CHIP 1uF	16V

Ref. No.	Part No.	Description	Remark
C22	1-164-505-11	CERAMIC CHIP 2.2uF	16V
C23	1-126-177-11	ELECT 100uF	20% 10V
C24	1-124-472-11	ELECT 470uF	20% 10V
C25	1-163-031-11	CERAMIC CHIP 0.01uF	50V
C26	1-163-031-11	CERAMIC CHIP 0.01uF	50V
C27	1-126-177-11	ELECT 100uF	20% 10V
C29	1-126-245-11	ELECT 330uF	20% 6.3V
C30	1-163-091-00	CERAMIC CHIP 8PF	50V
		< FILTER >	
CF1	1-577-072-11	FILTER, CERAMIC (ICF-C760)	
CF1	1-578-677-11	FILTER, CERAMIC (ICF-C760L)	
CF2	1-567-097-61	FILTER, CERAMIC	
CF3	1-567-097-61	FILTER, CERAMIC	
		< CONNECTOR >	
* CN1	1-506-986-11	PIN, CONNECTOR (PC BOARD) 4P	
		< VARIABLE CAPACITOR >	
CT1-4	1-141-465-11	CAP, VAR	
CV1			
		< TRIMMER >	
CT5	1-141-245-00	CAP, TRIMMER 30PF	(ICF-C760L)
CT6	1-141-245-00	CAP, TRIMMER 30PF	(ICF-C760L)
		< DIODE >	
D1	8-719-200-02	DIODE 10E2	
D2	8-719-901-33	DIODE 1SS133	
D3	8-719-901-33	DIODE 1SS133	
		< IC >	
IC1	8-752-050-16	IC CXA1019M	
		< JUMPER RESISTOR >	
JR1-5			
	1-216-296-00	METAL CHIP 0	5% 1/8W
JR6	1-216-295-00	METAL CHIP 0	5% 1/10W
JR7	1-216-295-00	METAL CHIP 0	5% 1/10W
		< COIL >	
L3	1-402-464-11	ANTENNA, FERRITE-ROD (AM)	(ICF-C760)
L3	1-501-618-11	ANTENNA, FERRITE-ROD (LW)	(ICF-C760L)
L4	1-428-240-11	COIL, AIR-CORE	(ICF-C760:US, Canadian)
L4	1-428-223-11	COIL, AIR-CORE (ICF-C760:AEP, UK, G, IT, ICF-C760L)	
L5	1-428-222-11	COIL, AIR-CORE	(ICF-C760:US, Canadian)
L5	1-406-425-11	COIL (ICF-C760:AEP, UK, G, IT, ICF-C760L)	

**RADIO**

Ref. No.	Part No.	Description	Remark
L6	1-406-028-00	COIL, OSC (MW)	
L7	1-422-348-11	COIL, AIR-CORE	
L8	1-422-348-11	COIL, AIR-CORE	
L9	1-424-122-11	FILTER, NOISE	
< TRANSISTOR >			
Q1	8-729-119-76	TRANSISTOR 2SA1175-HFE	
Q2	8-729-142-46	TRANSISTOR 2SC2001-LK	
Q3	8-729-119-76	TRANSISTOR 2SA1175-HFE (ICF-C760:US, Canadian)	
< RESISTOR >			
R1	1-216-049-00	METAL CHIP 1K 5% 1/10W	
R2	1-216-089-00	METAL CHIP 47K 5% 1/10W	
R3	1-216-049-00	METAL CHIP 1K 5% 1/10W	
R4	1-216-029-00	METAL CHIP 150 5% 1/10W	
R5	1-216-081-00	METAL CHIP 22K 5% 1/10W	
R6	1-216-071-00	METAL CHIP 8.2K 5% 1/10W (ICF-C760)	
R6	1-216-073-00	METAL CHIP 10K 5% 1/10W (ICF-C760L)	
R7	1-216-057-00	METAL CHIP 2.2K 5% 1/10W	
R8	1-216-049-00	METAL CHIP 1K 5% 1/10W	
R9	1-216-295-00	METAL CHIP 0 5% 1/10W (ICF-C760:AEP, UK, G, IT, ICF-C760L)	
R10	1-216-198-00	METAL CHIP 1K 5% 1/8W	
R11	1-216-049-00	METAL CHIP 1K 5% 1/10W	
R12	1-216-057-00	METAL CHIP 2.2K 5% 1/10W (ICF-C760:US, Canadian)	
< VARIABLE RESISTOR >			
RV1	1-223-451-11	RES, VAR, CARBON 50K/50K (VOL)	
< SWITCH >			
S1	1-571-478-11	SWITCH, SLIDE (BAND)	
< TRANSFORMER >			
T1	1-404-790-11	TRANSFORMER, IF (ICF-C760)	
T1	1-404-355-00	TRANSFORMER, IF (ICF-C760L)	
*****			
MISCELLANEOUS			
*****			
△17	1-466-790-11	TRANSFORMER UNIT, POWER (ICF-C760:UK)	
△17	1-467-083-11	POWER UNIT, AC (ICF-C760:US, Canadian)	
△17	1-467-084-11	TRANSFORMER UNIT, POWER (ICF-C760:AEP, G, IT)	
△17	1-467-084-21	TRANSFORMER UNIT, POWER (ICF-C760L)	
SP1	1-544-517-11	SPEAKER	
*****			

Ref. No.	Part No.	Description	Remark
ACCESSORIES & PACKING MATERIALS			
*****			
	3-756-869-11	MANUAL, INSTRUCTION (ENGLISH, FRENCH, GERMAN, ITALIAN) (ICF-C760:Canadian, AEP, UK, G, IT, ICF-C760L)	
	3-756-869-21	MANUAL, INSTRUCTION (ENGLISH) (ICF-C760:US)	
	3-756-869-41	MANUAL, INSTRUCTION (SPANISH, DUTCH, SWEDISH, PORTUGUESE) (ICF-C760:AEP, ICF-C760L)	
*	3-904-675-01	INDIVIDUAL CARTON (ICF-C760:AEP, UK, G, IT)	
*	3-905-274-01	INDIVIDUAL CARTON (ICF-C760:US)	
*	3-905-275-01	INDIVIDUAL CARTON (ICF-C760:Canadian)	
*	3-905-276-01	INDIVIDUAL CARTON (ICF-C760L)	

The components identified by mark △ or dotted line with mark △ are critical for safety. Replace only with part number specified.	Les composants identifiés par une marque △ sont critiques pour la sécurité. Ne les remplacer que par une pièce portant le numéro spécifié.
--	--



# ICF-C760/C760L

**SONY**

## SERVICE MANUAL

US Model  
 Canadian Model  
 UK Model  
 ICF-C760  
 AEP Model  
 ICF-C760/C760L

### SUPPLEMENT-1

File this supplement with the Service Manual previously issued.

**Subject** : CET Model Addition

ICF-C760 CET model is almost same as ICF-C760 AEP model.  
 This manual contains only the points which differ from ICF-C760 AEP model.  
 For the informations not contained in this manual, please refer to ICF-C760/  
 C760L service manual (9-957-999-11) previously issued.

#### • EXPLODED VIEWS

Page	ICF-C760 (AEP model)				ICF-C760 (CET model)		
	Ref. No.	Part No.	Description	Remark	Part No.	Description	Remark
14	3	3-389-832-01	CABINET (FRONT) (WHITE)				
	3	3-389-832-21	CABINET (FRONT) (BLACK)		3-389-832-21	CABINET (FRONT) (BLACK)	
	3	3-389-832-41	CABINET (FRONT) (SILVER)				
	4	3-389-836-01	KNOB (ALARM) (WHITE)				
	4	3-389-836-11	KNOB (ALARM) (BLACK)		3-389-836-11	KNOB (ALARM) (BLACK)	
	4	3-389-836-21	KNOB (ALARM) (SILVER)				
	5	3-389-837-01	BUTTON (WHITE)				
	5	3-389-837-11	BUTTON (BLACK)		3-389-837-11	BUTTON (BLACK)	
	5	3-389-837-21	BUTTON (SILVER)				
	7	3-389-833-11	CABINET (REAR) (WHITE)				
	7	3-389-833-41	CABINET (REAR) (BLACK)		3-389-833-41	CABINET (REAR) (BLACK)	
	7	3-389-833-61	CABINET (REAR) (SILVER)				
	9	3-389-842-01	LEG (WHITE)				
	9	3-389-842-11	LEG (BLACK)		3-389-842-11	LEG (BLACK)	
	9	3-389-842-21	LEG (SILVER)				
	16	3-389-844-01	KNOB (BAND) (WHITE)				
	16	3-389-844-11	KNOB (BAND) (BLACK)		3-389-844-11	KNOB (BAND) (BLACK)	
	16	3-389-844-21	KNOB (BAND) (SILVER)				

• Color Indication of Appearance Parts

Example :

KNOB, BALANCE (WHITE) ... (RED)

↑                    ↑  
 Parts Color    Cabinet's Color

• Abbreviation

CET : East European model

• ACCESSORIES & PACKING MATERIALS

Page	ICF-C760 (AEP model)				ICF-C760 (CET model)		
	Ref. No.	Part No.	Description	Remark	Part No.	Description	Remark
17		3-756-869-11	MANUAL, INSTRUCTION (ENGLISH, FRENCH,GERMAN,ITALIAN)			_____	
		3-756-869-41	MANUAL, INSTRUCTION (SPANISH,DUTCH, SWEDISH,PORTUGUESE)			_____	
		_____			3-756-869-31	MANUAL, INSTRUCTION (BULGARIAN,POLISH, CZECH,HUNGARIAN)	



# ICF-C760/C760L

**SONY**

## SERVICE MANUAL

US Model  
Canadian Model  
UK Model  
ICF-C760  
AEP Model  
ICF-C760/C760L

### SUPPLEMENT-2

File this supplement with the Service Manual previously issued.

**Subject :** Cabinet Color (Silver) Addition (UK Model)

#### • EXPLODED VIEWS

Page	Former type (UK model)				New type (UK model)		
	Ref. No.	Part No.	Description	Remark	Part No.	Description	Remark
14	3	3-389-832-01	CABINET (FRONT) (WHITE)		3-389-832-01	CABINET (FRONT) (WHITE)	
	3	3-389-832-21	CABINET (FRONT) (BLACK)		3-389-832-21	CABINET (FRONT) (BLACK)	
	3				3-389-832-41	CABINET (FRONT) (SILVER)	
	4	3-389-836-01	KNOB (ALARM) (WHITE)		3-389-836-01	KNOB (ALARM) (WHITE)	
	4	3-389-836-11	KNOB (ALARM) (BLACK)		3-389-836-11	KNOB (ALARM) (BLACK)	
	4				3-389-836-21	KNOB (ALARM) (SILVER)	
	5	3-389-837-01	BUTTON (WHITE)		3-389-837-01	BUTTON (WHITE)	
	5	3-389-837-11	BUTTON (BLACK)		3-389-837-11	BUTTON (BLACK)	
	5				3-389-837-21	BUTTON (SILVER)	
	7	3-389-833-11	CABINET (REAR) (WHITE)		3-389-833-11	CABINET (REAR) (WHITE)	
	7	3-389-833-41	CABINET (REAR) (BLACK)		3-389-833-41	CABINET (REAR) (BLACK)	
	7				3-389-833-61	CABINET (REAR) (SILVER)	
	9	3-389-842-01	LEG (WHITE)		3-389-842-01	LEG (WHITE)	
	9	3-389-842-11	LEG (BLACK)		3-389-842-11	LEG (BLACK)	
	9				3-389-842-21	LEG (SILVER)	
	16	3-389-844-01	KNOB (BAND) (WHITE)		3-389-844-01	KNOB (BAND) (WHITE)	
	16	3-389-844-11	KNOB (BAND) (BLACK)		3-389-844-11	KNOB (BAND) (BLACK)	
	16				3-389-844-21	KNOB (BAND) (SILVER)	

• Color Indication of Appearance Parts

Example :

KNOB, BALANCE (WHITE) ... (RED)

↑ ↑  
Parts Color Cabinet's Color