

# 125 D

## Extractor Hood

### Installation and Operating Instructions

# Contents

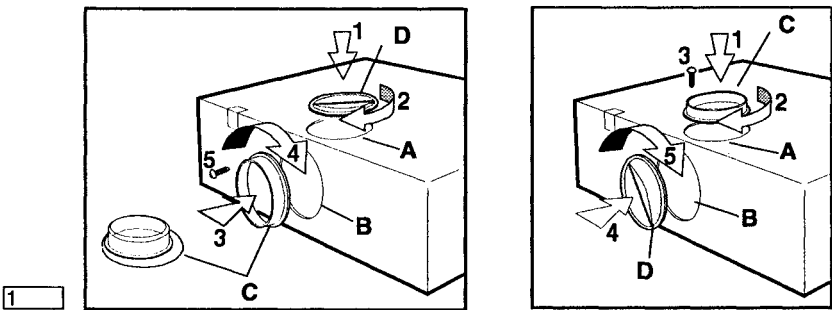
<b>Introduction</b>	3
Extraction mode	3
Recirculation mode	4
<b>Electrical connection for UK</b>	5
<b>Technical details</b>	6
<b>Installation</b>	7
Safety warnings for kitchen unit installer	7
Wall mounting	9
<b>Hood operation</b>	11
Safety warnings for user	12
<b>Maintenance and care</b>	13
Opening the grid	13
Grease filter	13
Carbon filter	14
Changing the light bulb	15
<b>Cleaning</b>	15
<b>Accessories</b>	16
<b>Something not working</b>	17
<b>Service &amp; Spare Parts</b>	18

Printed on recycled paper.  
AEG – putting words into action.

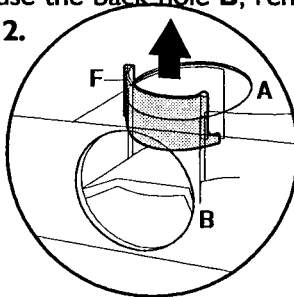
# Introduction

## Extraction mode

- The hood is supplied as an extractor unit and can also be used as a filtered function (recirculation) by fitting activated carbon filters (available as an accessory).
- The unit features two outlet holes, one of which **A** is located on the top of the unit while the other **B** is located on the rear.
- To connect up the hose, you should first fit the bayonet-mounting flange **C** ( $\varnothing$  100-120 mm) on the outlet required (if using the top outlet, fix the flange in place using the screw supplied as shown in **Fig. 1**).  
Close off the unused hole using the bayonet fitting caps **D**.

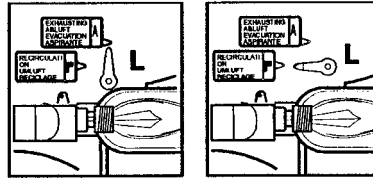


- **Important!** To use the back hole **B**, remove switch **F** from the top hole. — **Fig 2**.



- Move the lever **L** to position **A** — Fig. 3.

3



- When connecting the hood using a telescopic wall pipe, you should use a non-inflammable outlet hose ABS 120 (120 mm Ø)  
E-Nr. 942 118 611 from our range of special accessories.

## Recirculation mode

---

- The air is filtered and recirculated through the front grid.
- Move the lever **L** to position **F** — Fig. 3.

You will need an original KFF activated carbon filter. (See accessories).

## Summer/Winter Hood Conversion

---

- To avoid excessive heat loss during the winter months, we recommend that the hood be converted from extraction mode to recirculation.
- In order to convert the hood, a charcoal filter (available as an accessory) is required. Follow the instructions for operating the hood to recycle air.
- When the temperature outdoors becomes more mild (spring), the filter can be removed and the hood converted once again to extraction. Please consult the assembly instructions for operating the hood in extraction mode.

# Electrical connection for the UK

## Appliances with 2 wires

### **WARNING: DOUBLE INSULATED - DO NOT EARTH**

The appliance must be connected to fixed wiring with a double pole switched fused spur outlet with or without pilot lamp.

We strongly recommend the appliance to be connected only by a qualified electrician who is a member of the NICEIC who will comply with the IEE and any local regulations.

### **NOTE:**

The terminology "DOUBLE POLE" means that both the live and the neutral supplies are switched and disconnected at the same time. The terminations labelled SUPPLY are for the connection for the internal house wiring and the terminations labelled LOAD are for the appliance.

### **IMPORTANT**

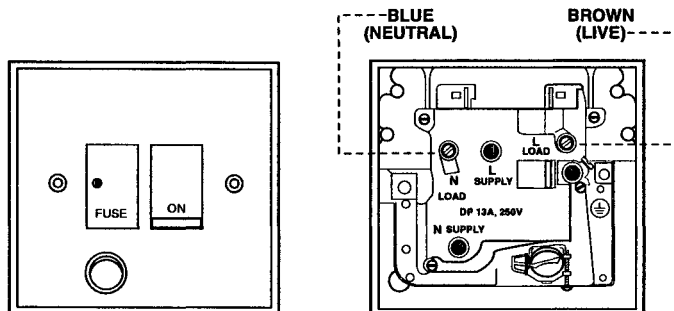
The wires of the mains lead supplied with this appliance are coloured in accordance with the following code:

**Blue-Neutral**

**Brown-Live**

As the colours of the flexible cord of this appliance may not correspond with the coloured markings identifying the terminals in the plug, proceed as follows: The wire which is coloured brown must be connected to the terminal which is marked with the letter L or coloured red.

The wire which is coloured blue must be connected to the terminal which is marked with the letter N or coloured black.



## Technical details

### Dimensions

Height x Width x Depth (in cm)	69-113 x 59.9 x 51
--------------------------------	--------------------

### Weight

Net:	11,5 kg
------	---------

Gross:	12,6 kg
--------	---------

Maximum absorbed power:	205 W
-------------------------	-------

Motor absorption	1 x 125 W
------------------	-----------

Lighting:	2 x 40 W
-----------	----------

Length of the cable:	110 cm
----------------------	--------

Fan powers (speed), speed in compliance with DIN 44971

### Extraction mode

1	115 m <sup>3</sup> /h
---	-----------------------

2	152 m <sup>3</sup> /h
---	-----------------------

3	210 m <sup>3</sup> /h
---	-----------------------

### Recirculation mode

1	110 m <sup>3</sup> /h
---	-----------------------

2	129 m <sup>3</sup> /h
---	-----------------------

3	145 m <sup>3</sup> /h
---	-----------------------

Flange: 100-120 mm Ø
----------------------

# Installation

## Safety warnings for kitchen unit installer

- When used as an extractor unit, the hood must be fitted with a 100 or 120mm diameter hose.
- If the fumes must be forced out through the wall, you must obtain a MKZ sizable wall exhaust pipe (with external exhaust and air intake), E-Nr.- 610 899 004 (Ø 120 mm) which is one of our optional parts.
- **When installing the hood, make sure you respect the following minimum distance from the top edge of the cooking hob/ring surfaces:**

Electric hob	650 mm
Gas hob	700 mm
Electric cooker	685 mm
Gas cooker	787 mm

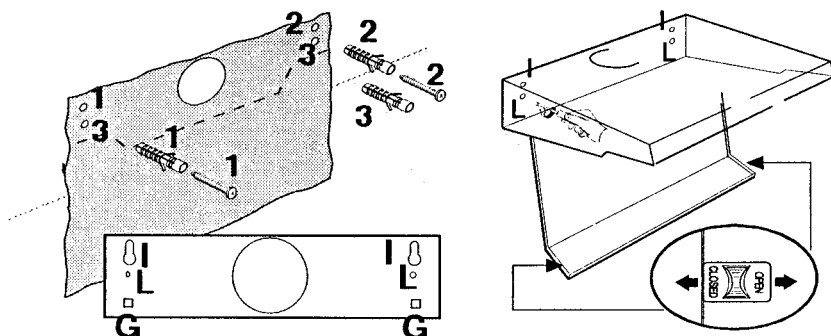
- The cooker hood must not be installed above a cooking appliance with a high level grill.
- The hood cannot be connected to flues of other appliances that run on energy sources other than electricity.
- The air outlet must not be connected to chimney flues or combustion gas ducts. The air outlet must under no circumstances be connected to ventilation ducts for rooms in which fuel-burning appliances are installed.
- It is advisable to apply for authorization from the relevant controlling authority when connecting the outlet to an unused chimney flue or combustion gas duct.  
The air outlet installation must comply with the regulations laid down by the relevant authorities.
- When the unit is used in its extractor version, a sufficiently large ventilation hole must be provided, with dimensions that are approximately the same as the outlet hole.
- National and regional building regulations impose a number of restrictions on using hoods and fuel-burning appliances connected to a chimney, such as coal or oil room-heaters and gas fires, in the same room.

- Regulations on fuel-burning systems specify a maximum depression of 0.04 bar in such rooms.
- Hoods can only be used safely with appliances connected to a chimney if the room and/or flat (air/environment combination) is ventilated from outside using a suitable ventilation hole approximately 500-600 cm<sup>2</sup> to avoid the possibility of a depression being created during operation of the hood.  
If you have any doubts, contact the relevant controlling authority or building inspector's office.
- Since the rule for rooms with fuel burning appliances is "outlet hole of the same size as the ventilation hole", a hole of 500-600 cm<sup>2</sup>, which is to say a larger hole, could reduce the performance of the extractor hood.
- If the hood is used in its filtering function, it will operate simply and safely in the above conditions without the need for any of the aforementioned measures.
- When the hood is used in its extractor function, the following rules must be followed to obtain optimal operation:
  - short and straight outlet hose
  - keep bends in outlet hose to a minimum
  - never install the hoses with an acute angle, they must always follow a gentle curve only
  - keep the hose as large as possible (120 mm Ø min.).
- Failure to observe these basic rules will drastically reduce the performance and increase the noise levels of the extractor hood.



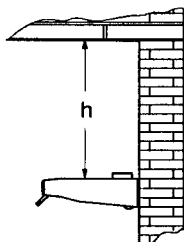
## Wall mounting

- Fix the drilling template to the wall.
  - Make 3  $\varnothing$  8mm holes in the wall 2 at points I, 1 as desired at points L.
  - Insert the three  $\varnothing$  8mm expansion plugs into the wall.
  - Insert 2 5x45 screws at points I but do not tighten them completely.
  - Adjust the unit so that it is positioned at a right angle to the wall by turning the two support screws G.
  - Fit the hood into holes I, tighten the 2 screws.
  - From inside the hood, insert the third 5x45 screw into hole L. —
- Fig. 4.**



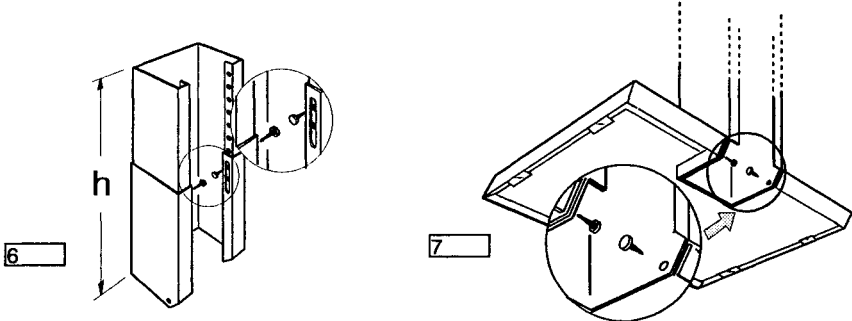
4

- Measure the height between the upper side of the body of the cooker hood and the ceiling (fig. 5).

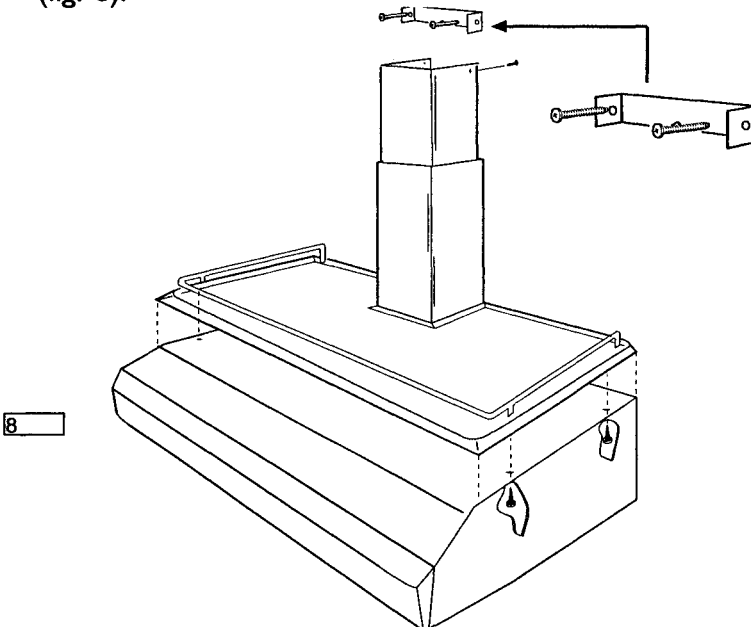


5

- Set the chimney according to the measured height and stop its run with the two fixing screws 2,9x6,5 mm supplied (fig. 6).

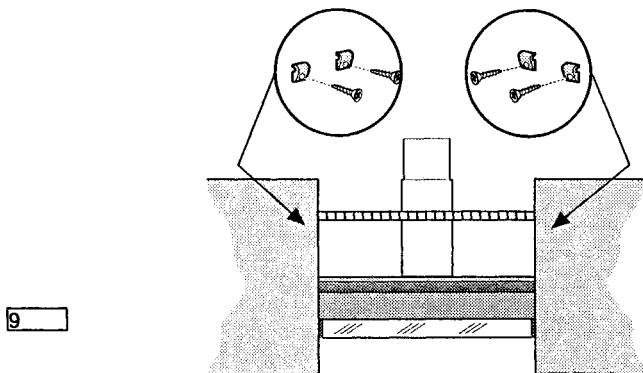


- Fix the chimney to the aesthetic top with two screws 2,9x6,5 mm supplied (fig. 7).
- From the inside of the hood, fix the aesthetic top with four screws M3x6 supplied (Two each side)(fig. 8).
- Fix the upper bracket to the wall, close to the ceiling, perpendicularly to the outlet hole of the hood with 2 screws 5x45 mm (fig. 8).
- Fix the chimney to the bracket with two screws 2,9x6,5 mm (fig. 8).



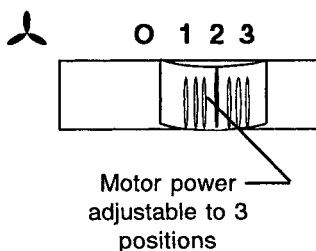
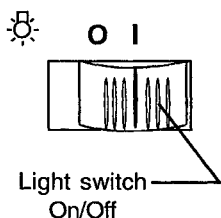
## Fixing the shelf

- Fix the four plastic supports with the four screws provided to the height preferred.



## Hood Operation

- The hood is fitted with a variable speed motor. The most effective use of the hood is obtained by switching it on a few minutes before you start cooking and leaving it on for approximately 15 minutes after you have finished, thus ensuring all cooking odours are eliminated. The control switches are located on the unit's front panel:
- the **light switch** switches the hood lamp on and off;
- the **motor switch** switches extractor motor on and off, enabling you to select one of the three different speeds.



## Safety warnings for user

---

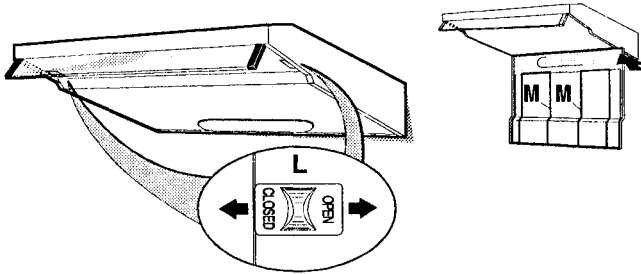
- Never leave a cooking hob or ring on without a pot or pan on top of it, to avoid the possibility of excess heat damaging the unit. Gas, oil or coal cooker flames in particular should never be left uncovered.
- Special care should be taken when using deep fat fryers since the oil in them can overheat and burst into flames.
- The risk of a fat fire increases when using dirty oil.
- It is extremely important to note that overheating can cause a fire.
- **Never carry out any flambé cooking under the hood.**
- **Always disconnect the unit from the power supply before carrying out any work on the hood, including replacing the light bulb** (take the cartridge fuse out of the fuse holder or switch off the automatic circuit breaker).
- **It is very important to clean the hood and replace the filter at the recommended intervals. Failure to do so could cause grease deposits to build up, causing a fire hazard.**

# Maintenance and care

- The hood must always be disconnected from the mains power supply before beginning any maintenance work.

## Opening the grid

- Open the latch **L** and swing the grille downwards.  
— Fig. 10.
- To remove the grid, pull it forwards from the right and release it.



10

## Grease filter

- The purpose of the grease filter is to aspirate grease particles which form during cooking and it **must** always be used, either in the extraction or recirculate mode..

**Important: the metal grease filters must be removed and washed, either by hand or in the dishwasher, every four weeks.**

### Hand washing

Soak grease filters for about one hour in hot water with a grease-loosening cleaner, then rinse off thoroughly with hot water. Repeat the process if necessary. Refit the grease filters when it is dry.

### Dishwasher machine

Place grease filter in a dishwasher. Select most intensive washing programme and highest temperature, at least 65°C. Repeat the process if necessary. Refit the grease filter when it is dry.

Note: when washing the metal grease filter in the dishwasher a slight discoloration of the filter can occur, this does not have any impact on its performance.

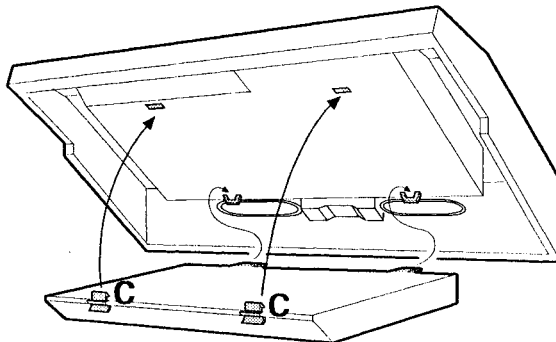
- Clean the inner housing using a hot detergent solution only (never use caustic detergents, abrasive powders or brushes).

## Removing the filter

Open the grid and remove the stops **M** to take out the filter. See Fig. 6.

## Carbon filter

- The activated carbon filter should only be used if you want to use the hood in recirculation mode.
- To do this you will need an original AEG activated carbon filter (available as an accessory).
- This filter cannot be cleaned or reused.
- **As a general rule, the activated carbon filter should be changed once every four months.**
- **Mounting – Fig 11**
  - a. Fit first rearwards on the proper seats.
  - b. Then fix frontwards the carbon filter using hooks **C**.
- **Dismounting :**  
Unhook the carbon filter from its housing pushing hooks **C**.



- Always specify the hood model code number and serial number when ordering replacement filters. This information is shown on the rating plate located on the inside of the unit.
- The activated carbon filter can be ordered from AEG Service Force.

## Warning

---

- Failure to observe the instructions on cleaning the unit and changing the filters will cause a fire hazard. You are therefore strongly recommended to follow these instructions.

## Changing the light bulb

---

- Disconnect the unit from the mains power supply.
- Remove the grid.
- Replace the old light bulb with a new light bulb (40 W max.).
- If the light does not come on, make sure the bulb has been screwed in correctly before contacting AEG Service Force.

## Cleaning

- **Warning:** always disconnect the hood from the mains power supply before cleaning it.  
Never insert pointed objects in the motor's protective grid.
- Wash the outside surfaces using a mild detergent solution. Never use caustic detergents or abrasive brushes or powders.
- Only ever clean the switch panel and filter grille using a damp cloth and delicate detergents.
- It is extremely important to clean the unit and change the filters at the recommended intervals. Failure to do so will cause grease deposits to build up that could constitute a fire hazard.

## Special accessories

MKZ telescopic wall pipe	E-Nr. 610 899 004
outlet hose ABS100 100 mm Ø	942 118 610
outlet hose ABS120 120 mm Ø	942 118 611
Metal grease filter MFF2	942 118 633
Carbon filter KFF	942 118 629



# Something not working

If your cooker hood fails to work properly please carry out the following checks.

Sympton	Solution
The cooker hood will not start...	The hood is connected to the electricity supply. Check that the fan speed control is set to 1, 2 or 3.
The cooker hood is not working effectively...	The fan speed is set high enough for the task. The grease filter is clean. The kitchen is adequately vented to allow the entry of fresh air. If set up for recirculation, check that the charcoal filter is still effective. If set up for extraction, check that the ducting and outlets are not blocked.
The cooker hood has switched off during operation...	The safety cut-out service has been tripped. Turn off the hob and then wait for the device to reset.

If after all these checks, the problem persists, contact your local Service Force Centre, quoting the model and serial number.

Please note that it will be necessary to provide proof of purchase for any in-guarantee service calls.

In-guarantee customers should ensure that the above checks have been made as the engineer will make a charge if the fault is not a mechanical or electrical breakdown.

# Service & Spare Parts

If you require a service engineer or wish to purchase spare parts, contact your local AEG Service Centre, by telephoning:

**0990 929929**

## Help us to help you

Please determine your type of enquiry before telephoning. When you contact us we need to know.

1. Your name, address and post code
2. Your telephone number
3. Clear and concise details of the fault.
4. The model, serial number (E-Nr) and the manufacturing number (F-Nr) (This information can be found on the rating plate).
5. Date of purchase.

## Customer Care

For general enquiries regarding your AEG appliance, or further information on AEG products please contact our customer care department.

Customer Care Department  
AEG Domestic Appliances Limited  
PO Box 47  
Newbury  
Berkshire RG14 5XL

Tel: 01635 572700

Fax: 01635 42970



AEG Hausgeräte AG  
Postfach 1036  
D-90327 Nürnberg 1  
© Copyright by AEG

**LI03ZA**

**AEG Domestic Appliances Ltd**  
Customer Care Department  
55-77 High Street  
Slough  
Berkshire SL1 1DZ  
Telephone: 08705 350350