

820 D / 8209 D

Built-in Chimney Fume
Extractor Hood

Operating Instructions

Contents

Introduction	17
Extractor version	17
Filter version	18
Safety warnings for kitchen unit installer	19-20
Electrical connections	20
Safety warnings for electrician	20
Safety warnings for the user	21
Installation	22
Installation	22
Installing the outlet duct (extractor version)	23
Installing the outlet duct (filter version)	24
Controls	25
Control panel	25
Care and maintenance	26
Metal grease filters	26
Activated carbon filter	27
Cleaning	27
Changing the alogen light bulbs	27
Specifications	28
Special accessories	29
Technical assistance service	29

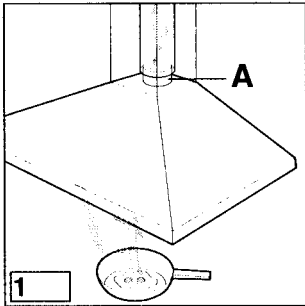


Introduction

The hood is supplied as an extractor unit and can also be used with a filtering function by fitting an activated carbon filter (special accessory).

You will need original AEG activated carbon filter for this function (see Special Accessories).

The air is forced out through a hose fitted to the connection flange **A**. **Fig. 1**



The outlet hose must have a diameter of 120 mm (special accessory) for the filtering version.

If the cooking vapour is passed through an outside wall, you will need an MKZ telescopic wall pipe (with intake and ventilation) E-Nr. 610 899 004 (120 mm Ø) from our range of special accessories.

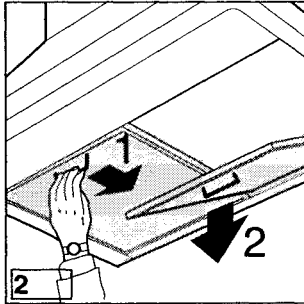
**Extractor
version**

Filter version

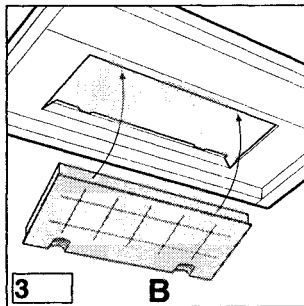
The air is filtered through an activated carbon filter and passed back into the kitchen through the grating. This type of operation is chosen when there is no outlet connection to the outside or when it is not possible to install one. You will need to ask your supplier or technical assistance centre for an activated carbon filter for this type of operation, stating the hood model for which it is required.

Proceed as follows to fit the activated carbon filter:

- remove the grease filters by pushing the handles back (1) and then pulling them downwards (2) (Fig. 2).



- Insert the carbon filter into place by sliding it in first at the front and then at the back. Fix it with the locking tabs (red keys fig.3, B) on the active carbon filter.



You will need an original AEG KLF 60/80 activated carbon filter for the filtering function. (See Special Accessories).

**Safety
warnings for
kitchen unit
installer**

The air outlet must not be connected to chimney flues or combustion gas ducts. The air outlet must under no circumstances be connected to ventilation ducts for rooms in which fuel-burning appliances are installed.

It is advisable to apply for authorization from the relevant controlling authority when connecting the outlet to an unused chimney flue or combustion gas duct.

The air outlet installation must comply with the regulations laid down by the relevant authorities.

When the unit is used in its extractor version, a sufficiently large ventilation hole must be provided, with dimensions that are approximately the same as the outlet hole.

National and regional building regulations impose a number of restrictions on using hoods and fuel-burning appliances connected to a chimney, such as coal or oil room-heaters and gas fires, in the same room.

The Italian decree on fuel-burning systems specifies a maximum depression of 0.04 mbar in such rooms.

Hoods can only be used safely with appliances connected to a chimney if the room and/or flat (air/environment combination) is ventilated from outside using a suitable ventilation hole approximately 500-600 cm² large to avoid the possibility of a depression being created during operation of the hood.

If you have any doubts, contact the relevant controlling authority or building inspector's office.

Since the rule for rooms in which fuel burning appliances are not installed is "outlet hole of the same size as the ventilation hole", a hole of 500-600 cm², which is to say a larger hole, could reduce the performance of the extractor hood.

If the hood is used in its filtering function, it will operate simply and safely in the above conditions without the need for any of the aforementioned measures.

When the hood is used in its extractor function, the following rules must be followed to obtain optimal operation:

- short and straight outlet hose
- keep bends in outlet hose to a minimum
- never install the hoses with an acute angle, they must always follow a gentle curve only
- keep the hose diameter as large as possible (120 mm \varnothing)

Failure to observe these basic rules will drastically reduce the performance and increase the noise levels of the extractor hood.

**Safety
warnings for
electrician**

When installing the hood, make sure you respect the following minimum distances between the bottom edge of the hood and the top edge of the cooking hob/ring surfaces:

electric cookers	600 mm
gas cookers	650 mm
coal and oil cookers	700 mm min.

Electrical connections

The socket with earth connection must be installed in an easily accessible place so that the unit can easily be disconnected from the power supply by pulling out the plug.

If a fixed connection is required, the hood must be installed exclusively by an electrician registered with the local electrical company. The hood installation must incorporate a switch.

Fused switches can be used for this purpose (with cartridge fuses that can be extracted from the fuse holder), as can automatic circuit breakers and contactors which open to more than 3 mm.

Electrical connections

230 V - using fixed power supply line with plug having earth connection (European version).

(The unit should only be connected up by an authorized electrician).

Safety warnings for user

Never leave a cooking hob or ring on without a pot or pan on top of it, to avoid the possibility of excess heat damaging the unit. Gas, oil or coal cooker flames in particular should never be left uncovered.

Special care should be taken when using deep fat fryers since the oil in them can overheat and burst into flames.

The risk of a fat fire increases when using dirty oil.

It is extremely important to note that overheating can cause a fire.

Never carry out any flambé cooking under the hood.

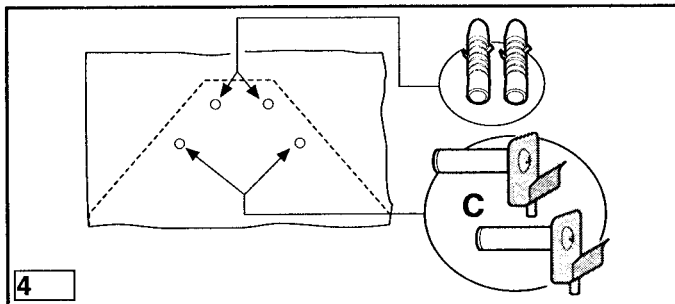
Always disconnect the unit from the power supply before carrying out any work on the hood, including replacing the light bulb (take the cartridge fuse out of the fuse holder or trip the automatic circuit breaker).

It is very important to clean and replace the filters at the recommended intervals. Failure to do so could cause grease deposits to build up, causing a fire hazard.

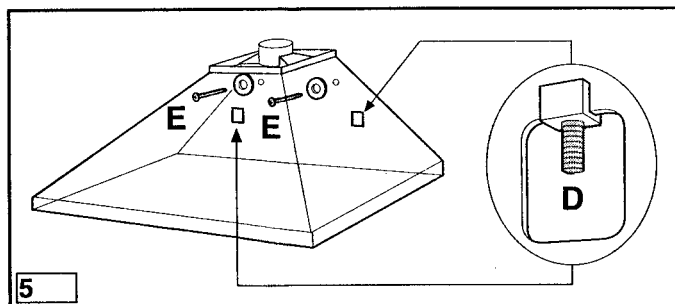
Installation

Installation

1. Place the template on the wall - at the right height from the worktop (see pag. 20) - and make two \varnothing 8mm holes at the top and two \varnothing 12mm holes (**C**) at the bottom. **Fig. 4**.
2. Insert 8mm expansion plugs at the top and 12mm ones at the bottom.
3. Fit the 2 C hooks into the bottom holes.



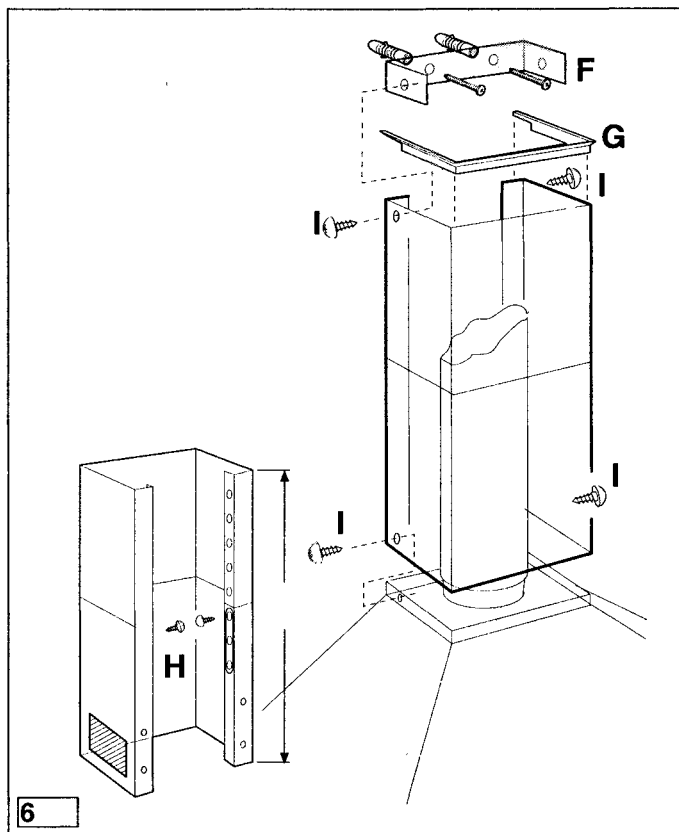
4. Remove the metal grease filters.
5. Hang the hood onto hooks **C** by means of the two slots and align horizontally with the two **D** screws. **Fig. 5**.
6. Definitively fix the hood with the two **E** 5x45 screws and the \varnothing 5-20mm washers in the two top holes.



7. Refit the metal grease filters.

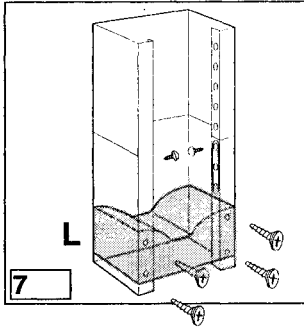
1. Fix the bracket on flue **F** with the screws and 8mm expansion plugs supplied on a vertical level above the hood frame below the kitchen ceiling.
2. Apply the supplied plastic frame **G** to the top edge of the flue and fix it. **Fig. 6.**
3. Take the measure between the ceiling and the hood top, and adjust the duct to this height. Fasten it with the screws **H**. **Fig. 6.**
4. Insert the flue with the grating at the bottom and fix it with 2 screws **I** first above the flue fixing bracket and then below the support frame. **Fig. 6.**

Installing the outlet duct (extractor version)



**Installing
the outlet
duct
(filter
version)**

Proceed exactly as indicated in the last paragraph; it should however be ensured that the deflector **L** is fixed in the exhaust tube with the appropriate screws. **Fig. 7.**




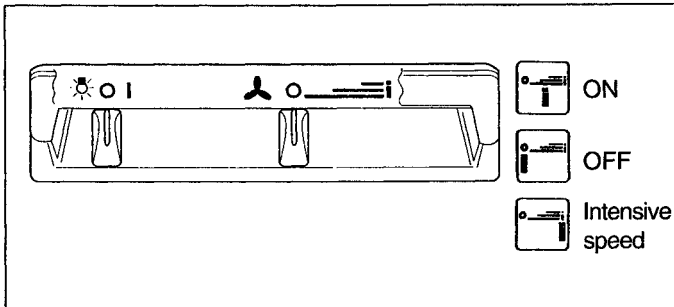
Controls

The control panel of the fan hood is on the front of the appliance. The two cursor switches are for the various fan functions: one is for the fan speed and the other is for the hob light.

The button with the “☀” symbol is for switching on and off the hob light.

The button with the “☸” symbol is used to adjust the fan speed or intensity. It is advisable to use low speeds when cooking food that produces an average amount of steam and odour; the more steam and odour there is, the higher the speed should be.

You should always turn on the Intensive speed setting  when there is a large quantity of fumes in the kitchen.



Control panel

Care and Maintenance

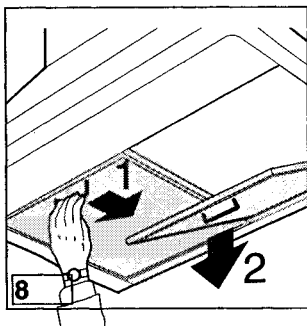
Always turn off the appliance before carrying out any repair or maintenance work. For safety reasons, unplug at the wall socket.

Metal grease filters

The purpose of the grease filters is to aspirate grease particles which form during cooking and it **must** always be used, either in the external evacuation or internal recycling function.

You should take out the grease filters every four weeks and wash them either in the dishwashing machine or by hand.

To remove the grease filters, first push them towards the wall behind the appliance (1) and then pull downwards (2).



Hand washing

Soak grease filters for about one hour in hot water with a grease-loosening cleaner, then rinse off thoroughly with hot water. Repeat the process if necessary. Re-fit the grease filters when they are dry.

Dishwasher machine

Place grease filters in dish washer. Select most powerful washing programme and highest temperature, at least 65°C. Repeat the process. Re-fit the grease filters when it are dry.

Clean the inner housing using a hot detergent solution only (never use caustic detergents, abrasive powders or brushes).

If the hood is to be used as an internal recycling appliance, an original AEG active carbon filter is needed (see special accessories).

It is neither washable nor re-usable.

In normal cooking conditions, we recommend that it be replaced every 4 months.

To replace the active carbon filter, push the locking tabs **B** inwards and the filter downwards (see diagram on pag. 18).

When ordering a new active carbon filter, indicate the model description and fan hood serial number. This information can be found on the data plate inside the appliance.

Filters can be ordered at any AEG customers' service centre.

Warning: always disconnect the hood from the mains power supply before cleaning it.

Never insert pointed objects in the motor's protective grille.

Clean the outside surfaces using a delicate detergent solution. Never use caustic detergents, abrasive powders or brushes.

Only ever clean the control panel and filter grille using a damp cloth and delicate detergents.

It is extremely important to clean the unit and change the filters at the recommended intervals. Failure to do so will cause grease deposits to build up that could constitute a fire hazard.

Always turn off the electricity before replacing lamps:

1. Remove the blown halogen light bulb using a screwdriver.
2. Only ever use halogen light bulbs with a maximum of 20 W.
3. Fit the new light bulb taking care to ensure its contacts are correctly fitted in the connector.

If the lighting fails to work, make sure that the halogen light bulbs have been fitted correctly before contacting the technical assistance service!

IMPORTANT NOTE

The manufacturer declines all responsibility for any damage to the motor or any fire damage linked to inappropriate maintenance or failure to observe the above safety recommendations.

Activated carbon filter

Cleaning

Changing the halogen light bulbs

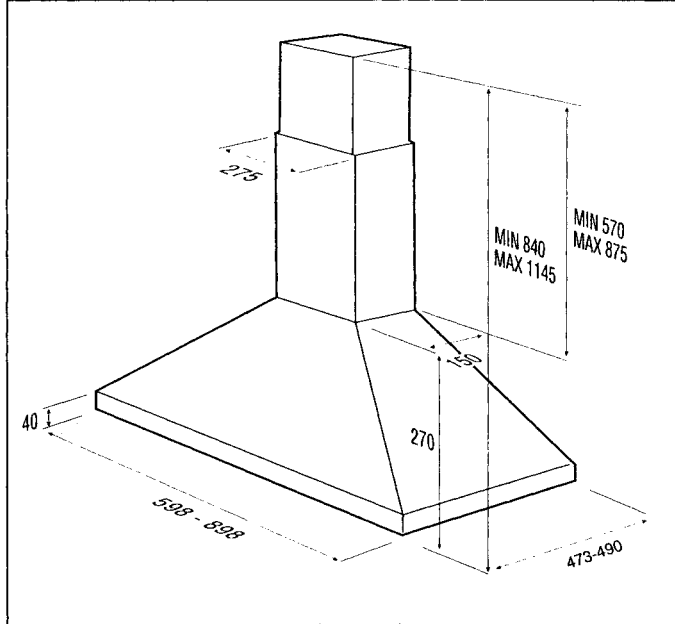
Specifications

Dimensions

Height - from 840 to 1145 mm

Width - 598 mm - 898 mm

Depth - 473 mm - 490



Weight 820 D 8209 D

Net: 11,5 kg 15,9 kg

Absorbed power: 230 W

Motor: 186 W

Lighting: 2 x 20 W halogen light bulbs

Length of the cable: 100 cm

Suction power (speed), levels in compliance with DIN 44 971

Extractor version: min 221 m³/h, max 374 m³/h, 475 m³/h

Filter version: min 175 m³/h, max 310 m³/h, 393 m³/h

Special accessories

MKZ telescopic wall pipe	E-Nr. 610 899 004
Outlet hose ABS 120 (120 mm Ø)	942 118 611
KLF 60/80 activated carbon filter	610 899 421

Technical assistance service

You are welcome to telephone our technical assistance service (see list of technical assistance centres) whenever you need information or in the unlikely event of a fault.

When calling, please be ready to specify:

1. The model code number
2. The serial number (E-Nr.)
3. The manufacturing number (F-Nr.)

This information is shown on the registration plate inside the unit behind the grease filter grille.

We reserve the right to change specifications and colours as a result of our policy of continuing technological development.

If your appliance has a fault, please contact our service engineer and state the following numbers:

E-Nr. 610

F-Nr.

L 588A Ed. 09/96

AEG Hausgeräte AG
Postfach 1036
D-90327 Nürnberg 1
© Copyright by AEG
H 259 214 900

AEG Domestic Appliances Ltd
Customer Care Department
55-77 High Street
Slough
Berkshire SL1 1DZ
Telephone: 08705 350350