

**AEG**

Dunsthauben

Cooker hoods

D 6.02

Hottes aspirantes

D 6.03

Wasemkap

Montage- und Gebrauchsanweisung

Operating Instructions

Mode d'emploi

Montage- en Gebruiksaanwijzing

Dear Housewife,  
Congratulations! With your cooker hood you have acquired an appliance of advanced technology and sophisticated design!

By re-arranging the fan, our technicians were able to achieve a high extraction rate at lowest noise level.

**The dimensions of this appliance (see fig. 1) are such that it can be fitted flush with even the smallest known wall cupboard which is on the market today.**

If you wish to do any deep-frying under your cooker hood, then please remember to supervise the operation throughout. As you know, oil can ignite when overheated and stale oil ignites even quicker. Therefore, a fire could be caused very easily. Do not flambé under the cooker hood.

## Installation and description

The cooker hood may be used as a ducted or ductless hood. If there is a ventilation or extraction facility (air duct or air shaft), it is advisable to connect the cooker hood to this air outlet. This ensures that most of the cooking vapours are drawn off. A grease filter traps any grease particles contained in the cooking vapours. Your kitchen - furniture and walls - remains free from harmful substances and the smell of cooking.

When using the cooker hood as a ductless, i.e. air-return type cooker hood, it is fitted with an activated carbon filter.

The drawn-in air with the cooking vapours passes first through the grease filter and then through the activated carbon filter.

This activated carbon filter is of optimum efficiency, based on the present standard of technology. It traps harmful substances and odours which would otherwise settle on furniture and walls.

Please note our recommendations for the use and maintenance of cooker hoods.

## Installation

### Key to fig. 1

- 1 = light over cooking area
- 2 = grease filter frame
- 3 = pull-out vapour guide, removable
- 4 = overhead wall cupboard

## Electrical connection

The cooker hood comes complete with a power supply cable of about 1.5 m in length.

The cooker hood may be connected directly to any earthed socket outlet which has been properly installed in accordance with Electricity Board regulations.

Please remember to always pull out the plug before carrying out any mechanical or electrical repairs and before removing any of the covers.

The sketch shows the most favourable positions for the power socket. Arranging the socket directly above the top wall cupboard has two advantages:

1. the socket is not visible
2. the cooker hood is easy to disconnect from its power supply by pulling the plug.

When routing the connecting cable up or down from the cooker hood casing, it is necessary to insert the protective grommets attached to the cable in the appropriate places on the casing. The cooker hood may be wall-mounted as an independent unit or fitted between wall cupboards. An adjustable mounting bracket means that the cooker hood may be pulled forward by up to 7 cm. In this way the cooker hood can be aligned with any type of kitchen furniture.

## Air outlet

The cooker hood is designed with an air outlet opening both at the top and at the rear (fig. 2a).

Because of the improved performance, it is desirable to use the top outlet whenever possible.

**When used as an extractor type cooker hood** the enclosed connecting pipe should be inserted in the air outlet opening and locked in position through clockwise rotation. The unused second opening should be blanked

off in the same manner, using the cover provided. If for some reason or other you wish to remove this cover, insert a screw driver at the small mark under the rim of the cover and turn the cover anti-clockwise.

**Please note the following points when using the appliance as an extractor type hood.**

The shorter the discharge pipe and the less bends – the greater the efficiency of the hood.

When connecting the cooker hood to a ventilating duct, we recommend the use of the highly flexible waste-air hose offered with our range of accessories. You may obtain this hose in the required length from your electrical dealer.

To direct the air through the wall into the atmosphere, connection is best effected to a wall box from our range of accessories. Connection between this box and the cooker hood is by means of the waste-air hose. The wall box fits into an opening of 175 x 175 mm and can be adapted to any wall thickness of up to 500 mm. Fig. 2 shows a schematic drawing of this useful accessory. Your electrical dealer will be pleased to provide you with full details.

Pipes of extreme length necessitate a pipe dia. of 120 mm. Care must, however, be taken not to exceed a back pressure of 10 mm water column. Please ensure to maintain a minimum gradient of 5 cm per metre of pipe length when routing the pipe horizontally. **The waste air must not be fed into a flue or chimney.**

If the cooker hood is being used for extraction in a kitchen with a central heating boiler that uses a chimney for exhausting waste gases, it is advisable to provide an air vent in the kitchen door in order that the efficiency of the boiler is not impaired.

**When used as an air-return type cooker hood,** fit the air outlet grid (also provided) to the top opening and secure it with 2 screws.

The curved slats must point forward to direct the purified air current into the room centre. The rear opening should be blanked off with the cover provided.

The air outlet grid must not be covered when the cooker hood is used as an air-return type appliance.

## **Please note before installation**

The cooker hood must always be fitted over the centre of the cooker or hob unit.

The distance between top edge of electric cooker or hob and bottom edge of cooker hood must not be less than 65 cm.

In the case of gas cookers and gas hobs the minimum distance is 70 cm.

To prevent any build-up of heat under the cooker hood, gas burners should never be lit unless covered with a pan. Lighting a gas burner without pan results in temperatures which would cause damage to the cooker hood.

## **Wall mounting**

1. Stick the template enclosed with the mounting brackets to the wall in the required position and drill the holes indicated.
2. Insert the dowel pins and screw in the threaded hooks so that the brackets can just be fitted (fig. 4/1).
3. Any gap between bottom edge of cooker hood and wall is compensated by means of the enclosed plastic panel. Screw this panel to the bottom rear edge of the cooker hood by means of the 4 sheet screws (self tapping screws) provided. The 2 screws on the far left and right are tightened only slightly. Make sure that the panel points upwards when the cooker hood is mounted (Fig. 4 a).
4. Having removed the filter, insert the brackets from the rear into the cooker hood (see fig. 4) and secure lightly from inside.
5. Hang the cooker hood complete with brackets on the threaded hooks. To facilitate this, pull the brackets rearward from the hood, namely to the limit stop of the elongated holes. (7 cm approx.).
6. By operating the adjusting screws of the brackets (fig. 4/2), you can now adjust the cooker hood up to 10 mm up or down as well as levelling the rear edge of the hood.

7. The vapour hood can be aligned to a horizontal position by using the adjusting screws supplied with hood. Take off the lamp covers by unscrewing the screws as per ill. 11/2. You will see a screw nut at both sides of the rear of the hood. Screw in to these nuts the screws (use either long or short screws depending on the gap between appliance and wall) until the hood is in good horizontal position.
8. It is essential to additionally secure the cooker hood at the back or sides to ensure that it is not lifted off the wall hooks when operating the flap.  
(Important: When re-fitting the lamp covers, the serrated washers must be re-inserted to maintain earth continuity of the cover).
4. Swing out the hinge at the top of the cooker hood, insert the locking bolts of the wooden vapour guide front in the retaining holes of the hinge and secure everything by turning the enclosed bayonet catches (fig. 7/1) clockwise. Please note: Minimum thickness for all wooden fronts is 14 mm (see fig. 8).

### Matching your existing door

The decor frame holds decor panels which match your existing kitchen furniture and which you may obtain from the furniture manufacturer. The assembly is carried out as follows:

1. Remove the vapour guide as indicated in the instructions and place it on a table or a similar surface.
2. Place decor panel supplied by furniture manufacturer with the dimensions 593 x 477 mm and a maximum thickness of 3 mm, on vapour guide (Figs. 5/2 and 5 a).
3. Surround vapour guide by decor frame as shown in Fig. 5/1 and secure frame on the top and on the bottom by 4 screws Fig. 5/3. By tightening these screws the frame is firmly pressed onto the decor panel.
4. Re-fit vapour guide to the appliance.

### Cupboard mounting

To facilitate screwing the cooker hood to an overhead cupboard, the hood is provided with 4 nuts at the top. Use the template provided to mark and drill the necessary holes on the cupboard floor. Fit the enclosed plastic cover strip as described in the previous paragraph under point 3.

The cooker hood can now be screwed to the overhead cupboard (use the 2 shorter screws at the front).

With either mounting method the cooker hood must additionally be fixed to the adjoining cupboards on the left and right. For this purpose the two side panels are provided with 2 holes each. Should there be no wall cupboards next to the cooker hood it is necessary to secure it to the wall. For this 2 holes are provided in the rear panel of the appliance (first insert the 2 screws as described under point 7 of this paragraph).

### Fitting the wooden front

1. Place the front side of the template enclosed on the inside of the wooden front, mark the 7 upper holes (fig. 8) and drill them 10 mm deep with a drill of 2,5 mm  $\phi$ .
2. Affix lightly and adjust the retaining plate by means of the screws provided.
3. After having adjusted, drill the upper 3 holes and insert the remaining screws. Now secure all 10 screws.

### Fitting of balance weight

(only necessary in case of wooden fronts)

1. Hold grease filter frame on tag (Figs. 10/2 and 11), tilt slightly forward, lift upwards from lower locks (Fig. 11/1) and remove downwards from appliance.

**Important:** Due to danger of getting hurt the locking screw (Fig. 6/6) on the side of the balance weight must not be removed prior to attaching the rod (Fig. 6/3).

2. Insert bolt of rod (Fig 6/4) into eye hinge and secure it by spring (Fig. 6/5) which is fixed into groove of bolt and lift upwards until it engages above rod.
3. Hold hinge and only now remove locking screw (Fig. 6/6).

**Important:** The locking screw must be removed under all circumstances!

## Fitting of activated carbon filter

1. Disconnect the appliance from the power supply.
2. Remove the grease filter frame.
3. With the 2 lugs pointing upwards, fit the activated filter into the 2 retaining holes (Fig. 9/1) after removing plastic rivets.
4. Push the 2 expanders (Fig. 9/2) into the 2 bottom holes (Fig. 9/3) after removing plastic rivets.
5. Refit the filter frame.

## Adjustment of vapour guide

If necessary, the brakes of the flap can be readjusted by means of the screws as per ill. 10/3.

## Illumination of the cooking area

The cooker hood features 2 bulbs (60 W each) to illuminate the cooking area. Please proceed as follows to replace a bulb:

1. Disconnect the appliance from its power supply.
2. Fully open the vapour guide.
3. Remove front panel and grease filter.
4. Remove the screws Fig. 11/2 and lift off the light cover.
5. Replace the bulb (s).

**Important:** When re-fitting the lamp covers, the serrated washers must be inserted to maintain earth continuity of the cover.

## Operation

### Important notice

After installation of a new appliance and before use, one of the enclosed indicator papers has to be inserted in the saturation indicator. This is carried out as follows:

1. Remove the grease filter frame.
2. After the grease filter frame has been removed, press the button „b” (Fig. 13) and turn it to the left.
3. Now insert the indicator paper in the paper holder „c” (Fig. 13)
4. Depress button „b” (Fig. 13) and turn it clockwise to its stop.

5. The grease filter can now be refitted.
6. After the grease filter has been refitted, press the button „b” (Fig. 13) and turn it to the left so that the indicator paper is visible in the small window to see whether any discolouration (red) has taken place.

The cooker hood should be switched on not later than when starting the cooking process.

The built-in grease and vapour filters are of greater efficiency if the cooker hood is not switched off immediately you end the cooking process, but about 20-30 mins. after the cooking end.

By opening out vapour guide Fig. 1/3 you switch on the fan stage on. Continue to pull out the vapour guide until, in mid-position, fan stage two comes on and shortly before its limit position fan stage three. When closing the vapour guide the relevant fan stage remains switched on until shortly before the OFF position. The light is switched on with the switch Fig. 11/3.

## Care and cleaning of the grease filter

The efficiency of the cooker hood depends largely on the condition of the grease filter. Its absorption capacity is limited. As soon as the indicator paper in the window illustrated in Fig. 13/a shows a red colour, the grease filter is saturated and must be cleaned.

To establish whether any discolouring (red) has taken place, it is necessary to depress the button „b” (fig. 13) and turn it clockwise to its stop. If the indicator square „a” shows any red discolouring, then the grease filter must be cleaned and the indicator paper replaced. The indicator paper can be replaced after the grease filter has been removed – see operating instructions, section „Care and Maintenance”, items 1-4. Remove the discoloured indicator paper. **Thoroughly** clean the indicator square and paper holder before a new paper is inserted. The grease filter can now be refitted. **IMPORTANT:** In operating condition the indicator paper must be moved left behind the grease filter by depressing knob „b”.

The grease filter can be cleaned about 6 times before it has to be replaced. The procedure for removing and cleaning the filters is as follows:

1. Disconnect the appliance from the power supply by either pulling the plug or removing the fuses.
2. Open out the vapour guide.
3. Turn the retaining eccentric (fig. 10/1) by 180° to the left or right; holding the filter frame tight whilst doing this.
4. Hold the filter frame by the grip (figs. 10/2 and 11), tilt it slightly forward, lift it from its bottom catches (fig. 11/1) and remove it downward from the cooker hood itself.
5. Open the wire bracket of the filter frame (fig. 12/1) and remove the filter pad.
6. Wash the filter pad in warm water of max. 45° C to which a mild detergent has been added.
7. Refit the dry filter in the reverse order. The filter side marked „Clean air side“ to be on the inside.

### **The activated carbon filter**

(air-return type cooker hoods only) cannot be cleaned. Depending on the usage, it has to be replaced every 1 1/2 to 2 years.

### **How to clean the casing**

Clean the casing with a cloth dipped in lukewarm soap water and well wrung. Wipe dry with a soft dry cloth. The vapour guide can be removed for this operation. The procedure is as follows:

1. Disconnect the appliance from its power supply.
2. Fully open out the vapour guide.
3. Loosen the 2 bayonet catches (Fig. 7/1) through anticlockwise operation (hold the vapour guide tight whilst doing this).
4. Remove the vapour guide from its mountings.
5. Refit the parts in reverse order.

When re-ordering the activated carbon filter please quote the relevant accessory E.No. 610899 101. Should you require other parts or service, quote the E.No. of your appliance.



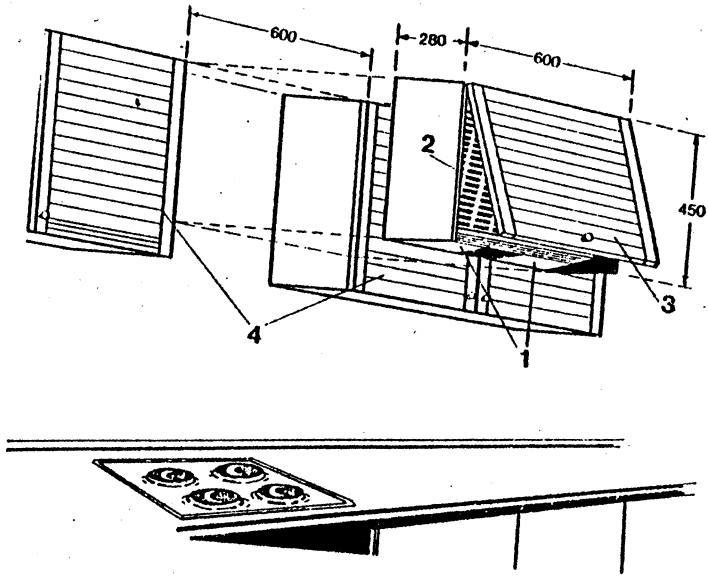


Abb. 1

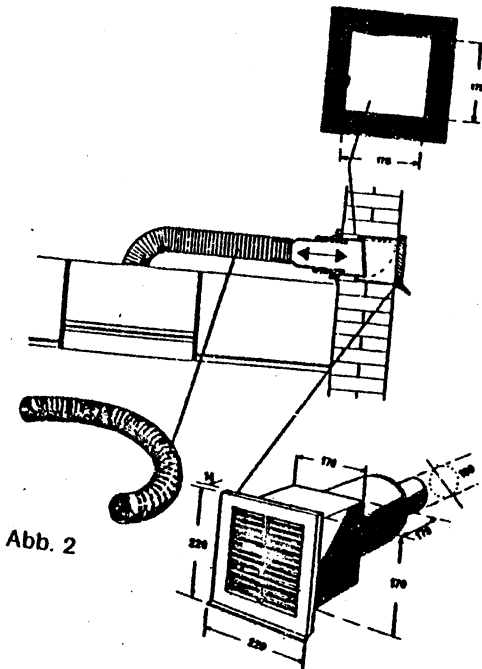


Abb. 2



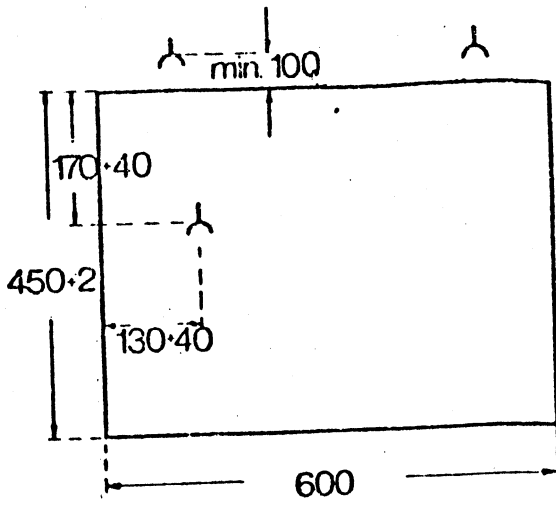


Abb. 3

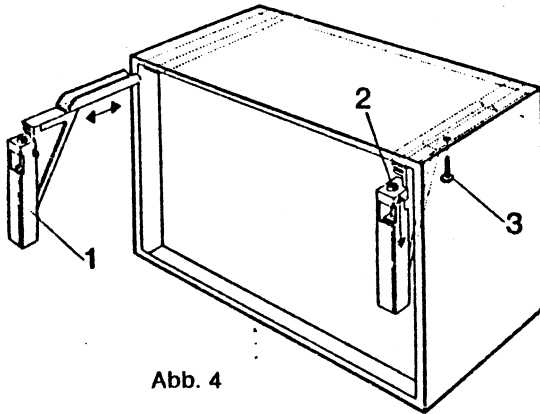


Abb. 4

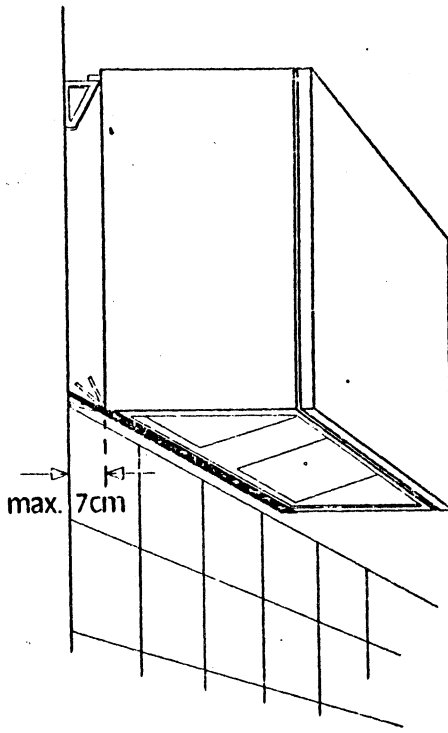


Abb. 4 a

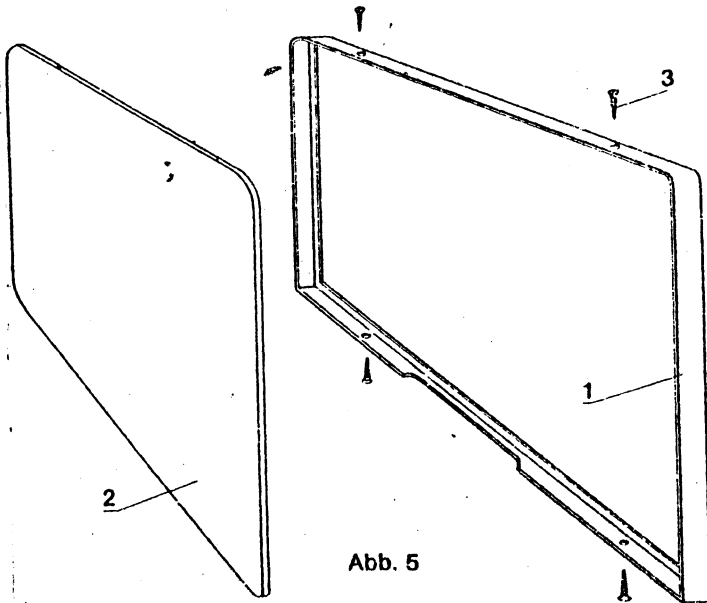


Abb. 5

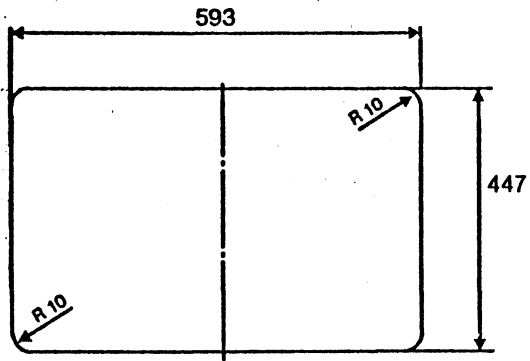


Abb. 5a

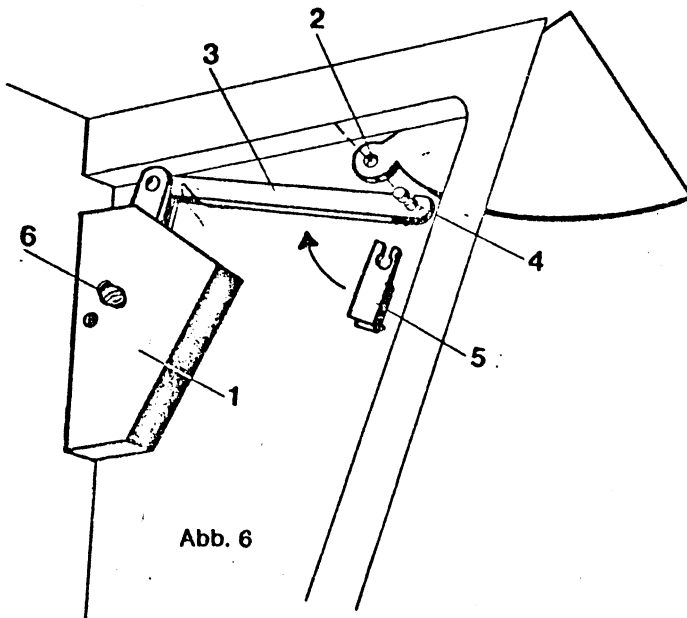


Abb. 6

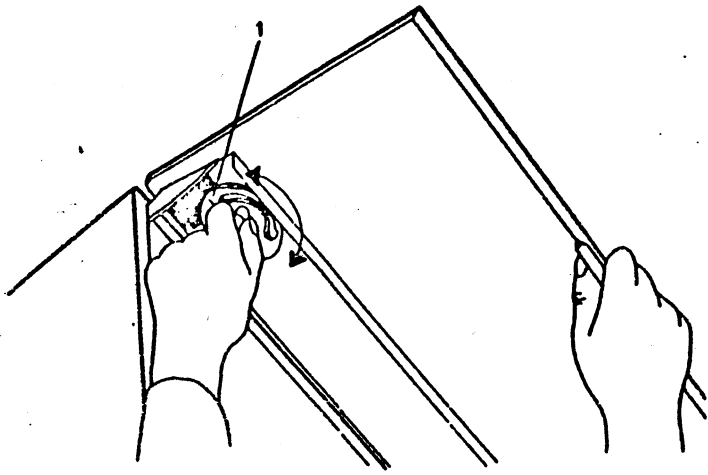


Abb. 7

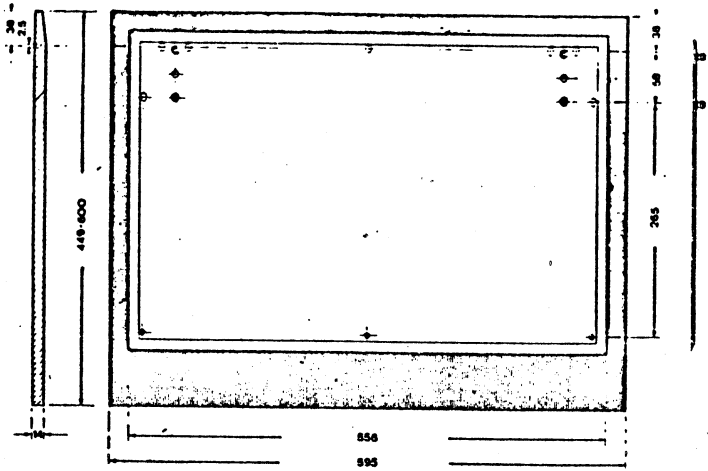


Abb. 8

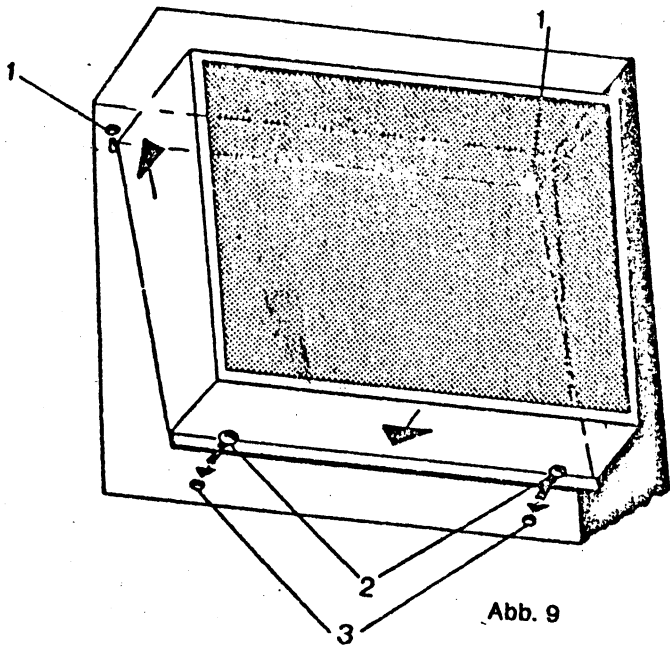


Abb. 9

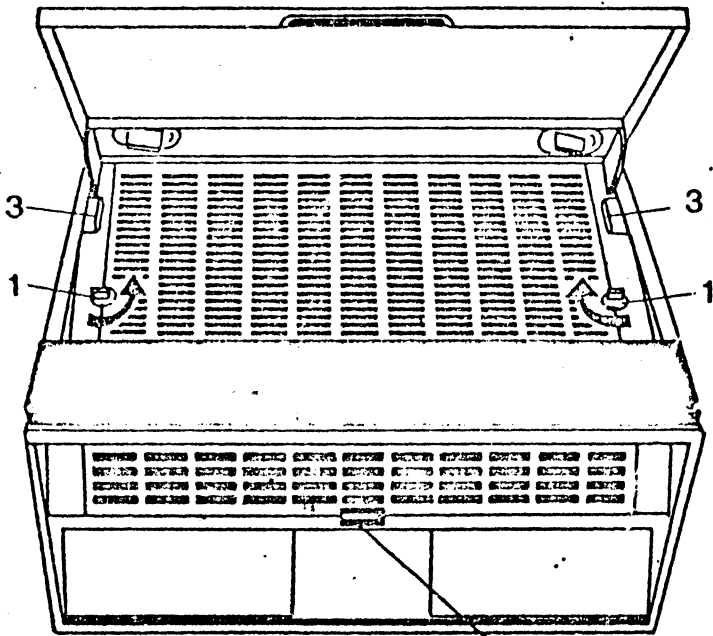


Abb. 10

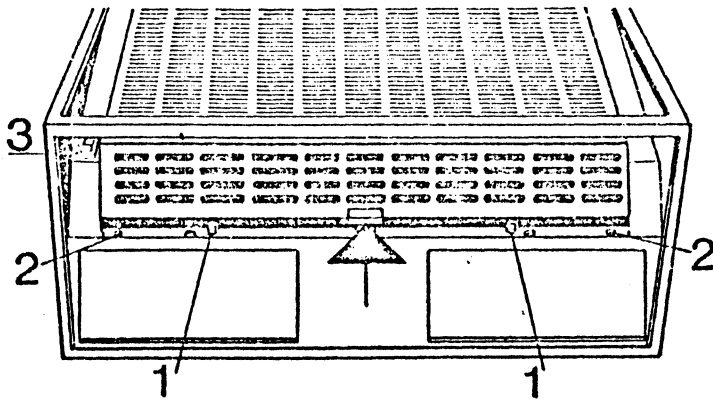


Abb. 11

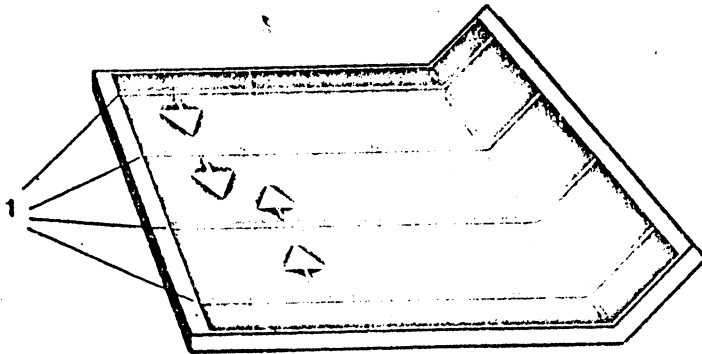


Abb. 12

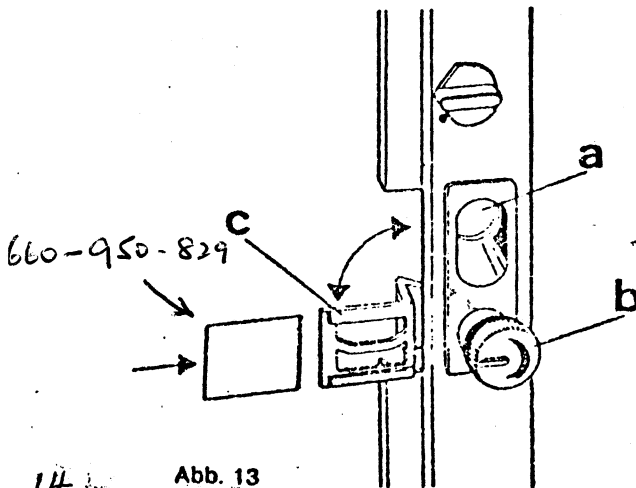


Abb. 13



**H 260 235 100**

**Änderungen vorbehalten!**

**Zeichnungs-Nr. 195.080 262.BAW 9/79/3,9 Es.**