

INSTRUCTION BOOKLET

**ZANUSSI**

**INTEGRATED  
COOKER HOOD  
ZB 350**

Thank you for buying a Zanussi product.

To enable you to use your appliance effectively and safely, please read this instruction book carefully before using the appliance and retain for future reference. If you require guidance in the use of the appliance or require further information on Zanussi Products, please contact our Customer Care Department.

Customer Care Department  
Zanussi Limited  
Zanussi House  
Hambridge Road  
Newbury  
Berkshire  
RG14 5EP

Tel: 01635 521313  
Fax: 01635 42970

**To register ownership, please ensure you complete and return the guarantee card supplied with the appliance.**

## **For the User Important Safety Information**

### **Your Appliance**

Electrical Requirements

#### **Operating Instructions**

Cooker Hood Controls

To Operate

Recirculation

Extraction

### **Maintenance and Cleaning**

External Cleaning

Charcoal Filter

To Remove/Replace the Charcoal Filter

Synthetic Paper Grease Filter

To replace the Paper Grease Filter

To Remove the Charcoal Filter

Changing the Light Bulb

### **Something Not Working**

### **Service and Spare Parts**

### **Peace of Mind for Twenty Four Months**

Standard Guarantee Conditions

## **For the Installer Installation Instructions**

Technical Information

### **Electrical Connections**

Electrical Requirements

Electrical Connection

### **Installing the Cooker Hood**

Installation Requirements

Ducting

Clearance Height

Unpacking

External Cleaning

The fixing kit comprises

Fitting the Wall Brackets

Venting

To Fit the Ducting

To Remove the Charcoal Filter

Recirculation

Fitting the Cooker Hood to the Wall

Decor Panel

Fitting a Decor Panel to the Hood Visor

To Refit the Hood With Decor Panel Attached

Adjustment

## **Guide to use the instruction book**

The following Symbols will be found in the text to guide you through the instruction book



Safety instructions



Step by step instructions

## IMPORTANT SAFETY INFORMATION

**These warnings are provided in the interests of your safety. Ensure that you understand them all before installing or using this appliance. Your safety is of paramount importance. If you are unsure about any of the meanings of these warnings contact the Customer Care Department.**

### ■ Installation

- Any installation work must be undertaken by a qualified electrician or a competent person.
- This hood must be installed in accordance with the installation instructions and all measurements must be adhered to.
- If the cooker hood is installed for use above a gas appliance then the provision for ventilation must be in accordance with the Gas Safety Codes of Practice BS.6172, BS.5440 and BS.6891 (Natural Gas) and BS.5482 (LP Gas) 1994, the Gas Safety (Installation & Use) Regulations, the Building Regulations issued by the Department of the Environment, the Building standards (Scotland) (Consolidated) Regulations issued by the Scottish Development Department.
- The fan motor of this cooker hood incorporates a cut-out device which will operate if the cooker hood is installed below the minimum height recommended under section 'Clearance Height', or if the motor becomes overheated. If the cut-out device is activated, switch off the fan motor and allow the cooker hood to cool. The cut-out device will reset itself when the fan motor has cooled significantly.
- It is dangerous to alter the specifications or modify this product in any way.
- When installed between adjoining wall cabinets the wall cabinets must not overhang the hob.
- If the room where the hood is to be used contains a fuel burning appliance such as a central heating boiler then its flue must be of the room sealed or balanced flue type.
- If other types of flue or appliances are fitted ensure that there is an adequate supply of air to the room.
- The ducting system for this appliance must not be connected to any existing ventilation system which is being used for any other purpose.
- Do not install above a cooker with a high level grill.

### ■ Child Safety

- This appliance is designed to be operated by adults. Children should not be allowed to tamper with the controls or play with the appliance.

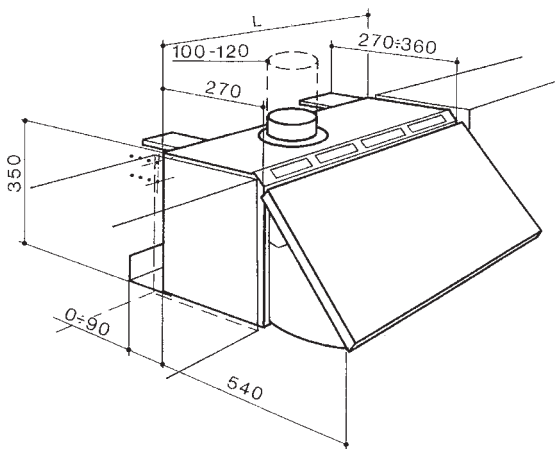
### ■ During Use

- This product is for domestic use only.
- Never leave frying pans unattended during use as over-heated fats and oils might catch fire.
- Never do flambé cooking under this cooker hood.
- Do not leave naked flames under the hood.

### ■ Maintenance and Service

- This appliance can be a hazard if the synthetic paper and charcoal filters are not replaced as recommended.
- Under no circumstances should you attempt to repair the appliance yourself. Repairs carried out by inexperienced persons may cause injury or more serious malfunction. Refer to your local Zanussi Service Force Centre. Always insist on genuine spare parts.

## YOUR APPLIANCE



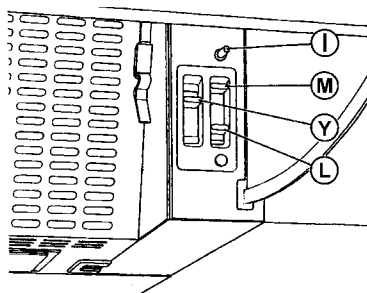
## OPERATING INSTRUCTIONS

This cooker hood is designed to extract unpleasant odours from the kitchen, it will not extract steam.

To obtain the best performance it is advisable to switch on the hood a few minutes before you start cooking and leave it running for approximately 15 minutes after finishing.

### Cooker Hood Controls

- I. Automatic Microswitch  
The microswitch overrides the controls, and switches off the hood when the visor is closed. When the visor is opened the hood will resume the function of previous setting.
- M. Fan ON/OFF Control
- Y. Fan Speed Control  
Position 1 - Low  
Position 2 - Normal  
Position 3 - Boost
- L. Light ON/OFF control



### To Operate

Open the visor and select the required functions.

The appliance can be installed to recirculate or extract contaminated air.

## Recirculation

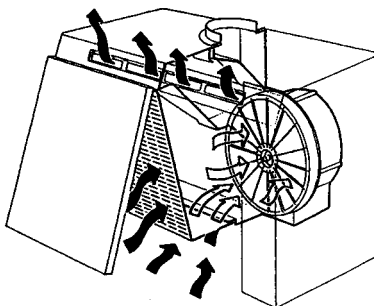
The cooker hood is supplied specified for use in the recirculation mode with the charcoal filter fitted.

The contaminated air is cleaned by passing through the filters and then back into the kitchen.

## Extraction

The contaminated air enters the hood passing through the grease filter and out through the ducting into the atmosphere.

When the extraction mode is selected the charcoal filter is not required.



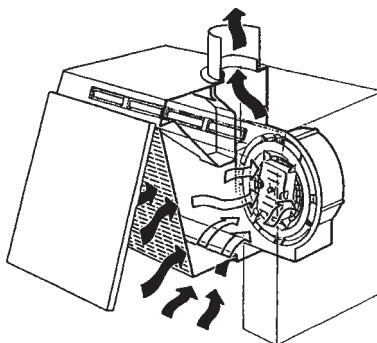
*Never do flambé cooking under this cooker hood.*

*Take extra care when frying and never leave frying pans unattended during use as over-heated fats and oils might catch fire.*


*Do not leave naked flames under the cooker hood.*

*Ensure the visor is open when using the hob even if the fan on the hood is not switched on.*

*Ensure heating areas on your hob are covered with pots and pans when using the hob and cooker hood simultaneously.*




## MAINTENANCE AND CLEANING

 Before carrying out any maintenance or cleaning isolate the cooker hood from the mains supply.

*The cooker hood must be kept clean, as a build up of grease or fat can be a fire hazard.*

### External Cleaning

Wipe the cooker hood frequently with warm soapy water using a mild detergent.

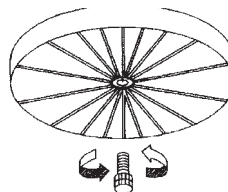
 Always wear protective gloves when cleaning the hood.

*Never use scouring pads or abrasive cleaners.*

*Never use excessive amounts of water when cleaning particularly around the control panel.*

### Charcoal Filter

The charcoal filter cannot be cleaned, it should be replaced approximately every three months or more often if the hood is used for more than three hours per day. (See installing the cooker hood for instructions on how to remove the charcoal filter).




### To Remove/Replace the Charcoal Filter

1. Remove the thumb screw through the centre of the charcoal filter, from the motor support.
2. The charcoal filter can now be removed.

## Synthetic Paper Grease Filter

The filter has saturation indicators, which are small squares made from a series of dots. When the white paper inside the squares becomes saturated with grease the coloured dots start to run and spread across the paper, indicating that the filter has reached saturation point and must be replaced.

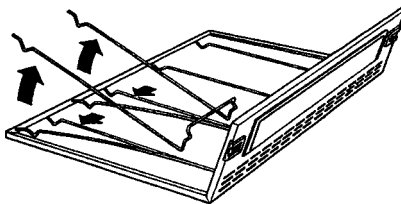
 *The synthetic paper grease filter cannot be cleaned.*


**It must not be washed.**



## To Replace the Synthetic Paper Grease Filter

1. Open the visor.
2. Press inwardly on the two slide catches and lower the grille to the stop position. Raise the front edge of the grille through a 45° angle until it detaches itself from the guides.
3. Carefully ease out the metal wire retaining clips.
4. Clean the metal grille and clips before replacing the filter.



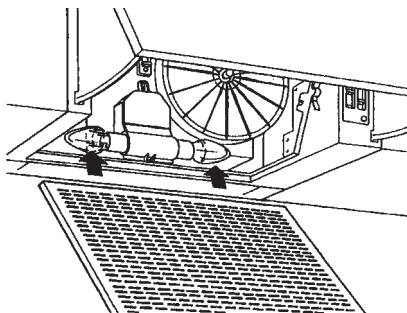
 *Handle the wire clips with care and keep away from children as they have sharp points.*

*This appliance can be a fire hazard if the grease and charcoal filters are not replaced as recommended.*

## Changing the Light Bulb

The bulb should be replaced with a 220-240 volt 40 watt clear cylindrical shape bulb with a small (E14) screw thread.

**Replacement charcoal filters, grease filters and light bulbs can be obtained from your local Service Force Centre.**



## SOMETHING NOT WORKING

If, having followed these instructions carefully, your cooker hood fails to work properly please carry out the following checks.

Symptom	Solution
<b>The cooker hood will not start</b>	<ul style="list-style-type: none"> <li>• Check the hood is connected to the electricity supply.</li> <li>• Check that the fan speed control is set to 1, 2 or 3</li> </ul>
<b>The cooker hood is not working effectively</b>	<ul style="list-style-type: none"> <li>• The fan speed is set high enough for the task</li> <li>• The grease filter is clean.</li> <li>• The kitchen is adequately vented to allow the entry of fresh air.</li> <li>• If set up for recirculation, check that the charcoal filter is still effective.</li> <li>• If set up for extraction, check that the ducting and outlets are not blocked.</li> </ul>
<b>The cooker hood has switched off during operation</b>	<ul style="list-style-type: none"> <li>• The safety cut-out device has been tripped.</li> <li>• Turn off the hob and then wait for the device to reset.</li> </ul>

If after all these checks, the problem persists, contact your local Service Force Centre, quoting the model and serial number.

Please note that it will be necessary to provide proof of purchase for any in-guarantee service calls.

**In-guarantee customers should ensure that the above checks have been made as the engineer will make a charge if the fault is not a mechanical or electrical breakdown.**

## SERVICE AND SPARE PARTS

If you require an engineer or wish to purchase spare parts contact your local Service Force Centre by telephoning:

**0990 929929**

Your telephone call will be routed to your local Service Force Centre.

For general assistance with your appliance or for information on Zanussi products please contact our Customer Care Department.

Customer Care Department,  
Zanussi  
Zanussi House  
Hambridge Road  
Newbury  
Berkshire  
RG14 5EP

Tel: 01635 521313



## PEACE OF MIND FOR TWENTY FOUR MONTHS

### STANDARD GUARANTEE CONDITIONS

We, Zanussi Ltd., undertake that if within twenty four months of the date of the purchase this ZANUSSI built-in appliance or any part thereof is proved to be defective by reason only of faulty workmanship or materials, the company will, at our option repair or replace the same FREE OF ANY CHARGE for labour, materials or carriage on condition that.

- The appliance has been correctly installed and used only on the electrical supply stated on the rating plate.
- The appliance has been used for normal domestic purposes only, and in accordance with the manufacturer's operating and maintenance instructions.
- The appliance has not been serviced, maintained, repaired, taken apart or tampered with by any person not authorised by us.
- All service work under this guarantee must be undertaken by Zanussi Service Force Centre.
- Any appliance or defective part replaced shall become the property of this company.

Home visits are made between **8.30am and 5.30pm Monday to Friday**. Visits may be available outside these hours in which case a premium will be charged.

### EXCLUSIONS

#### This Guarantee does not cover:

- Damage or calls resulting from transportation, improper use or neglect, the replacement of any light bulbs or removable parts of glass or plastic.
- Costs incurred for calls to put right appliances improperly installed or calls to appliances outside the United Kingdom.
- Appliances found to be in use within a commercial environment, plus those which are the subject of rental agreements.
- Products of Zanussi manufacture which are not marked by Zanussi Ltd.

This guarantee is in addition to your statutory and legal rights.

### ZANUSSI EUROPEAN GUARANTEE

If you should move to another country within Europe then your guarantee moves with you to your new home subject to the following qualifications:

- The guarantee starts from the date you first purchased your product.
- The guarantee is for the same period and to the same extent for labour and parts as exists in the new country of use for this brand or range of products.
- This guarantee relates to you and cannot be transferred to another user.
- Your new home is within the European Community (EC) or European Free Trade Area.
- The product is installed and used in accordance with our instructions and is only used domestically, i.e. a normal household.

Before you move please contact your nearest Customer Care Centre, listed below, to give them details of your new home. They will then ensure that the local Service Organisation is aware of your move and able to look after you and your appliances.

France	Senlis	+33 (0)3 44 62 29 99
Germany	Nurnberg	+49 (0)911 323 2600
Italy	Pordenone	+39 (0)1678 47053
Sweden	Stockholm	+46 (0)8 738 79 50
UK	Newbury	+44 (0)1635 521313

## INSTALLATION INSTRUCTIONS



*It is dangerous to alter the specifications or attempt to modify this product in any way.*

### Technical Information

<b>DIMENSIONS</b>	HEIGHT:	35 cm
	WIDTH	60 cm
	DEPTH:	27-36 cm
	DEPTH WITH VISOR OPEN:	54-63 cm
<b>WEIGHT</b>	GROSS:	11.4 kg
	NET	10.6 kg
<b>ELECTRICAL SUPPLY:</b>	Voltage (50Hz)	220-240 V
<b>POWER CONSUMPTION:</b>		190W
<b>FAN MOTOR:</b>		110W
<b>LAMP:</b>	2 x 40 W	80 W
<b>SUITABLE FOR INSTALLATION ABOVE:</b>	OVER ELECTRIC HOB:	7KW (max)
	OVER GAS HOB:	10KW (max)
	SLOT-IN GAS COOKER:	13.5KW (max)
	SLOT-IN ELECTRIC COOKER:	12.4KW (max)
<b>CHARCOAL FILTERS:</b>	Supplied	



**Note: CE Marking certifies that this appliance complies with the requirements laid down in EEC directive 89:336. (Electromagnetic compatibility) and subsequent modifications and Low Voltage directive 72/23/E.**

## ELECTRICAL CONNECTIONS



*This appliance must be earthed*

### Electrical Requirements

Any permanent electrical installation must comply with the latest I.E.E. Regulations and local Electricity Board regulations. For your own safety this should be undertaken by a qualified electrician e.g. your local Electricity Board, or a contractor who is on the roll of the National Inspection Council for Electrical Installation Contracting (NICEIC).

### Electrical Connection

Before connecting to the mains supply ensure that the mains voltage corresponds to the voltage on the rating plate inside the cooker hood.

This appliance is fitted with a 3 core mains cable and must be permanently connected to the electricity supply via a double-pole switch having 3mm minimum contact gap on each pole. A Switched Fuse Connection Unit to BS1363 Part 4, fitted with a 3 Amp fuse, is a recommended mains supply connection accessory to ensure compliance with the Safety Requirements applicable to fixed wiring instructions.

This appliance conforms to BS 800: 1988 and EEC Directive No. 78 308 regarding suppression of radio and television interference.

# INSTALLING THE COOKER HOOD

**Please ensure that when the appliance is installed it is easily accessible to an engineer in the event of a breakdown.**



*All installations must comply with the local authorities requirements for the discharge of exhaust air.*

*Incorrect installation may affect the safety of this cooker hood.*

## Installation Requirements



*Before installation check the wall to which the cooker hood is to be fitted for electric cables, water pipes or gas.*

If it is necessary to fix the hood to a hollow construction plaster or partition board structure then it should be sufficiently reinforced to be quite rigid in the area of the cooker hood mounting brackets, and the appropriate rawl plugs used for this type of fixing (not supplied).

## Ducting

The ducting must be fire retardant 100mm (4ins) in diameter and the length should be no more than:

3 metres with one 90° bend

2 metres with two 90° bends

Bends of more than 90° will reduce the efficiency of the hood and reduce the airflow.

## Clearance Height

The cooker hood is designed to be fitted over a cooking appliance at the clearance heights stated, providing the maximum output of the appliance beneath does not exceed the maximums quoted in the Technical Specifications.

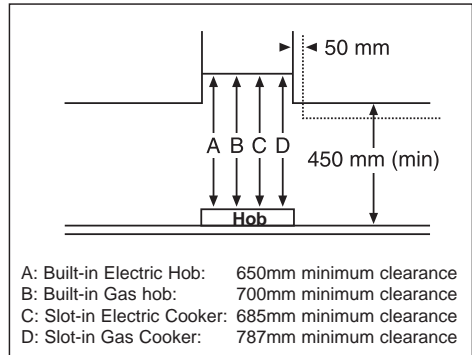
If the output of the appliance below the cooker hood exceeds the maximum outputs quoted, please refer to the cooker manufacturer's installation instructions.

## Clearance Height

A minimum clearance height of 650mm (25 1/2") is required when installed above a built-in electric hob, or 700mm (27 1/2") when installed above a built-in gas hob.

A minimum clearance height of 685mm (27") is required when installed above a slot-in electric cooker, or 787mm (30 1/2") when installed above a slot-in gas cooker.

When installed between adjoining wall cabinets, the wall cabinets must not overhang the hob and the distance between the underside of the cabinet and the worktop must be 450mm. If the height of the wall cabinet is less than 450mm, a gap of 50mm must be maintained either side of the hob.



*This cooker hood must not be installed above a cooking appliance with a high level grill.*

## Unpacking

The fittings supplied to install this cooker hood can be found with the instruction book inside the packaging.

- 2 - Wall fixing brackets
- 4 - Rawl plugs
- 4 - Fixing screws
- 6 - Decor panel fixing screws
- 4 - Security fixing screws



## Fitting the Wall Brackets

1. Use the paper template provided to mark the hole positions on the wall for the bracket fixing screws.
2. Check the hole distances are correct with a tape measure as stated on the template.
3. At this stage it is important to allow 15mm (1/2") clear space above the cooker hood to enable it to be hooked onto the brackets and for subsequent removal for decorating or servicing.

## Venting

The hood is more effective when used in the extraction setting (ducted to the outside).

**Venting kits may be purchased through your retailer or DIY store, and must be ducted to an outside vent of 100mm (4") minimum.**



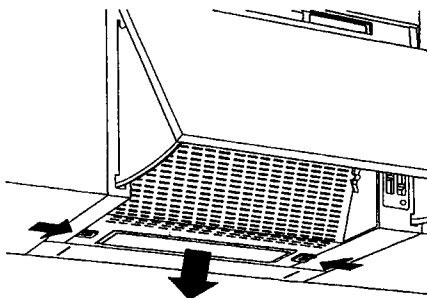
*The ducting used must be manufactured from fire retardant material.*

When the hood is ducted externally the charcoal filter must be removed and the slider control must be in the ducting position.



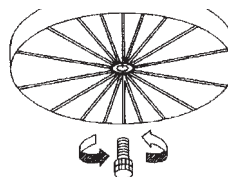
### To Fit the Ducting

1. Open the grille by pressing inwardly on the actuator bolts at each side of the grille, while pulling the grille panel downwards. The grille panel will slide into the intermediate position. Raise the lower edge of the grille forward through 45° angle until the grille becomes detached from the slide mechanism.
2. Align the flat sides on the spigot with the recesses in the top of the casing. Insert and snap fix the spigot into the casing.
3. Connect the ducting to the spigot and make an air tight seal.
4. Remove the charcoal filter and ensure the slider control is in the ducting position.



### To Remove the Charcoal Filter:

1. Remove the thumb screw through the centre of the charcoal filter, from the motor support.
2. The charcoal filter can now be removed.



## Recirculation

The charcoal filter must be fitted for recirculation and the slide control must be in the recirculation position.



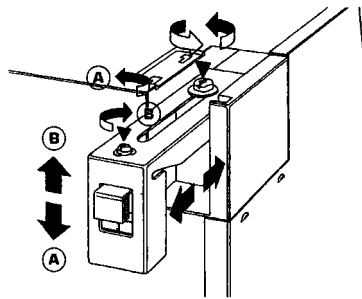
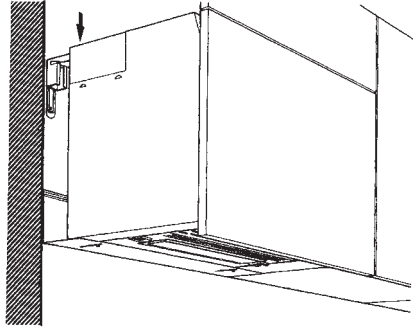
## Fitting the Cooker Hood to the Wall

1. Fit the brackets with the round ends facing downwards using the plastic rawl plugs and screws provided.
2. Once the brackets are secured, lift the hood squarely to the wall slightly higher than the brackets. Lower the cooker hood until it is located onto the two brackets.



*Ensure that the cooker hood is correctly located before letting go.*

3. Access to the two wall levelling screws is from above the hood. These are located in the two extension arms at either side of the hood. Level the hood using the screws located in each extension arm.
4. By loosening the screws at the front of each extension arm the hood can be aligned with the front of the adjoining wall cabinets.
5. The hood should be secured on each side to the adjoining wall cabinets using the 4 x 15mm (1/2 ins) security screws provided.
6. Adjust the lower spacer panel at the rear of the hood to close the gap to the wall.



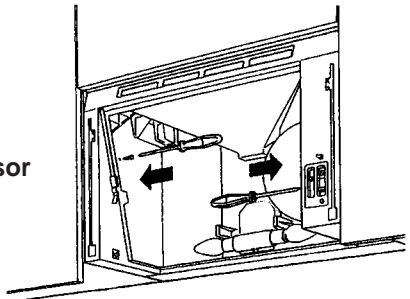
## Decor Panel


The dimensions of the door panel should be 59.6cm (23 1/2 ins) wide by 35cm (13 9/16 ins) in height.



## Fitting a Decor Panel to the Hood Visor

1. Remove the complete visor assembly by pulling open into the operating position, simultaneously press down on the release catch located behind the visor on the left hand side of the casing as illustrated in fig.2 on page 15.
2. Using the paper template provided, mark the screw hole positions on the reverse side of the decor panel. Ensure that the paper template is aligned with the top edge of the decor panel.



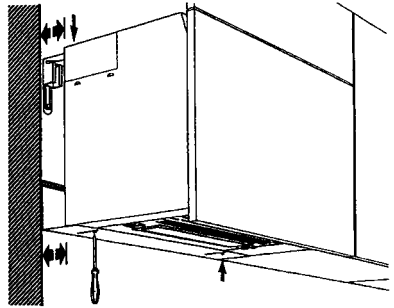
 Failure to align the top edge of the decor panel with the template will prevent the visor from opening when installed.

3. Before drilling, use a tape measure to check the distances of the screw holes (as given on the template). The template may have altered due to dampness after manufacture.
4. Use the 6 x 15mm (1/2ins) round headed screws provided to attach the decor panel to the hood visor.



### To Refit the Hood with Decor Panel Attached

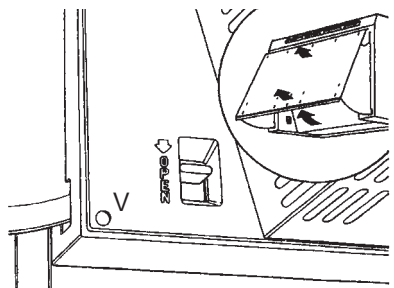
1. Insert the upper visor guides into the upper track in the front of the casing.
2. Hinge down the bottom edge of the visor and insert the lower guides into the track in the bottom of the casing.
3. Push the visor in until an audible click is heard.
4. The visor can now be opened and closed in its normal function.




### Adjustment

If a heavy door is fitted or if the visor will not stay closed it may be necessary to make an adjustment to the closing mechanism of the visor.

Insert a small flat bladed screw driver through the hole (the friction assembly) on either side of the casing indicated by the letter "V" and turn clockwise to apply pressure on the guide. Both friction assemblies should be adjusted by the same amount to ensure the visor opens smoothly.



 Care should be taken when removing the visor with the decor panel for cleaning or servicing, as the visor is now extremely heavy and should it be dropped, it could damage the appliance beneath and adjoining work surfaces.



Dir. 89/336/CEE  
73/23/CEE