

DI 9814

User manual

Cooker Hood

Contents

Safety warnings	3
Description of the Appliance	5
Extraction mode	5
Recirculation mode	5
Control Panel	6
Maintenance and Care	8
Metal grease filter	8
Charcoal filter	9
Warning	10
Changing the light bulbs	10
Cleaning the hood	10
Special accessories	11
Technical assistance service	11
Technical Details	11
Mounting accessories included	11
Electrical connection	12
Installation	13

Safety warnings

- When used as an extractor unit, the hood must be fitted with a hose having preferably the same diameter as the outlet hole.
Should there already be a pipe of diameter 125 mm that ducts to the outside through the walls or roof, it is possible to use the 150/125 mm reduction flange provided. In this case the hood will be slightly noisier.
Attention: The hose is not supplied and must be purchased separately.
- The minimum distance between the supporting surface for the cooking vessels on the hob and the lowest part of the range hood must be not less than **50cm** from electric cookers and **65cm** from gas or mixed cookers.
If the instructions for installation for the gas hob specify a greater distance, this must be adhered to.
- Before any cleaning or maintenance operation, disconnect the hood from the mains by removing the plug or disconnecting the home mains switch.
- The appliance is not intended for use by children or persons with impaired physical, sensorial or mental faculties, or if lacking in experience or know-how, unless they are under supervision or have been trained in the use of the appliance by a person responsible for their safety.
- Children should be monitored to ensure that they do not play with the appliance.
- Never use the hood without effectively mounted grating.!
- The hood must NEVER be used as a support surface unless specifically indicated.
- The premises must be sufficiently ventilated, when the kitchen hood is used together with other gas combustion devices or other fuels.
- The suctioned air must not be conveyed into a conduit used for the disposal of the fumes generated by appliances that combust gases or other fuels.
- The flaming of foods beneath the hood itself is severely prohibited.
- The use of exposed flames is detrimental to the filters and may cause a fire risk, and must therefore be avoided in all circumstances.
- Any frying must be done with care in order to make sure that the oil does not overheat and burst into flames.
- As regards the technical and safety measures to be adopted for fume discharging it is important to closely follow the relations


provided by the competent authorities.

- The hood must be regularly cleaned on both the inside and outside (AT LEAST ONCE A MONTH, it is in any event necessary to proceed in accordance with the maintenance instructions provided in this manual)..
- Failure to follow the instructions as concerns hood and filter cleaning will lead to the risk of fires.
- Do not use or leave the hood without the lamp correctly mounted because of the possible risk of electric shocks.
- We decline any responsibility for any problems, damage or fires caused to the appliance as the result of the non-observance of the instructions included in this manual.

This appliance is marked according to the European directive 2002/96/EC on Waste Electrical and Electronic Equipment (WEEE).

By ensuring this product is disposed of correctly, you will help prevent potential negative consequences for the environment and human health, which could otherwise be caused by inappropriate waste handling of this product.



The symbol  on the product, or on the documents accompanying the product, indicates that this appliance may not be treated as household waste. Instead it shall be handed over to the applicable collection point for the recycling of electrical and electronic equipment. Disposal must be carried out in accordance with local environmental regulations for waste disposal.

For more detailed information about treatment, recovery and recycling of this product, please contact your local city office, your household waste disposal service or the shop where you purchased the product.

Description of the Appliance

- The cooker hood is designed to extract unpleasant odours from the kitchen, it will not extract steam.
- **The hood is supplied as an extractor unit and can also be used with a recirculation mode by fitting a charcoal filter.**

Extraction mode

- In this mode fumes are extracted to the outside via a **hose** connected to the **coupling ring**. **Fig. 1**
- In order to obtain the best performance the hose should have a diameter equal to the outlet hole.

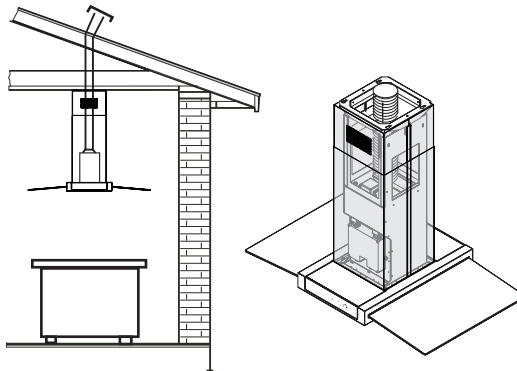


Fig. 1

Recirculation mode

- The air is filtered through a **charcoal filter** and returned to the kitchen. **Fig. 2**
- You will need an original charcoal filter for the recirculation mode. (See Special Accessories).

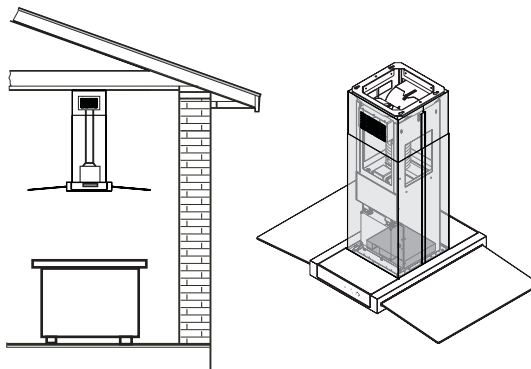


Fig. 2

Control Panel

- Best results are obtained by using a low speed for normal conditions and a high speed when odours are more concentrated. Turn the hood on a few minutes before you start cooking. The hood should be left on after cooking for about 15 minutes or until all the odours have disappeared. The control switches are located on the unit's front panel:



- 1 - Mains switch, ON/OFF
Press for less than 1 1/2 seconds and the cooker hood goes into the "stand by" position (point "b" is illuminated).
Press for more than 1 1/2 seconds and the cooker hood turns off, ALL the controls (except the light push button) are disabled (the display is off).
Press again for more than 1 1/2 seconds to reset the cooker hood to "stand by".
- 2 - Light ON/OFF
- 3 - Display
- 4 - Start and choice of motor speed 1-2-3-1-2.....
- 5 - Intensive speed on/off. The Intensive speed runs for 5 minutes:
If the hood is on when the Intensive speed is activated, the hood will revert to previous speed after 5 minutes.
If the hood is off when the Intensive speed is activated, the hood will automatically turn off after 5 minutes.
To interrupt the Intensive speed, press button **1** or **4**.
The letter **P** appears on the display and the remaining time (the point "a" is flashing), if interrupted an acoustic signal is heard.
- 6 - Self-Timer: times all the speed levels (the point "b" is flashing), and then the cooker hood switches off:
The self-timer is set as follows:
1st speed level 20 minutes
2nd speed level 15 minutes
3rd speed level 10 minutes
The display shows the remaining operation time, at the end of the time an acoustic signal is heard. Depressing the push-button again exits the function.
Should the hood or the controls fail to operate: disconnect the power supply for at least 5 seconds. After reconnecting the power supply wait 15 seconds and then check that the cooker hood is now operating correctly.

Grease and charcoal filter maintenance indicator

This hood is fitted with a device that indicates when it is necessary to clean the grease filter or the charcoal filter (if the hood is used in the recirculation version with a charcoal filter).

On delivery, the hood is not supplied with a charcoal filter, so the saturation indicator will be disabled.

If the hood is to be used with a charcoal filter, the saturation indicator light must be enabled as follows:

Press buttons **4** and **5** simultaneously and hold them for 3 seconds.

At first only the grease filter LED **F** will light up, but when the charcoal filter LED **C** lights up the saturation indicator will be enabled.

To disable it: Press buttons **4** and **5** again simultaneously and hold them for 3 seconds, until the charcoal filter LED **C** goes out.

Grease filter LED (F)

LED **F** will start to flash when it is time to clean the grease filter.

Cleaning will be necessary after 40 working hours. Always comply with the maintenance instructions for the grease filter.

Charcoal filter LED (C)

The charcoal filter LED **C** will start to flash when the charcoal filter needs to be replaced.

This operation is necessary after approximately 160 working hours.

Resetting the saturation indicator

After cleaning or replacing the filters, press button **1** for 3 seconds until the grease filter LED **F** or the charcoal filter LED **C** stops flashing.

Warning! The resetting of the saturation indicator **MUST** be done in stand-by, never disconnect the hood from the mains.

Correct ventilation

If the cooker hood is to work correctly there must be an under pressure in the kitchen. It is important to keep the kitchen windows closed and have a window in an adjacent room open.

Maintenance and Care

Warning! Before performing any maintenance operation, isolate the hood from the electrical supply by switching off at the connector and removing the connector fuse.

Or if the appliance has been connected through a plug and socket, then the plug must be removed from the socket.

Metal grease filter

- The purpose of the grease filters is to absorb grease particles which form during cooking and it **must** always be used, either in the external extraction or internal re-circulation function.

Attention: the metal grease filters must be removed and washed, either by hand or in the dishwasher, every four weeks.

Removing the metal grease filters

- Pull the handle downwards, then remove the filter. **Fig. 3.**

Hand washing

Soak grease filters for about one hour in hot water with a grease-loosening cleaner, then rinse off thoroughly with hot water. Repeat the process if necessary. Refit the grease filters when they are dry.

Dishwasher

Place grease filters in the dishwasher. Select most powerful washing programme and highest temperature, at least 65°C. Repeat the process. Refit the grease filters when they are dry. When washing the metal grease filter in the dishwasher a slight discolouration of the filter can occur, this does not have any impact on its performance.

- Clean the inner housing using a hand hot solution only (never use caustic detergents, abrasive powders or brushes).

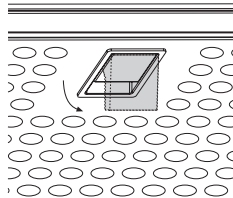


Fig. 3

Charcoal filter

- The charcoal filter should only be used if you want to use the hood in recirculation mode.
- **Replacing the charcoal filter**
The charcoal filter cannot be washed nor regenerated.
The charcoal filter should be replaced every 4 months under normal use.
Replacement filters are available from your local Service Force Centre.
- **Fitting - Fig. 4**
Position the carbon filter inside the hood to cover the protection grill of the motor.
Fix the filter with 2 lateral knobs.
• **To remove** proceed in the reverse order.
- Always specify the hood model code number and serial number when ordering replacement filters. This information is shown on the rating plate located on the inside of the unit.
- The charcoal filter can be ordered from your local Service Force Centre.

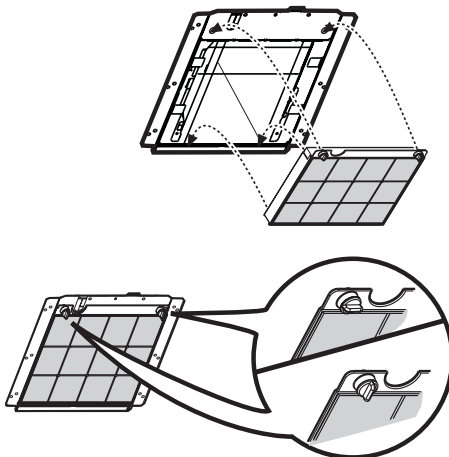


Fig. 4

Warning

- Failure to observe the instructions on cleaning the unit and changing the filters will cause a fire hazard. You are therefore strongly recommended to follow these instructions.
- The manufacturer declines all responsibility for any damage to the motor or any fire damage linked to inappropriate maintenance or failure to observe the above safety recommendations.

Changing the light bulbs

- **Disconnect the cooker hood from the mains supply.**
- **Prior to touching the light bulbs ensure they are cooled down.**
- Extract the lamp cover by using a small flat screwdriver or similar tool as a lever. **Fig. 5**
- Replace the old bulb with a new one of the same type.
- Refit the lamp cover.
- If the light does not come on, make sure the bulb has been inserted in correctly before contacting your local Service Force Centre.

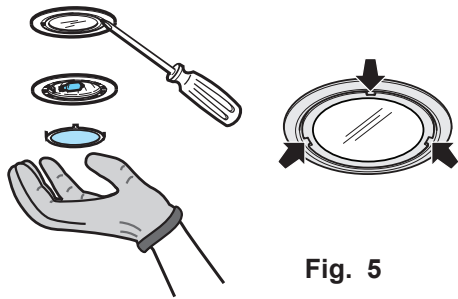


Fig. 5

Cleaning the hood

- Clean the outside of the hood using a damp cloth and a solution of water and mild washing up liquid.
- Never use corrosive, abrasive or flammable cleaning products or products containing bleach.
- Never insert pointed objects in the motor's protective grid.
- Only ever clean the switch panel and filter grill using a damp cloth and mild washing up liquid.
- Clean all the plastic parts with a soft cloth soaked in warm water and neutral soap.
- It is extremely important to clean the unit and change the filters at the recommended intervals. Failure to do so will cause grease deposits to build up that could constitute a fire hazard.

Special accessories

Charcoal filter TYPE 15

Technical assistance service

You are welcome to telephone our technical assistance service (see list of technical assistance centres) whenever you need information or in the unlikely event of a fault. For service in Australia call 1300 650 020.

When calling, please be ready to specify:

1. **The model code number**
2. **The serial number**
3. **The Product number**

This information is shown on the registration plate inside the unit behind the grease filter.

We reserve the right to change specifications and colours as a result of our policy of continuing technological development.

Technical Details

	DI 9814
Dimensions (in cm):	
Height:	82-110
Width:	100
Depth:	60
Max. absorb. power:	255 W
Motor:	175 W
Lighting:	4 x 20 W (G4)
Length of the cable:	150 cm
Electrical connection:	230 V
Fuse rating:	5At

Mounting accessories included

- 2 screwdriver bits (for TORX screws)
- 1 deflector
- 6 screws 3,5 x 13 (to fix the deflector)
- 6 wood-screws 6 x 70 mm
- 6 wall plugs Ø 10 mm
- 4 screws 3 x 9 (chimney fixing)
- 10 screws 4 x 8 (to fix hood to structure)
- 14 screws 4 x 7 (to fix chimney sections)
- 14 nuts
- 14 fixing springs

Electrical connection

Safety warnings for the electrician

Safety warnings for the electrician

The mains power supply must correspond to the rating indicated on the plate situated inside the hood. If provided with a plug connect the hood to a socket in compliance with current regulations and positioned in an accessible area. If it not fitted with a plug (direct mains connection) or if the plug is not located in an accessible area apply a bi-polar switch in accordance with standards which assures the complete disconnection of the mains under conditions relating to over-current category III, in accordance with installation instructions.

IMPORTANT: Before re-connecting the hood circuit to the mains supply and checking the efficient function, always check that the mains cable is correctly assembled.

Installation - Fig. 6-7-8-9

Assembling the deflector (3 parts – only for filter version):

The three parts should be fixed with 2 screws, the deflector extension is adjustable and should correspond to the width of the chimney flue support, to which it is then fixed. **Fig. 6.**

Expansion plugs are provided to secure the hood to most types of ceilings. However, a qualified technician must verify suitability of the materials in accordance with the type of ceiling. The ceiling must be strong enough to take the weight of the hood.

During electrical connection ensure the power supply is disconnected at the domestic mains switch.

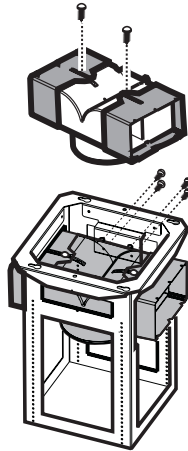


Fig. 6

- Adjust extension of the hood support structure, as the final height of the hood depends on this, and remember that with installation completed the hood must be at least 60 cm above the hob top for electric cookers and 75 cm for gas or mixed fuel cookers.
- Fix the two sections of the structure using 8 screws **(2)**.
- Place the ceiling hole diagram directly above the hob top **(3)** - the centre of the diagram must match the centre of the hob top and the edges must be parallel to the sides of the hob top – the side of the diagram with the wording FRONT corresponds to the control panel side). Prepare the electrical connection.
- Drill as shown (6 holes for 6 wall plugs – 4 plugs for fixture), screw the outer screws leaving a space of about 1 cm. between the screw head and the ceiling **(4)**.
- Fit an exhaust pipe inside the support **(5)** and connect it to the motor compartment connection ring (exhaust pipe and fixing brackets are not supplied).
- Hook the frame onto the 4 screws **(6)** - see also step **4)**.
CAUTION! The side of the support with connection box corresponds to the side of the control panel with hood assembled.
- Tighten the 4 screws **(7)**.
- Insert and tighten another 2 screws in the remaining free holes **(8)** for secure fixing.
- Carry out the electrical connection **(9)** to the mains power supply, only turn on the power supply upon completion of assembly.
- Hook the hood onto the support **(10)** , ensuring it fits properly – to hook the hood onto the support partially tighten 4 screws (see also step 12).
- Secure the hood to the support using 6 screws **(11)**; this will also help centre the two sections.
- Tighten the 4 screws securing the support to the hood **(12)**.

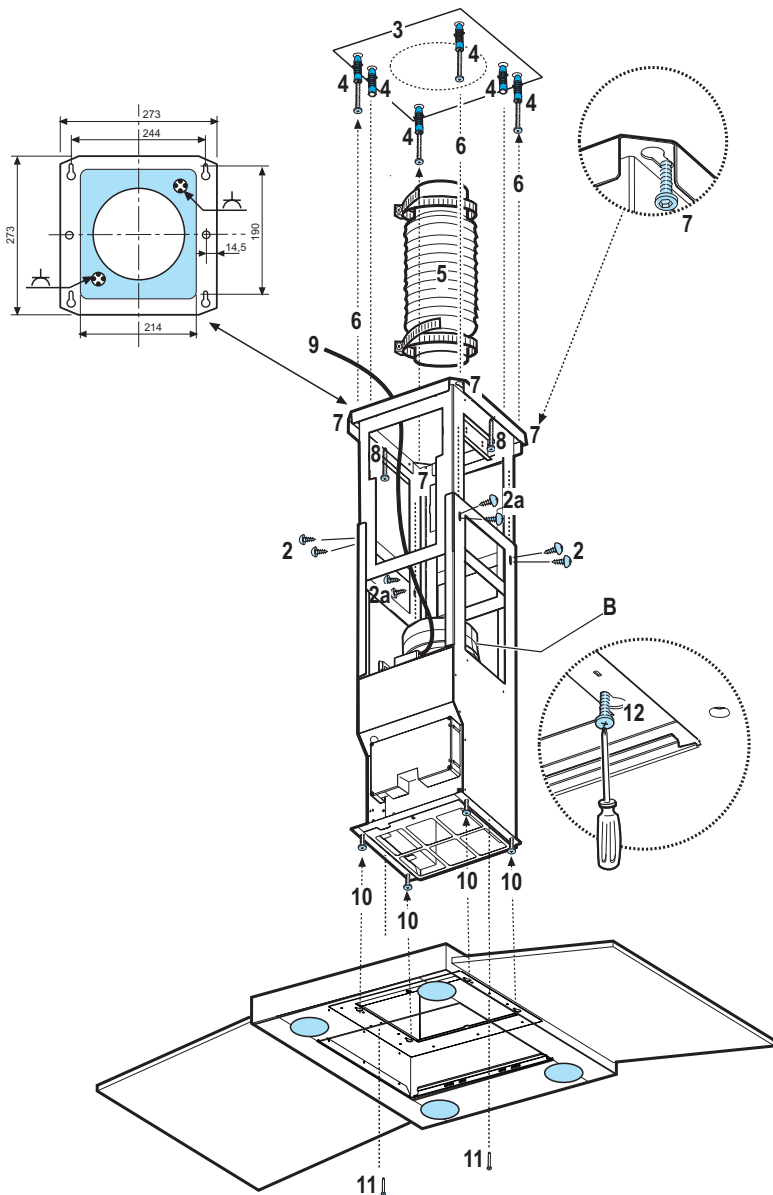


Fig. 7

- For extractor versions (**13A**), connect the other end of the exhaust pipe to the flue.
- For filter versions (**13F**), fit deflector F to the support and secure it to the bracket supplied using 4 screws, then connect the exhaust pipe to the connection ring located on the deflector.
- Fit the nuts with fixing hooks (**14**) supplied inside the top and bottom sections of the flues at the rectangular slots. A total of 14 nuts must be fitted.
- Join the two top sections of the flue to cover the support (**15**) so that one of the slots on the sections is situated on the same side of the control panel and the other on the opposite side. Screw the two sections together with 8 screws and springs (4 each side- see the plan diagram for joining the two sections - springs must be fixed horizontally).
- Fix the top flue assembly to the support, near the ceiling, with two screws (**16** - one each side).

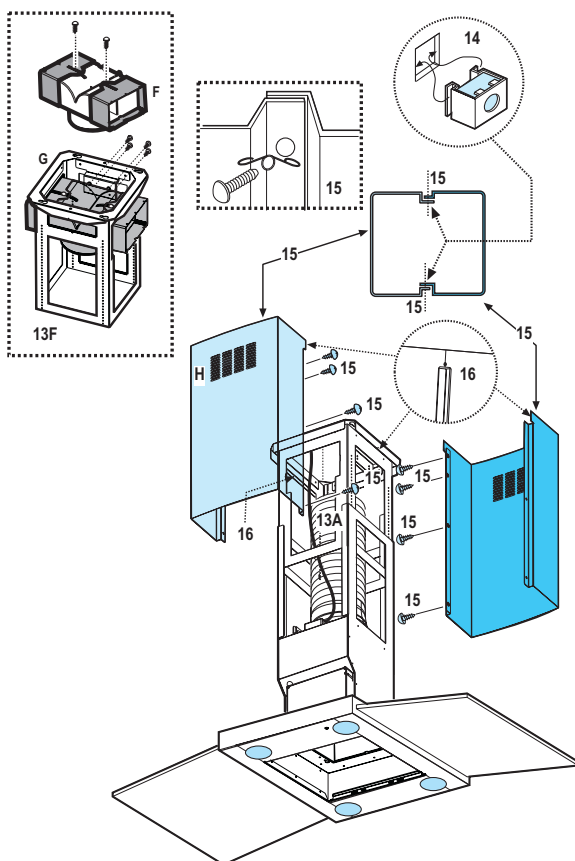


Fig. 8

- Carry out electrical connection of control panel and bulbs (17).
- Join the two bottom sections of the flue covering the support (18) using 6 screws and springs (3 each side, see the plan diagram for joining the two sections - springs must be fixed horizontally).
- Insert the bottom section of the flue in its seat so that it completely covers the motor compartment and electrical connection box, then ensure it from inside the hood using two screws (19).
- Apply the 2 tabs (20 - supplied) to cover the fixing points of the bottom flue (CAUTION! THE BOTTOM FLUE TABS ARE THE NARROWER AND SHALLOWER ONES).
The wider and deeper tabs are those used for the top flue, and must be cut to size.
If necessary, slightly expand the tabs to ensure their adherence to the flue.
- Turn the mains power on again at the central electrical panel and check for correct hood operation.

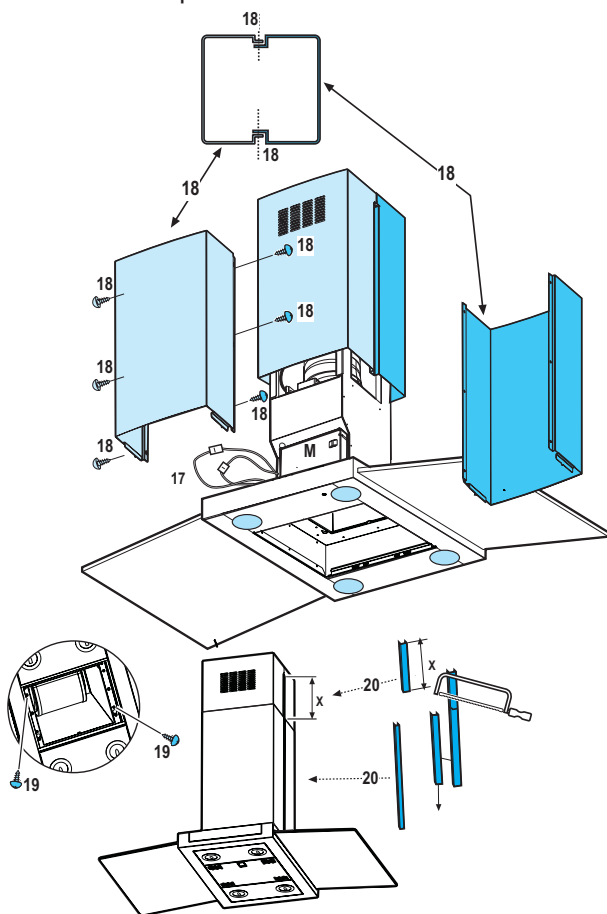


Fig. 9

