
Operating and installation instructions

Build-in cooker hood
DL 60, DL 80, DL 602

AEG

Contents

I. Introduction

II. Technical data Description of appliance

III. General information For the installer

**Preparing the
appliance for air
extraction**

**Preparing the
appliance for
air re-circulation**

Accessories

IV. Instructions for use For air extraction

For air re-circulation

V. Connection and installation of the appliance

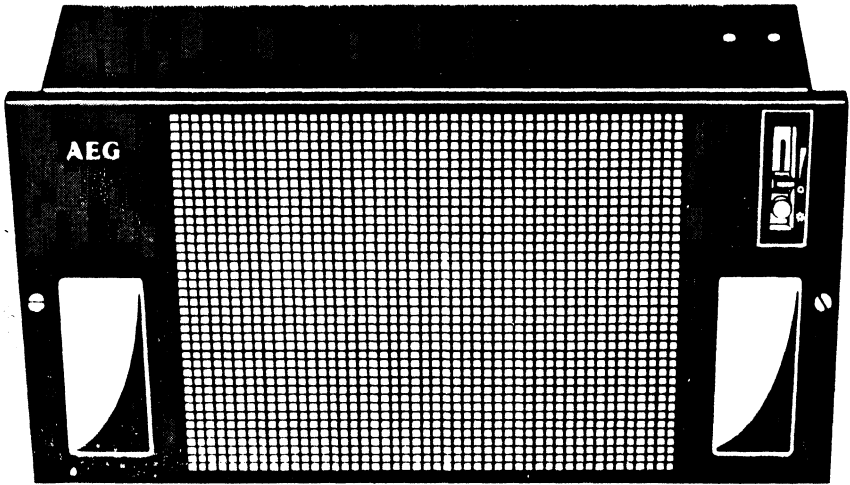
VI. Care and maintenance

**How to change the
grease filter**

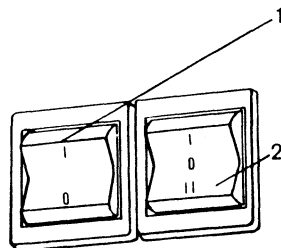
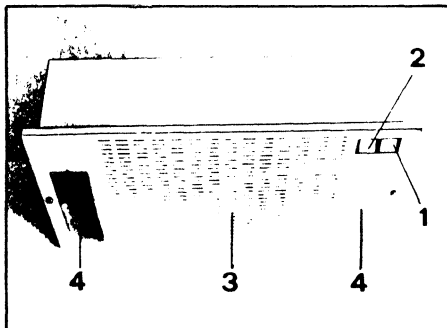
**How to change the
electric light bulbs**

VII. What to do if something goes wrong

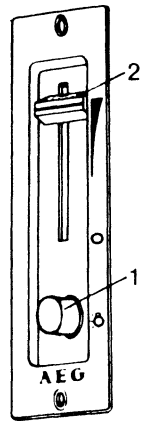
VIII. Optional extras



DL 60



DL 602



DL 60
DL 80

Fig. 1

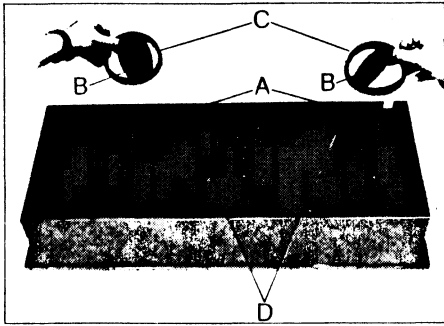


Fig. 2

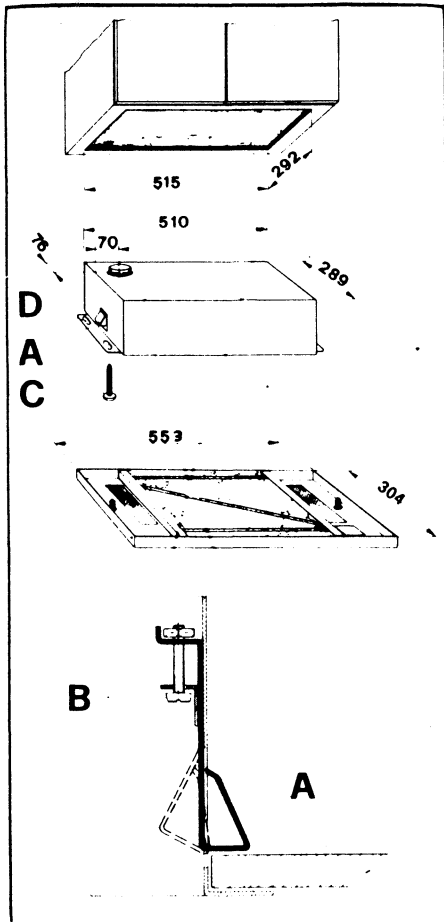


Fig. 3

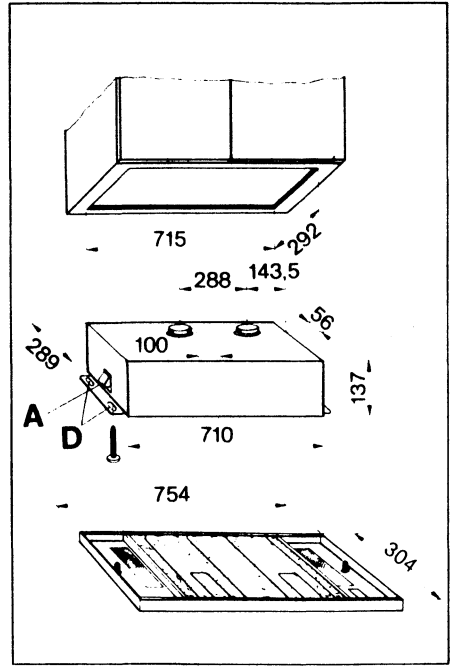


Fig. 4

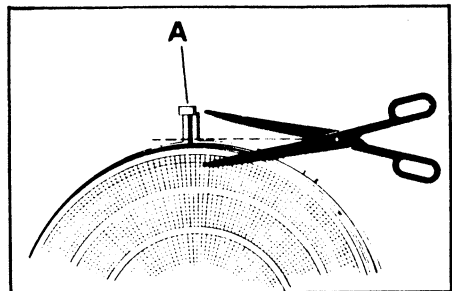


Fig. 5

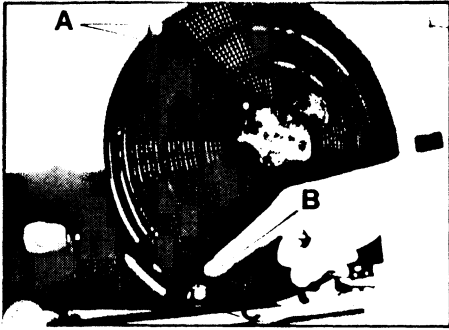


Fig. 6

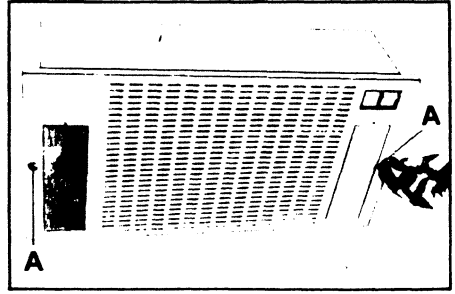


Fig. 7

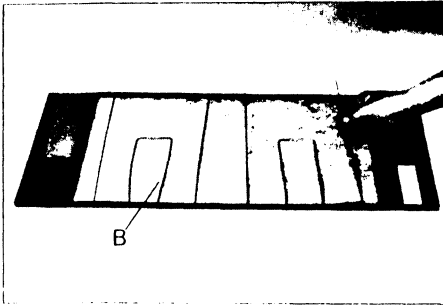


Fig. 7

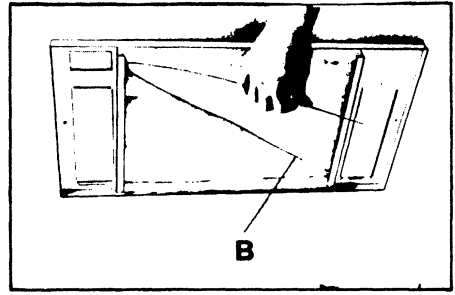


Fig. 7

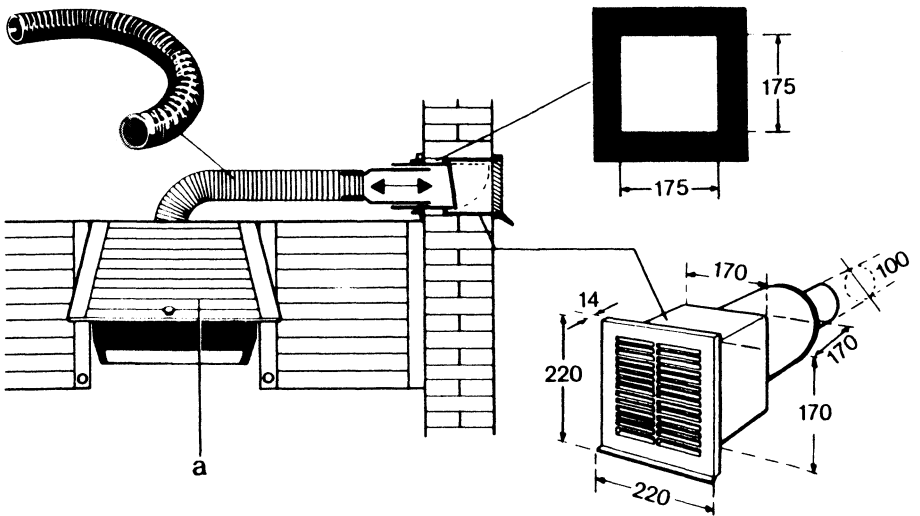


Fig. 8

I. Introduction

These instructions are intended to explain the various technical features of your appliances to you and to familiarize you with their use.

Please read these instructions through carefully.

Please note:

These instructions for use cover several types in the same series of appliances. It is possible therefore that instructions have been included on operating controls which are not fitted to your appliance.

II. Technical data

Dimensions:

(Width/Height/Depth)

DL 602/DL 60:

530 x 150 x 304 mm

DL 80:

753 x 150 x 304 mm

Cut-out dimensions:

(Width/Depth)

DL 602/DL 60:

515 x 292 mm

DL 80:

715 x 292 mm

Electrical connection:

240 V by means of fixed power lead without plug (permanent connection only by qualified electrician)

Total connected load:

DL 602/DL 60: 230 Watts

DL 80: 380 Watts

Weight: DL 60: 6.2 kg

DL 80: 9.3 kg

Radial fan:

DL 602/DL 60: 150 Watts

DL 80: 2 motors,
together 300 Watts

Speed settings:

DL 602: 2 settings

DL 60 and DL 80:

variable speed

Airflow:

DL 602/DL 60:

Ducted: 120–300 m³/h

Recirculated: 100–220 m³/h

DL 80:

Ducting:

250–600 m³/h

Recirculated:

200–400 m³/h

Ducting:

DL 602/DL 60: 1 at top

DL 80: 2 at top

Connecting piece 100 mm diameter

Bulbs: 2 x 40 Watt

Description of the appliance (fig. 1):

- 1 Light switch
- 2 Speed selector
- 3 Filter grille with grease filter
- 4 Hob illumination

III. General

The hoods can be built into "chimneys" and canopies.

These hoods can be used either as ducted or recirculating hoods. If facilities for ducting exist we would recommend this method as the ducted hood will remove steam and odour more effectively. The built-in grease filter absorbs airborne grease leaving your kitchen furniture and walls to a great extent free of fat and odour.

When using the hood to recirculate the air an activated charcoal filter has to be fitted.

The activated charcoal filters are the latest in technical advancement. Grease and odours are absorbed which would otherwise be deposited on furniture and walls in the kitchen.

Steam and odour occurring during cooking are drawn through the grease filter and then pass through the charcoal filter.

Electrical connection

The installation of a socket above the cooker hood has 2 advantages:

1. The socket is not visible.
2. If required you can disconnect the hood easily from the electricity supply.

If fixed connection is necessary

In all cases the appliance may only be connected by the electrician approved by your local electricity supply authority. An isolating device should be provided when installed.

An isolating device can be any switch with a contact gap exceeding 3 mm. This includes line protection circuit breakers, fuses and contactors.

Very important!

The properly installed appliance should be protected on all sides by a covering so as to preclude accidental contact with live parts. The covering may only be removable with the aid of tools. In all cases where repairs are carried out the appliance should be disconnected from the power supply.

III. General

Connection for ducting

When ducting the vapours to the outside you require the telescopic wall box, available as an optional extra from our Spare Parts Dept. (fig. 8).

Dimensions for the location of the air outlets are shown in fig. 3 and 4.

For connection to the wall box or to an existing but unused waste air flue (**Important: not waste gas flue**) it is best to use our flexible air outlet hose.

The outgoing air must not be ducted into a waste gas flue.

Important:

The outgoing air must not be ducted into an air shaft used for ventilation of areas where heating systems are installed.

If the outgoing air is ducted into a disused chimney or waste gas flue it is advisable to consult a chimney sweep or builder.

Operation of the cooker hood

The hood is switched on by controls on the underside of the hood.

If the hood is used as a recirculating hood it is recommended that the hood be switched on before cooking commences and left on throughout until approx. 15 mins after cooking has finished.

If the hood is used as a ducted hood an adequate air inlet approx. the same size as the air outlet, has to be provided in the kitchen.

If in addition to the extractor hood you are using solid fuel or oil heating appliances in the same room which are ducting out, it is essential that an air inlet of approx. 500-600 cm² has to be provided by opening the kitchen door or window. However, the effectiveness of the hood will be somewhat impaired under those circumstances.

Do not carry out any flambe cooking or leave a gas hob on without a pan under a switched on hood.

Accessories

DL 602:

1 connecting flange

4 screws 3.5 x 13 mm

DL 60:

1 connecting flange with
non-return flap

4 screws 3.5 x 13 mm

1 cover

DL 80:

2 connecting flanges with
non-return flap

4 screws 3.5 x 13 mm

1 cover

IV. Instructions for use

1. For air extraction:

The hood has one (DL 80 has two) air outlet **A** (fig. 2) to which to fit the ducting connector **B**. Use a 100 mm diameter hose-pipe to connect the hood to the wall box or a waste flue.

For the non-return flap in the ducting connector to operate correctly make sure that arrow **C** on the connector corresponds with point **D** on the hood (red triangle).

2. For air recirculation:

If the hood is to recirculate the air, proceed as follows:

- 2.1 Order charcoal filter KFU. This filter absorbs cooking odours.
- 2.2 Cut off plastic tongue **A** (fig. 5). Place filter on marker points **A** so that point **A** on the filter corresponds with point **C** (fig. 6). Turn the filter clockwise until it clicks into place. Reverse this sequence to remove the filter.

V. Installation

Dimensions:

For dimensions of appliance and installation positions see **fig. 3 and 4**.

Before connecting the hood to the electrical mains supply, check that the voltage on the rating plate of the appliance corresponds with the voltage of the existing mains supply.

The distance between cooking area and hood must be at least 650 mm (for gas and electric). The electrical connection of the hood must only be carried out by a qualified electrician.

Installation:

The hood is to be build-in into an aperture of 515 x 292 mm (DL 60/DL 602) or 715 x 292 mm (DL 80).

To build in the hood proceed according to **fig. 3 and 4**:

- a) Remove filter grille.
- b) Position hood into the aperture and push upwards until springs **A** on the mounting plate click into position.
- c) Tighten screws **B**.

As a rule this installation is quite adequate.

In addition the hood can be fastened by 4 screws which are screwed into drill holes **D**.

Repositioning of the controls (DL 60/DL 80)

The electronically regulated hoods are equipped with removable controls. To remove the controls and position them somewhere else loosen the 2 screws (**fig. 1**). The plug-in lead connection is sufficient for a distance of 40 cm. Use the cover plate supplied to blank off the opening left on the hood. The lead connection is taken to the outside through a flap on top of the hood. If a longer lead is required a 2 m lead, ready to plug in, it can be supplied as an optional extra.

VI. Care and maintenance

Disconnect the appliance from the power supply before carrying out any maintenance or cleaning

Grease filter:

If your cookerhood is equipped with a paper filter, the following applies:

The grease filter in the appliance has red stripes on the inside. When the red stripes are visible through the filter grille from the front the filter has to be replaced by a new one.

To change the grease filter proceed as follows:

- a) Remove filter grille by turning the locking screws **A (fig. 7)**.
- b) Remove grease filter.
- c) Clean filter grille with lukewarm soapy water.
- d) After drying the filter grille, place a new grease filter in place, red stripes up.
- e) If your cookerhood has a metal mesh (M) filter, proceed according to a) to d), but clean mesh filter thoroughly with hot water or in your dishwasher at least every 6 weeks.

Activated charcoal filter:

The charcoal filter must not be washed, it cannot be regenerated and has to be changed at least every 6 months (acoustic signal).

To insert the new charcoal filter proceed as described under "Instructions for use - For air recirculation".

Cleaning:

To clean the outer surfaces of the hood only use reputable cleaning agents. Do not use abrasives of any kind.

If the hood light does not work, please check that the light bulbs are firmly in place before putting in new bulbs.

You can change the 2 x 40 Watt light bulbs yourself.

Important:

When replacing the light bulbs, only use the small round bulbs E 27 or candle bulbs E 14. Do not use normal household light bulbs.

VII. What to do if something goes wrong








Before you call out a Service Engineer, please check that you have followed the instructions in this booklet carefully and that the fuses are in working order.

Should you require the hood to be serviced you will assist our Service department by quoting the following:

1. Model number
2. E-number
3. F-number

You will find these on the rating plate of the hood. We would recommend that you transfer the numbers to the space provided on this page for easy reference.

Required data

AEG	Typ	E - Nr	
		F - Nr	
			W
		W	
			

VIII. Optional extras

Activated charcoal filter
Model KFU
E-No. 610 899 410

Grease filter
Filter paper with saturation
indicator
E-No. 610 899 112

Wall box MK 10/15
E-No. 610 899 004

Flexible ducting hose

AEG