

# **Einbau- Kamin-Dunstabzugshaube DL 600 N PROFIL LINE**

**Build-in  
Chimney Fume  
Extractor Hood**

**Hotte de cuisine  
encastrable avec  
évacuation de  
l'air vicié par la  
cheminée**

**Inbouwafzuigkap  
voor schoorsteen**

Montage- und  
Gebrauchsanweisung

Instructions for  
Installation and Use

Instruction de montage  
et Mode d'emploi

Montage- en  
gebruiksaanwijzing

**AEG**

---

**Gebrauchsanweisung unbedingt lesen und aufbewahren!**

---

**D**

<b>Inhaltsverzeichnis</b>	<b>Seite</b>	<b>Seite</b>
Bildseiten (bitte ausklappen)	4/5	Einsetzen/Austausch des
Ausstattung	6	Metall-Fettfilters 12
Technische Daten/Zubehör und Montagematerial für die		Einsetzen/Austausch des Aktiv-
Elektro-Installation	6/7	Kohlefilters bei Umluftbetrieb 12
Vor der Montage	8	Leuchtstoff-Lampenwechsel 13
Betriebsart – Umluft-Vorbereitung	8	Reinigung 13
Betriebsart – Abluft-Vorbereitung	9	Sonderzubehör 14
Montage an der Wand (Abluft/Umluft)	9/10	Störungen 14
Bedienung des Lüfterbausteines (Gerätebeschreibung)	11	
Wichtige Sicherheitshinweise für den Benutzer	12	
Wartung und Pflege	12	

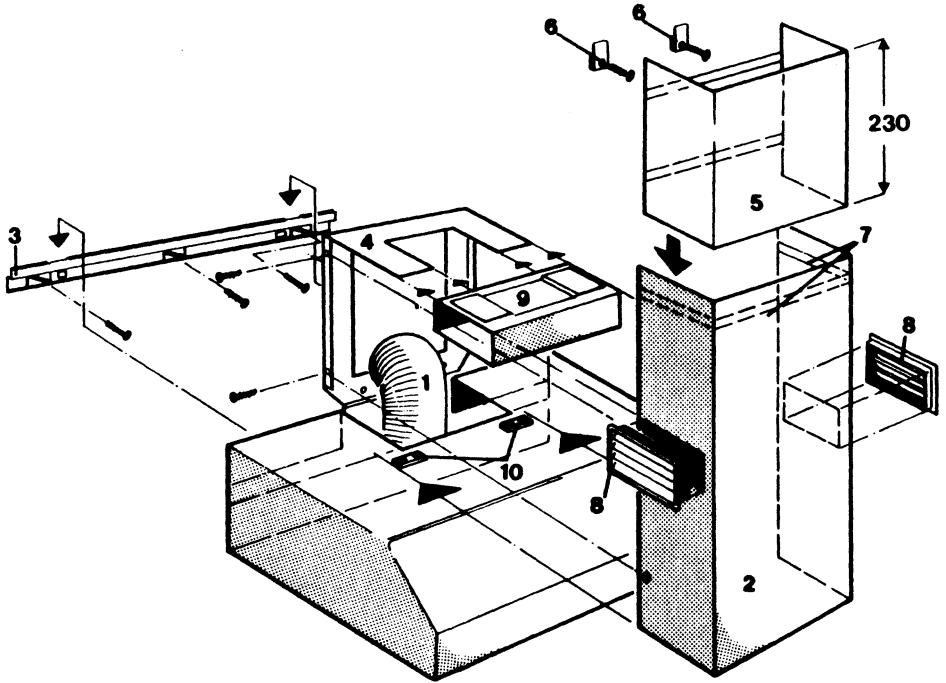
---

**It is essential to read these Instructions for Use and keep them in a safe place!**

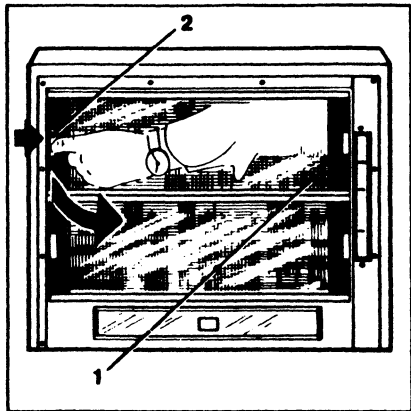
---

**GB**

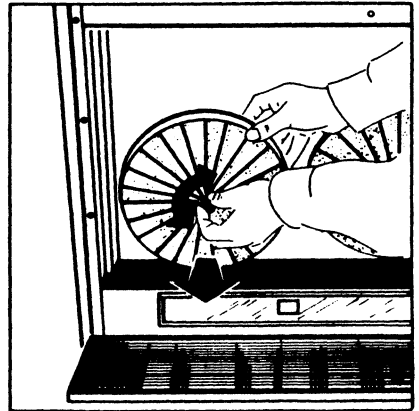
<b>Contents</b>	<b>Page</b>	<b>Page</b>
Illustration pages (please unfold)	4/5	Maintenance and care 22
Equipment	15	Inserting/replacing the metal grease filter 22
Technical data/Accessories and fittings for electrical installation	15/17	Inserting/replacing the active carbon filter in return air mode 22
Prior to installation	18	Changing the fluorescent lamp 23
Preparation for use as return air appliance	18	Cleaning 23
Preparation for use as exhaust air appliance	19	Special accessories 24
Wall mounting (exhaust air/return air modes)	19/20	Faults 24
Operation of fan module (appliance description)	21	
Important safety instructions for the user	22	



1

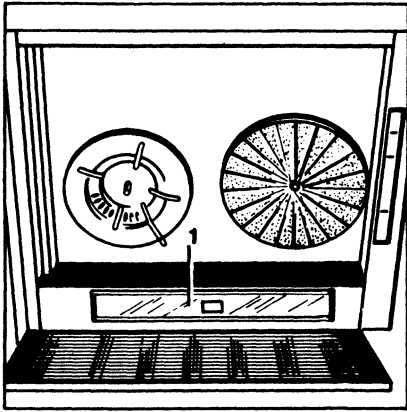


2

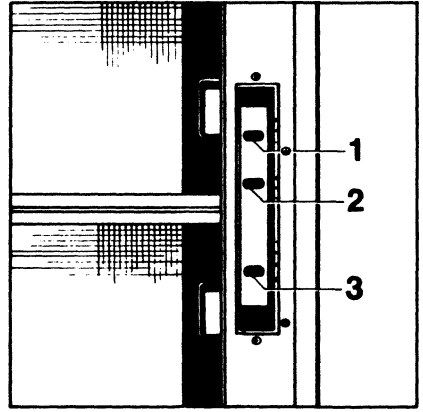


3

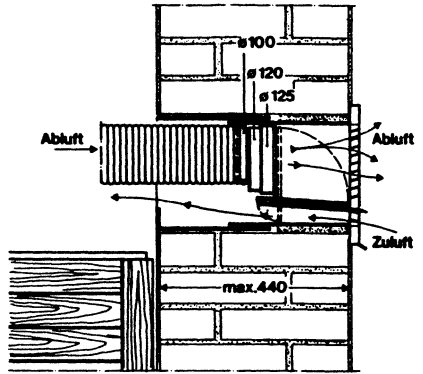
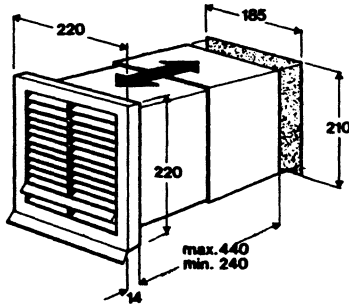
4



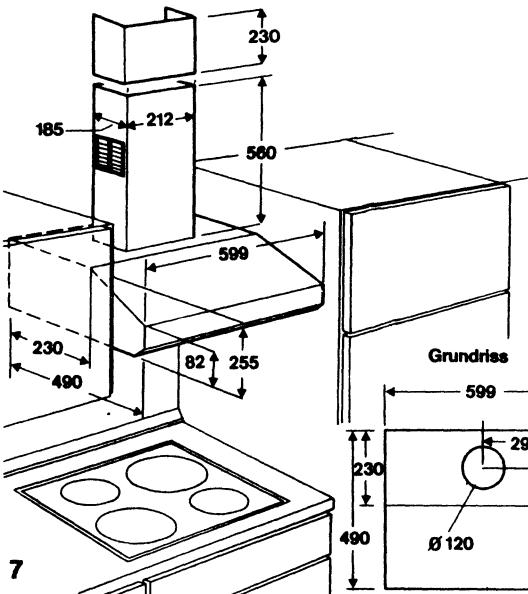
4



5



6



7

---

### **Operation of fume extractor hood**

#### **Appliance description (fig. 1)**

A = Light switch

B = Blower switch (On/Off)

C = Setting blower switch

D = Filter grilles (grease filter)

E = Lighting

The fume extractor hood is switched on and controlled via the different switches.

---

#### **General**

The fume extractor hood is supplied as an exhaust air appliance and may be used as a return air appliance through application of an active carbon filter (**special accessory**).

**For this purpose, you need active carbon filter KL 600 under E-No. 610 899 470 (special accessory).**

**For installation sequence, see page 22.**

#### **Air outlet**

Exhaust air: above (fig. 1/1)

Return air: above (fig. 1/1)

125 mm dia. pipe-connection (fig. 1/1) for 125 mm dia. exhaust air hoses.

We recommend you to use 125 mm dia. exhaust air hoses.

---

## Technical Data

#### **Dimensions: (fig. 7)**

Height/width/depth (mm)

255 x 599 x 490

#### **Weight:**

Net: 16 kg

---

#### **Connection:**

220 V via fixed supply lead with protective contact plug (Europa version).

(Fixed connection to be made only by approved electrical installer.)

---

#### **Connected load**

Total connected load: 165 W

Fan motor: 150 W

Lighting: 15 W  
fluorescent lamp

---

## Technical Data

---

### *Fan outputs (settings) to DIN 44 971*

	Setting 1	Setting 2	Setting 3	Setting 4
Exhaust air	150 m <sup>3</sup> /h	270 m <sup>3</sup> /h	330 m <sup>3</sup> /h	450 m <sup>3</sup> /h
Return air	100 m <sup>3</sup> /h	200 m <sup>3</sup> /h	240 m <sup>3</sup> /h	300 m <sup>3</sup> /h

**Exhaust air with 120 mm dia. pipe system; return air with AEG KL 600 Original Carbon Filter under E-No. 610 899 470.**

---

## Accessories/Fittings

---

- |   |   |
|---|---|
| 1 Wall rail (for fitting the fume extractor hood)   | 1 Chimney equalizer (230 mm high)   |
| 4 Wall plugs for wood screws, 8 mm x 16 mm long (for fitting the chimney retaining panel on the wall and wall rail) | 1 Chimney cover panel with air outlet grille for return air   |
| 4 Button-head wood screws, 5 x 40 to DIN 7996   | 1 Chimney retaining panel   |
| 2 Wall plugs for wood screws, 5 mm x 30 mm long (for fitting the clamping pieces)                                   | 1 Guide-piece (T-piece) for return air mode   |
| 2 Button-head wood screws, 6 x 30 to DIN 65   | 4 Button-head sheet metal screws, 2.9 mm x 6.5 mm long (for fitting the chimney retaining panel to the chimney cover panel) |
| 1 Fitting template for appliance mounting   | 2 Clamping pieces for the chimney equalizer   |
| 1 125 mm dia. hose, 800 mm long   | 3 Screws, 5 mm x 60 mm, to DIN 7996, for fitting the wall rail  |
| 2 Clips for same, 125 mm dia.   | 3 Wall plugs, 8 mm x 60 mm, for wall rail   |
- 

## Electrical installation

---

### **Plug socket:**

The plug socket is arranged inside the chimney cover panel (fig. 1/2).

For the necessary fixed connection, the fume extractor hood should be connected only by an electrical installer registered with the electricity board serving your area. An isolating device is to be provided on the fixed wiring side. **Switches with a contact opening of more than 3 mm apply as isolating device.** These include automatic cut-outs, fuses, and contactors (VDE 0730, §. 7, Part 1).

---

---

## Electrical installation

---

### *Electrical connection (appliances with connected load below 3000 watts)*

**Warning!** All appliances with a 3 core lead must be earthed.

#### **Voltage and current**

Please ensure that the voltage and current indicated on the rating plate agree with the voltage of your electricity supply.  
220/240 volts – (i. e. 220/240 V a. c.)

#### **Electrical connection**

Please note! (For users in the U. K.).  
If your appliance has been equipped with a mains lead with a moulded-on type plug, you must comply with the following regulations:

The plug moulded on to the lead incorporates a fuse. For replacement, use a 13 amp BS 1362 fuse. Only ASTA approved or certified fuses should be used. If the fuse cover/carrier is lost, a replacement cover/carrier must be obtained from electrical goods retailers. If the socket outlets in your home are not suitable for the plug fitted to the appliance, then the plug must be cut off and destroyed for safety reasons, and an appropriate plug fitted. When fitting the plug please note the following points:

#### **Important**

The wires in the mains lead are coloured in accordance with the following code:

Green and yellow	Earth
Blue	Neutral
Brown	Live

Some appliances have a twin core mains lead, when no earth is required.

As the colours of wires in the mains lead of this appliance may not correspond with the coloured markings identifying the terminals in your plug proceed as follows:

1. The wire which is coloured green and yellow must be connected to the Earth terminal in your plug, which is marked with the letter E or by the earth symbol  $\oplus$  or coloured green, or green and yellow.
2. The wire which is coloured brown must be connected to the Live terminal which is marked with the letter L or coloured red.
3. The wire which is coloured blue must be connected to the Neutral terminal which is marked with the letter N or coloured black.

When wiring the plug, ensure that all strands of wire are securely retained in each terminal. Do not forget to tighten the mains lead clamp on the plug. This appliance meets the radio interference suppression requirements of EC Directive 82/499 EC and the standards concerning the effects of electrical appliances on power systems EN 60555 Parts 1-3/DIN VDE 0838 Parts 1-3, June 1987.

Voltage	220/240 V AC
Fuse rating	13 amps

See rating plate for further information.

---

## Prior to installation (Safety precautions)

---

### ***Important:***

The exhaust air may not be introduced into a smoke flue or exhaust gas chimney. Introduction of the exhaust air into a shaft used for ventilation of the installation spaces of firerooms is not permitted.

If the exhaust air is introduced into a non-operational smoke flue or exhaust gas chimney, it is advisable to seek the consent of the competent chimney-sweep. The official exhaust air guidance regulations are basically to be complied with.

During operation as an exhaust air appliance, an adequate supply air opening of approximately the same size as the exhaust air opening is to be ensured.

According to the Provincial Building Regulations, the joint operation of fume extractor hoods and chimney-linked fireplaces, such as coal- or oil-fired ovens and gas heaters, in the same space is subject to specific restrictions. In such spaces, the Fireplace Regulations only allow an underpressure of max. 0.04 mbar.

The safe joint operation of chimney-linked appliances and fume extractor hoods is only guaranteed if space and/or dwelling

(space/air interaction) are externally ventilated by a suitable supply air opening of around 500-600 cm<sup>2</sup> and an underpressure thereby avoided when the fume extractor hood is running.

In doubtful cases, please seek the advice and consent of the competent area chimney-sweep or the local building authorities.

Since, in spaces without fireplace, the rule is:

“Supply air opening as large as exhaust air opening”,

the efficiency of the exhaust air device may be impaired by the greater opening of 500-600 cm<sup>2</sup>.

Operation of the hood as a return air hood in such circumstances is safe and is not subject to the regulations noted above.

If the fume extractor hood is installed above electric, gas, oil, or coal ovens, a minimum distance from the oven plate to the bottom edge of the fume extractor hood of 650 mm is to be ensured.

---

## Return air operating mode

---

### ***Preparation for use as return air appliance***

The fume extractor hood is used as a return air hood if no air shaft or external wall is available. For operation as a return air hood, installation of an active carbon filter for absorption of kitchen fume is necessary. The active carbon filter is supplied as a **special accessory** (for your own account).

1. Remove both metal filter grilles (fig. 2/1) (by unbolting (fig. 2/2) and taking out).

2. Remove both knurled screws on the motor axis (twist to the left), place one active carbon filter on each motor, and screw the knurled screws into the motor axes.
3. Re-insert (engage) both filter grilles (fig. 2/1).

**The fume extractor hood is now ready for return air operation!**



---

## Preparation for use as exhaust air appliance

---

If the kitchen fume is run out into the open air through the external wall, you need a **telescopic wall box (E-no. 610899004, special accessory) (fig. 6).**

**For dimensions and position of air outlet openings, see fig. 1/1.**

**For exhaust air connection of the fume extractor hood to the wall box, it is best to use the 125 mm dia. non-flammable exhaust air hose E-No. 611 899 008 from our special accessories.**

We further recommend flame-retardant materials, such as KA piping or flat ducting.

**The exhaust air opening has a theoretical opening of 125 mm dia. with factory-fitted exhaust air hose piece with 120 mm dia. sleeve for further running of a 125 mm dia. exhaust air hose.**

**Exhaust air upwards or rearwards:**

The exhaust air can be guided upwards or directly rearwards (wall box) by the available moving hose with sleeve inside the chimney cover panel (fig. 1/2).

---

## Wall mounting

---

### ***Installation steps for exhaust air operation:***

1. Hold fitting template (so that the lettering is readable) against the wall, **ensuring distance of min. 650 mm between hobs and lower edge of fume extractor hood.**
2. Mark out and drill the four 8 mm dia. holes. **The shiftable slide-pieces can be used to align the wall rail horizontally. Important note! Only use supplied 5 x 60 mm screws to DIN 7996!**
3. Mount fume extractor hood in wall rail and align concentrically with cooker hob.
4. Insert chimney retaining panel (fig. 1/4) in fume extractor hood (cutout for exhaust air hose) so that both angles (above) show forwards (fig. 1/4). Fix chimney retaining panel to wall with six 8 x 40 mm wall plugs and 8 x 40 mm screws.
5. Connect exhaust air hose (without sleeve) of fume extractor hood directly to wall box at rear, connect 125 mm dia. exhaust air hose to sleeve, and continue run.
6. **Mount chimney equalizer (fig. 1/5) flush with ceiling** concentrically with fume extractor hood **45 mm** from lower edge of ceiling. Fix clamping piece with 5 x 30 mm wall plug and screw. Engage upper web of chimney equalizer in clamping piece from below (fig. 1/6).
7. Pull off foil on double adhesive tape above in chimney cover panel (fig. 1/7).
8. Slide chimney cover panel (fig. 1/2) (with ventilation grilles at side) (fig. 1/8) from front on to fume extractor hood until they engage the retainers on the RH and LH sides. Firmly press against the chimney equalizer above (joined by double adhesive tape).
9. Mount chimney cover panel (fig. 1/2) on chimney retaining panel at side with four 2.9 x 6.5 mm sheet metal screws.

---

## Wall mounting

---

### **Additional installation steps for return air operation:**

Installation steps as for exhaust air under points 1-4.

5. Slide guide-piece (**fig. 1/9**) on to chimney retaining panel (**fig. 1/4**).
6. Fix exhaust air hose on guide-piece with 125 mm dia. hose clip.
7. Fix chimney equalizer as described under exhaust air operation.
8. Unclip ventilation grilles (**fig. 1/8**) from chimney cover panel, slide chimney cover panel from front on to fume extractor hood after pulling off foil (double adhesive tape) (**fig. 1/7**) until it engages the retainers on the RH and LH sides.
9. Mount chimney cover panel (**fig. 1/2**) on chimney retaining panel at side with four 2.9 x 6.5 mm sheet metal screws.
10. Clip ventilation grilles at side (on RH and LH sides) on to guide-piece (**Important note! Lamination position obliquely downwards!**).

**Important note! If preparation fails, insert two active carbon filters for return air operation!**

---

---

## Operation of fume extractor hood

---

### *Appliance description*

The individual numbers and symbols have the following meanings:

(fig. 5/1-2-3)

(fig. 5/1)



= **Lighting switch**

0 = Off  
1 = On

(fig. 5/2)

= **Blower switch**

0 = Off  
1 = On

(fig. 5/3)

= **Blower sliding switch**

blower output  
adjustable in 4 settings

---

The fume extractor hood is to be switched on before cooking starts and allowed to run on for around 15 minutes when cooking has ended!

---

---

## Important instructions for the user

---

It must be ensured that **open flame hobs are always covered** so that the **filter mats are not damaged** by excessive heat liberation. **During deep-frying over a cooker, the appliance used for deep-frying must also be continuously supervised during operation.** The oil contained in the deep-frying appliance may spontaneously ignite through overheating. If contaminated oil is used, spontaneous ignition may occur even more readily. It should be noted that

overheating may cause a fire. **Flambé-cooking under the fume extractor hood is not allowed.**

To switch on the fume extractor hood, set switch (fig. 5/2) to 1. The blower will then operate. Switch on the fume extractor hood to the required output with the blower switch (fig. 5/3). Operate the switch as indicated (fig. 5/1) for the lighting.

---

## Maintenance and care

---

### *Inserting/replacing the metal grease filter*

Both metal grease filters inserted in the appliance should be removed every 6 weeks and cleaned in the dishwasher or by hand.

---

### *Inserting/replacing*

To replace, proceed as follows:

1. De-energize the appliance (unplug the appliance and/or switch off fuses).
2. Inwardly compress locks (fig. 2/2) on RH and LH sides of metal grease filter and remove filters (fig. 2/1).

3. Clean metal filter grille with lukewarm soap-suds (or place in dishwasher) and dry.
  4. Arrange filter grille so that both lugs of filter grille engage holding slots of appliance.
- 

### *Inserting/replacing the active carbon filter in return air mode*

The active carbon filter must be changed not later than after 12 months. The active carbon filter cannot be washed or regenerated. Good deodorization is conditional upon a functional active carbon volume matched to the air ducting of your fume extractor hood. This high-grade filter carbon will then retain

an effective deodorizing effect for around 1 year under conditions of average household use. Use therefore only AEG Original Active Carbon Filters and also make sure you change them promptly (see page 24 under **Special accessories**).

---

---

## Maintenance and care

---

**To replace (change) the active carbon filter, proceed as follows:**

1. De-energize (unplug) appliance (or switch off fuses).
2. Unbolt and remove both filter grilles (fig. 2/1) and (fig. 2/2).
3. Remove old active carbon filter (unscrew knurled screws), insert new one, and refix with knurled screws (fig. 3/arrow).

4. Insert and lock both filter grilles.

**The fume extractor hood is then ready to operate in return air mode!**

---

## Changing the fluorescent lamp

---

**Important note:**

**Use max. 15 W fluorescent lamp!**

**You can change the fluorescent lamp yourself!**

Before changing the lamp, unplug the appliance and place light switch (fig. 5/1) on "0".

1. Unclip lamp cover (fig. 4/1) from housing by sliding to left.
2. Unscrew defective fluorescent lamp and replace with new one (starter located behind fluorescent lamp).
3. Clip in lamp cover.

---

## Cleaning

---

**At least once per year, you should clean internal surfaces of your appliance free of grease deposits to ensure that its full reliability is retained. Old grease residues are highly flammable. Supersaturated grease and deodorization filters are therefore also to be avoided.**

**It is important to comply with the filter change and cleaning interval requirements.**

**Failure to comply may entail a fire risk as a result of grease deposits!**

Clean the external parts with a mild washing-up liquid solution. Never use abrasive detergents, brushes, or scouring powders. Sprays should not be used as cleaners on the internal surfaces of your appliance.

**Important! To clean the fume extractor hood, de-energize the appliance (e.g. pull out mains plug).**

**Never introduce pointed objects into the protective grille of the motor!**

---

## Special accessories

---

KL 600 active carbon filter (pack of 2)	E-No. 610899470
Wall box MKZ (overall dimensions H x B 220 mm x 220 mm) (wall opening 210 mm x 185mm)	E-No. 610899004
Exhaust air hose 125 mm dia., aluminium	E-No. 610899008

---

## Faults

---

In case of any enquiries and faults, please call our after-sales service (see list of service centres).

When calling, please state the following:

1. The model designation
2. The E-No.
3. The F-No.

**You will find these data on the rating plate after opening the grease filter grille on the LH inside of the fume extractor hood.**

The manufacturer reserves the right to make alterations in design and colour in the interests of technical development without prior notice.

---

This appliance complies with the radio interference suppression requirements of EEC Directive 82/499 EEC as well as with the Standard concerning the Retroactive Effect of the Mains Supply EN 60555 Part 1-3/DIN VDE 0838 Parts 1-3, June 1987.

---



---

Bitte geben Sie unserem Kundendienst folgende Angaben bei einer Störung an:

If your appliance has a fault, please contact our service engineer  
and state the following numbers:

Veillez donner ces indications au service après-vente lors d'une panne éventuelle:

Geef onze klantendienst het volgende bij een storing op:

E-Nr. 610 .....

F-Nr. ....

H 261 244 600 – 0188/02 –

Änderungen vorbehalten  
Subject to alterations and improvements in design without prior notice  
Sous réserve de modifications  
Wijzigingen voorbehouden

**AEG**