

**AEG**

**Built-in Fume Extractor Hood EFA 55**

**Installation and operating instructions**

## Preparation of built-in cabinet

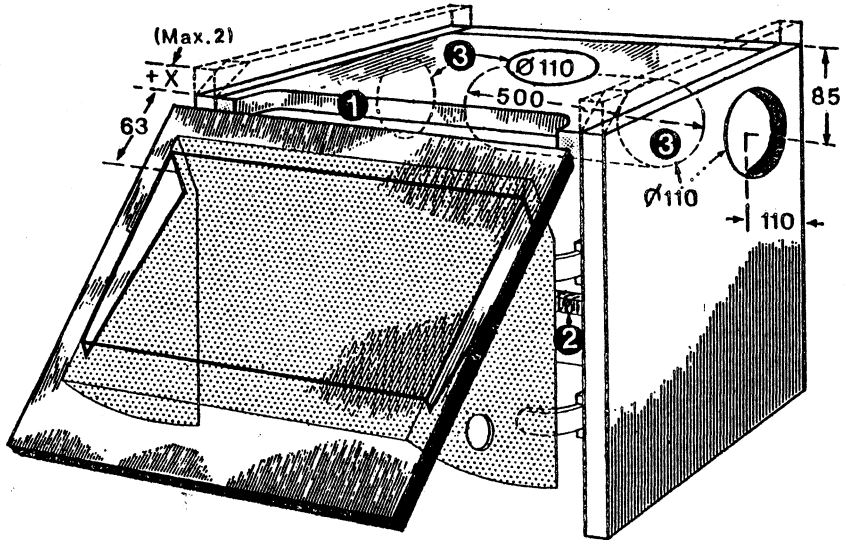
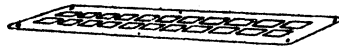


fig. 1 – exhaust air appliance –



### Note!

For reasons of clearnes fig. 2 is drawn without door, all basic dimensions, however, which apply both to exhaust air and recirculating air appliance are given. The only exceptions are ③ and ④ which apply to exhaust air and recirculating air appliance respectively.

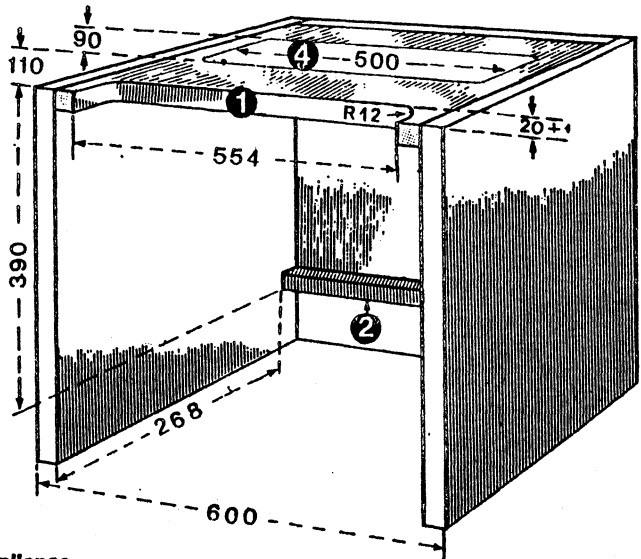


fig. 2 – recirculating air appliance –

Installation of appliance in  
the wall cabinet

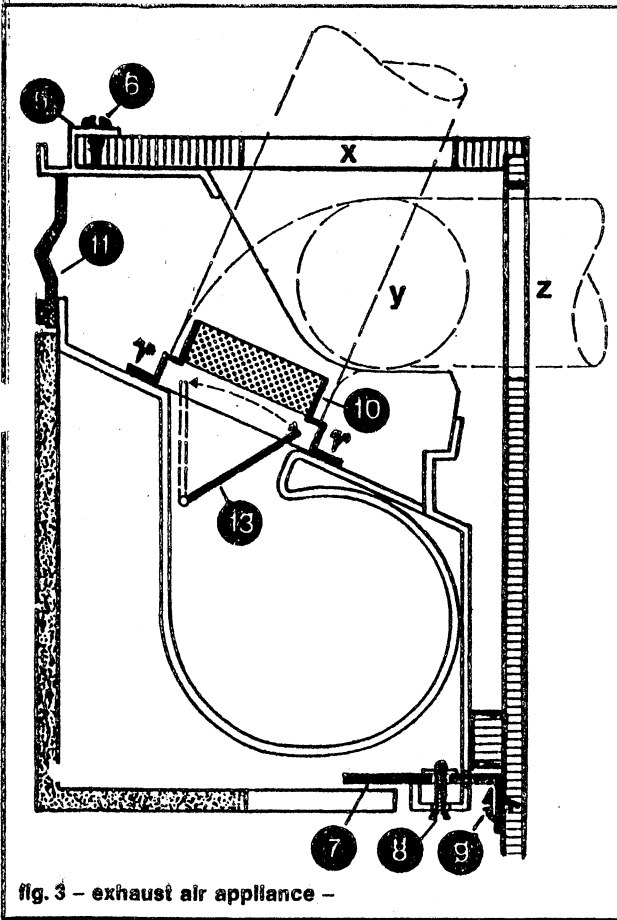


fig. 3 - exhaust air appliance -

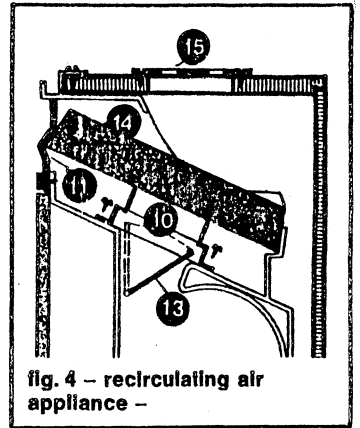


fig. 4 - recirculating air  
appliance -

Installation of cabinet door

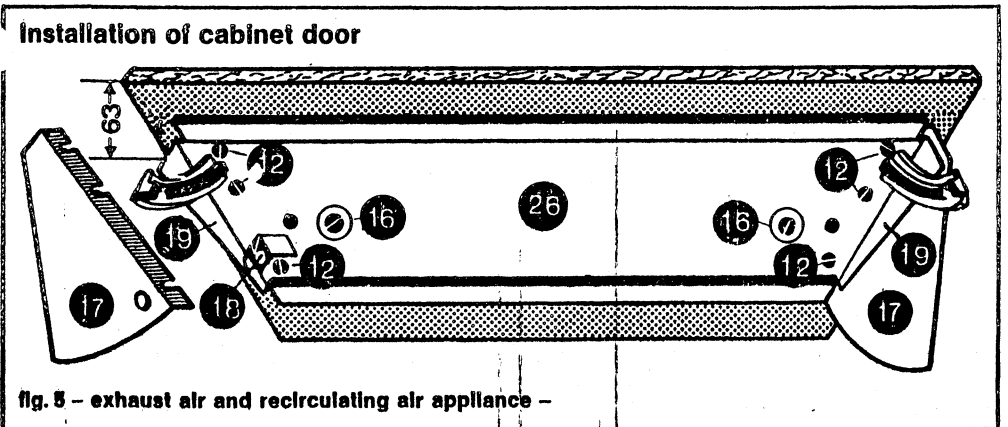


fig. 5 - exhaust air and recirculating air appliance -

## Attachement and detachment of door

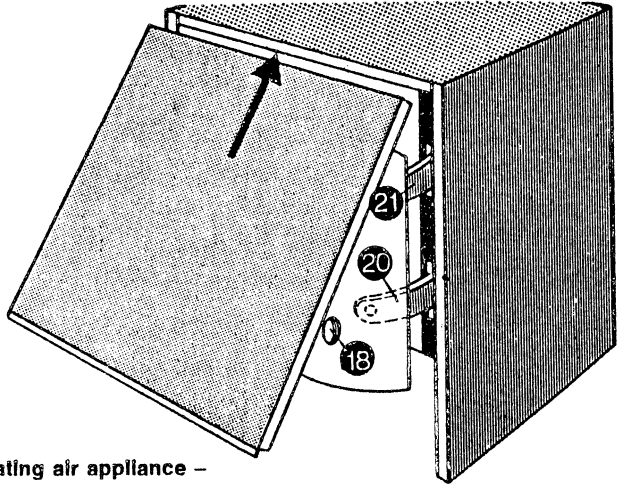


fig. 6 – exhaust air and recirculating air appliance –

## Maintenance

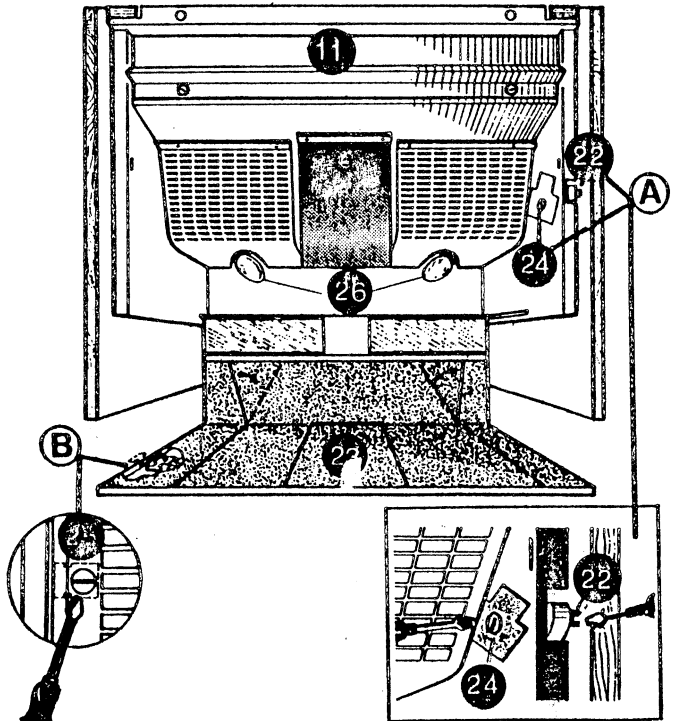


fig. 7 – exhaust air and recirculating air appliance –

## Scope of Delivery

The appliance is supplied in the exhaust air version (fig. 1).

It can also be converted into a recirculating air appliance. This requires a fresh-air filter unit which is available from domestic appliance dealers (E-No. 610 899 049).

### Note when unpacking appliance

The door plate for the cabinet door is hooked on the appliance.

Both door profiles, the venting grille (for recirculating air appliance) and the screws are enclosed loosely.

### Accessories for connection with exhaust air operation:

Exhaust air pipe (100 mm dia.) and, if necessary, wall box – both are available from domestic appliance dealers.

## Technical Data

### Dimensions: (mm)

a) Fume extractor hood: height 420, width 549, depth 265 mm

b) Installation dimensions of wall cabinet: see figs. 1 and 2

Weight: appliance without wall cabinet approx. 12 kg

Connection: via permanently attached supply lead with plug into socket of 240 VAC; a permanent connection, if required, should only be made by an electrician.

Total connected load: 200 W

Lighting: 2 candle lamps (E 14) 40 W each

Radial fan capacity: 2-stage system (approx 190 and 250 m<sup>3</sup>/h)

Grease filter mat: length 496, width 410, height 15 mm

Connecting pipe: 100 mm dia.

Subject to technical modifications.

## Installation Instructions

This exhaust air or recirculating air appliance is recommended for use in connection with electric or gas ranges.

### Note!

The relevant regulations (e.g. local building code) should be observed when installing fume extractor hoods.

a) Installation dimensions according to dimension drawing (figs. 1 and 2).

b) most convenient exhaust air connection; do not connect to exhaust gas chimney but only to an exhaust air duct or a wall opening.

The air duct must have a draught of 4 to 5 mm or gauge. When it is straight, the pipe may have a maximum length of 5 m. When it contains one bend of 90° it should have a maximum length of 3 m, and when it contains two bends of 90° each its length should not exceed 1 m.

c) minimum distance from cooking area to lower edge of filter grille approx. 700 mm.

d) electrical connection according to local regulations.

### A Preparation of built-in cabinet

(figs. 1 and 2)

a) Mill out recess ① at the front of the cabinet to. Pay attention to dimensions 554/20<sup>+</sup>/R 12.

b) Prepare stop ② and fasten it inside the cabinet at the rear wall. Observe dimensions 268/390 mm.

### Exhaust air appliance

c) Cut out outlet ③ (in side wall, back wall or top of cabinet) depending on position of exhaust air duct.

### Recirculating air appliance

c) Saw out recess ④ from the top of the cabinet for mounting the venting grille. Note dimensions 500/90 mm.

### B Preparation of appliance

(figs. 5 and 6)

Remove door plate from appliance; to do this, take door plate ⑤ at the bottom right hand side and swing it out completely. For disengaging the switch stick ⑥ press it inwards and unhinge door plate.

### C Installation of appliance in the wall cabinet

1. Exhaust air appliance (as supplied by the manufacturer) – fig. 3 –

a) Lift appliance into the cabinet in such a way that it is in contact with the stop and both

clips 5 rest on the top edge of the cabinet top.

b) Push appliance at the bottom against the back wall and adjust to the sides.

c) Loosen clamping screw 8. Fasten bracket 7 with screws 9 to the back wall.

d) Push appliance to the back until a stop is reached and fasten clamping screw 8.

e) Fasten clips 5 with screws 6.

f) Run exhaust air hose (to be provided by the customer) through the respective outlet (X-Y-Z) and mount on connecting piece 10. To do this, remove screen of the filter box 11.

g) For installation of door see D.

## 2. Recirculating air appliance (fig. 4)

a) Prepare built-in cabinet according to section A and install venting grille 15.

b) Unscrew connecting piece 10 and remove check flap 13 by bending it.

c) Install appliance in wall cabinet according to section C.

d) Remove screen 11, insert fresh-air filter 14 and re-install screen.

e) For installation of door see D.

## D Installation of cabinet door

(figs. 1, 5 and 6)

1. Installation of door plate (removed from appliance - see B -)

a) Place door plate 26 on the inner side of the door. The distance of the top edge of the door to the top edge of the door plate side 19 is 63 mm if cabinet sides are plane with the cabinet top.

If the cabinet side walls are higher than the cabinet top the projecting dimension X is to be added to the 63 mm (see fig. 1).

If the cabinet side walls are higher than 2 mm compared to the cabinet top the protruding corners at the front are to be splayed to such an extent that the door can be freely opened (see fig. 1).

b) Adjust door plate 26 to the sides and mount with screws 16 and washers.

2. Attachment of door to the cabinet (fig. 6); to do this,

a) Pull switch stick 20 forward completely.

b) Insert door with its guide bars 21 on both sides in the recess on the appliance and lift it to such an extent that the upper edge of the door comes into contact with the cabinet.

c) Push door backwards until it comes into contact with the switch stick 20.

d) Enter switch stick 20 into the carrier hole 18 from the inside.

e) Close door and check if it fits properly.

## 3. Detachment of door (figs. 5 and 6)

a) Open door and disengage switch stick 20 by pressing it inwards.

b) Slightly lift door and detach it.

c) If realignment is necessary loosen screws 16 and adjust door.

d) Fasten door plate 26 and profiles 17 with screws 17 on both sides.

e) Attach door to cabinet (see 2.).

## E Note

(fig. 7) detail A and B

a) The stop of the door can be finely adjusted by turning the eccentric carrier bolt 27 on the switch stick.

b) In case the moving mechanism of the door operates either too hard or too easily it can be adjusted; to do this, detach cabinet or unlatch latching screw 25, open filter grille 23 and turn adjusting screw 24.

## F Electrical connection

After installation of the appliance has been completed the electrical connection to the mains supply (240 VAC) is made.

a) Via a permanently attached supply lead with plug into socket or

b) via a permanent connection to the mains supply (only to be made by an electrician).

# Operating Instructions

## Switching on and off

Is done by opening and closing the cabinet door.

- a) Door slightly opened: lighting is switched on.
- b) Door opened by about 2/3: fan runs slowly (190 m<sup>3</sup>/h).
- c) Door completely opened: fan runs fast (250 m<sup>3</sup>/h).

## Maintenance

Clean or replace the grease filter mat when its colour is identical with that of the reference plate on the filter grille. In any case every two months. Otherwise, the operation safety of the appliance will be impaired.

Cleaning is done by rinsing the mat in warm water with detergent added.

For this purpose, remove filter grille and wire clip (simply clamped in) from the filter mat. Take out mat, rinse it, squeeze it (do not wring), shake it thoroughly and re-install it when it is dry.

The filter mat should be replaced after about 1 year of normal use (ET-No. 660 011 630).

The filter box (applies to recirculating air appliance only) will function properly for a period of about 2 years provided the filter mat (in the filter grille) is cleaned regularly. After 1 to 2 years the filter box should be replaced by a new one.

## Opening of appliance

For replacing or cleaning the filter mat,  
for replacing the filter box,  
for replacing the bulbs,  
for adjusting the moving mechanism of the door.

- a) Pull plug out of socket or trip the corresponding circuit.
- b) Detach cabinet door (see installation instructions "Installation of cabinet door" – attachment and detachment of door –) sections 2. and 3.
- c) Switch off appliance: push in switch stick ⑫ (fig. 6) completely.
- d) Open filter grille ⑮ (fig. 7) and swing it down. To do this, turn latching screws ⑬ (fig. 7, detail B) inwards.

To unhinge the opened filter grille pull right side forward.

Replacement of filter box: to do this, detach cabinet door, unscrew screen ⑪ (fig. 4), replace fresh-air filter ⑭ and re-install screen

## Faults

**Bulbs ⑮** (fig. 7) – candle lamps 220 VAC, 40 W with screw thread E 14 – can be replaced after the appliance has been opened. (It is absolutely necessary to pull the plug or to trip the circuit beforehand).

## Pay special attention!

When deep frying the overheating of fat and oil can lead to self-ignition (fire hazard!) Oil which has been used more often is more easily inflammable! This is why deep frying processes must be observed!

When using gas ranges the appliance is only to be switched on when the naked flames have been covered with pots, pans, etc.

The venting grille ⑮ (fig. 4) of the recirculating air appliance must never be covered.

An adequate supply of fresh air is necessary when the exhaust fumes are conducted into the open or into an air shaft, and when the smoke from the heating system escapes through a chimney.

## In case of any other defects

Please call your customer service department.

Give them:

- ① = the Type-No.
- ② = the GWO-No.
- ③ = the F-No.

