

# FAVORIT 88070 i

User manual

Dishwasher

## Dear Customer

Thank you for choosing one of our high-quality products.

With this appliance you will experience the perfect combination of functional design and cutting edge technology.

Convince yourself that our appliances are engineered to deliver the best performance and control - indeed we are setting the highest standards of excellence.

In addition to this you find environmental and energy saving aspects as an integral part of our products.

To ensure optimal and regular performance of your appliance please read this instruction manual carefully. It will enable you to navigate all processes perfectly and most efficiently.

To refer to this manual any time you need to, we recommend you to keep it in a safe place. And please pass it to any future owner of the appliance.

We wish you much joy with your new appliance.

The following symbols are used in this user manual:



Important information concerning your personal safety and information on how to avoid damaging the appliance.



General information and tips



Environmental information

# Contents

|  |    |
|--|----|
| <b>Operating Instructions</b>                          | 5  |
| Safety   | 5  |
| Diagram of Appliance                                   | 6  |
| Control Panel  | 7  |
| Switching on for the first time – setting the language | 8  |
| Display  | 9  |
| Basic operation  | 10 |
| An overview of the menus                               | 10 |
| Adjusting an option/setting                            | 11 |
| Prior to Using for the First Time                      | 12 |
| Setting the Water Softener                             | 12 |
| Adding dishwasher Salt                                 | 14 |
| Filling Up with Rinse Aid                              | 15 |
| Setting the acoustic signal:                           | 16 |
| In daily use   | 17 |
| Loading cutlery and dishes                             | 17 |
| Adjusting the Height of the Upper Basket               | 21 |
| Adding Detergent                                       | 22 |
| Using 3 in 1 detergents                                | 23 |
| Selecting the dishwashing cycle (Cycle Table)          | 25 |
| Starting a Dishwashing Cycle                           | 27 |
| Setting the delay start                                | 28 |
| Switching Off the dishwasher                           | 29 |
| Care and cleaning                                      | 30 |
| What to do if ...                                      | 31 |
| Resetting the language                                 | 31 |
| Remedying small malfunctions                           | 31 |
| If the dishwashing results are not satisfactory        | 34 |

|   |           |
|---|-----------|
| Disposal  | 35        |
| Technical data                                  | 35        |
| Notes for Test Institutes                       | 36        |
| <b>Installation and connection instructions</b> | <b>38</b> |
| Safety Information for the Installation         | 38        |
| Installing the Dishwasher                       | 39        |
| Connecting the dishwasher                       | 40        |
| Electrical Connection                           | 42        |
| <b>Guarantee/Customer Service</b>               | <b>43</b> |
| <b>Service and Spare Parts</b>                  | <b>47</b> |

# Operating Instructions



## Safety

### Prior to using for the first time

- Follow the **"Instructions for installation and connection"**.

### Correct Use

- The dishwasher is only intended for washing domestic dishes.
- Additions or modifications to the dishwasher are not permitted.
- Use only special salt, detergent and rinse aid suitable for domestic dishwashers.
- Do not put any solvents in the dishwasher. This could cause an explosion.

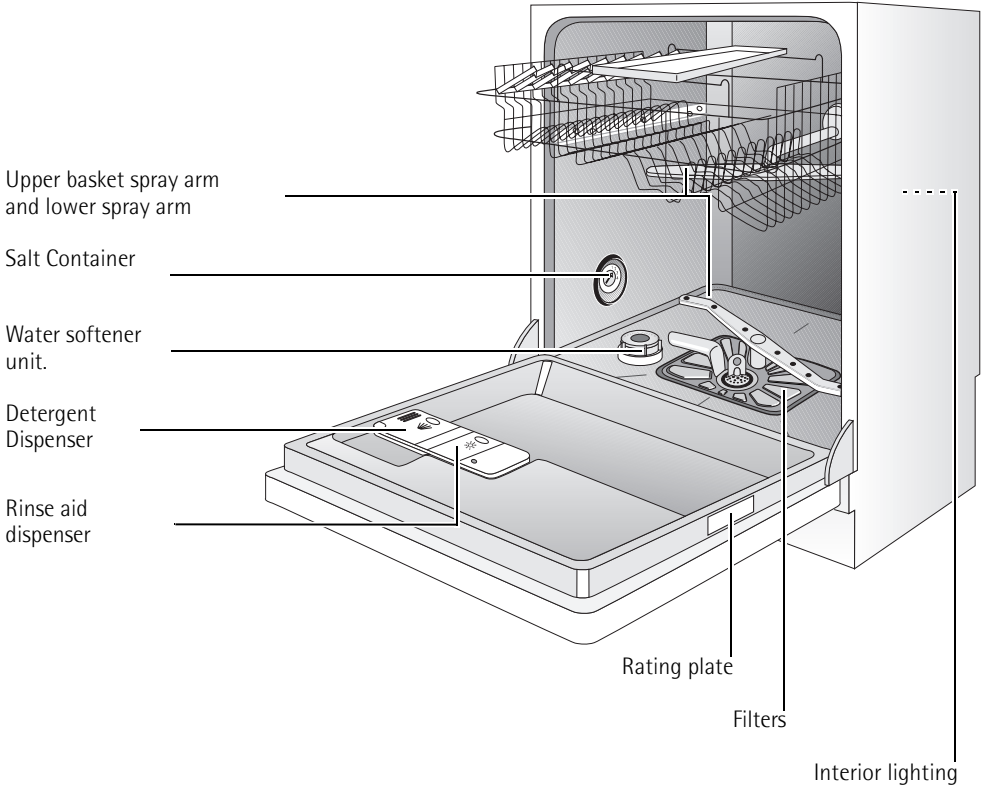
### Child Safety

- Keep packaging away from children. There is a risk of suffocation.
- Children often do not recognise the hazards associated with electrical appliances. Don't allow children to use the dishwasher unsupervised.
- Make sure that children and pets don't climb into the dishwasher. Could endanger life!
- Dishwasher detergents can cause chemical burns to the eyes, mouth and throat. Could endanger life! Comply with the safety instructions of the dishwasher detergent manufacturer.
- The water in the dishwasher is not for drinking. Risk of chemical burns.

### General Safety

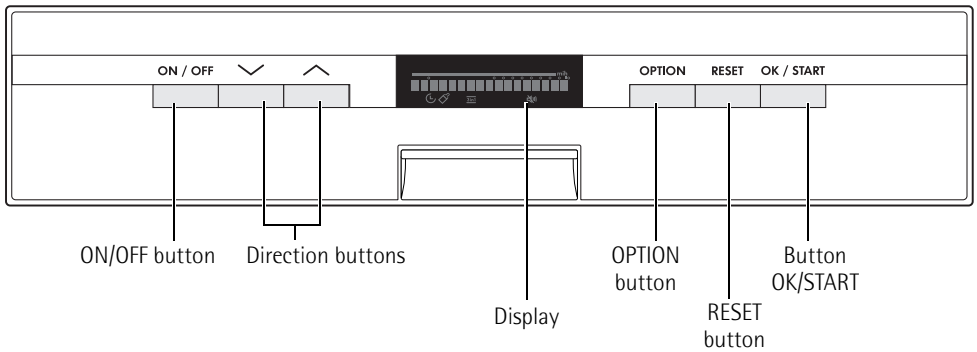
- Repairs to the dishwasher are only to be carried out by qualified/authorised service engineers.
- When the dishwasher is not being used, switch it off and shut off the water tap.
- Never unplug the appliance by pulling on the cable. Always pull the plug.
- Ensure that the door of the dishwasher is always closed when it is not being loaded or unloaded. In this way you will avoid anybody tripping over the open door and hurting themselves.
- Never sit or stand on the open door.
- If the dishwasher is located in a room where there may be a frost, remove the connection hose from the tap after each use of the dishwasher.

## Diagram of Appliance



This dishwasher has an internal light that turns on and off when the opening and closing of the dishwasher's door occurs.  
Internal light equipped with led lamp CLASS 1 in accordance with EN 60825-1: 1994 + A1:2002 + A2:2001  
In case that this light has to be replaced, please contact your local Service Force Centre.

# Control Panel



## Button functions

|                   |   |
|-------------------|---|
| ON/OFF            | – Switching the appliance on and off  |
| Direction buttons | – Selecting within the menu<br>– Selecting a value when adjusting options or settings   |
| OPTION            | – Changing between Programmes menu and Options menu<br>– while a dishwashing cycle is running: briefly changing the display's text line from displaying the cycle stage to displaying the dishwashing cycle     |
| RESET             | – cancelling the cycle that is running<br>– with options and settings: cancelling the setting procedure<br>– changing from Options menu to Programmes menu<br>– changing from Settings sub-menu to Options menu |
| OK/START          | – in the Programmes menu: starting a selected programme<br>– changing from SETTINGS... (Options menu) to Settings sub-menu<br>– in the Options menu: starting and finishing the setting procedure               |

## Switching on for the first time – setting the language

1. Press the ON/OFF button.

First of all HELLO appears in the display. As soon as the dishwasher is ready for use, this is replaced by LANGUAGE ENGLISH; the word ENGLISH is flashing.



LANGUAGE ENGLISH

2. Using the direction buttons (↶ or ↷) select the desired language.




LANGUAGE ENGLISH

3. Press the OK/START button.

This will have changed the display to the desired language. CHOOSE PROGRAMME is shown in the display.



CHOOSE PROGRAMME

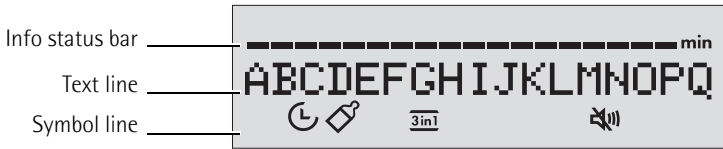
 If you want to change the language at a later time, please see the section "Re-setting the language".

 You can adjust the display lighting, by changing the settings BRIGHTNESS and CONTRAST<sup>1</sup>; see section "Basic operation".

1. not available with all models



# Display



The **info status bar** consists of a row of individual lamps that is divided into two sections: the left section refers to the Programmes menu, the right section to the Options menu.





- In the Programmes and Options menus you can see at what stage within a cycle you currently are (the relevant lamp flashes).
- While a dishwashing cycle is running, the info status bar functions as a programme progress display. You can then see at any time how many programme stages are still to take place (including the current programme stage).

The **text line** indicates in the Programmes menu the name of the programme selected and the estimated length of the cycle in minutes.

- In the Options menu the name of the selected option or setting is displayed and the current value set.
- While a dishwashing cycle is running, in the text line you can see the name of the current programme stage and the estimated time remaining for the whole dishwashing cycle.  
Using the OPTION button you can briefly display the name of the dishwashing cycle.

- If there is a fault, a message is displayed.

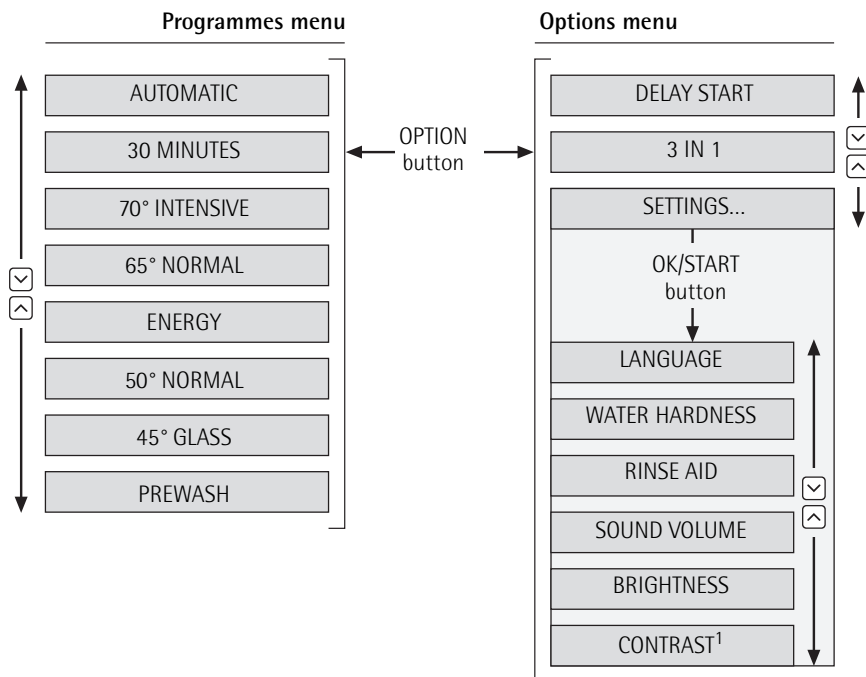
The symbols in the **symbol line** have the following meanings:

|   |   |
|---|---|
|  | – Option DELAY START active   |
|  | – Programme selected for the hygienic cleaning of e.g. babies' bottles    |
|  | – Option 3 IN 1 active  |
|  | – Loudspeaker is switched off; no acoustic signals (SOUND VOLUME setting) |

# Basic operation

This section contains basic information regarding the use of your dishwasher. Please read this section very carefully.

## An overview of the menus



1. not available with all models

### The Programmes menu

- After switching on the dishwasher you will find yourself in the Programmes menu.
- Select your dishwashing cycle here using the direction buttons (⬆ or ⬇). In the info status bar your position within the menu is always shown.
- Change to the Options menu using the OPTION button.

## The Options menu

- Go to the desired setting using the direction buttons (⏮ or ⏭). In the info status bar your position within the menu is always shown.
- For the option DELAY START see the section "Setting a delay start" for the option 3 IN 1 see the section "Before using for the first time"
- Use the OK/START button to switch from the menu item SETTINGS... to the Settings sub-menu.


## The Settings sub-menu


Go to the desired setting using the direction buttons (⏮ or ⏭). In the info status bar your position within the sub-menu is always shown.

- **LANGUAGE**  
To set the language of the text line in the display; also see the section "Resetting the language".
- **WATER HARDNESS**  
To set the value for water hardness electronically (value range 1 to 10).
- **RINSE AID**  
When option 3 IN 1 is activated: Switch rinse-aid addition function on or off.  
When option 3 IN 1 is not activated: The rinse-aid addition function is always switched on, even if OFF is selected for RINSE-AID.
- **SOUND VOLUME**  
To set the sound volume of the acoustic signals (value range 0 to 5); at 0 the acoustic signals are switched off.
- **BRIGHTNESS**  
To set the brightness of the display (value range 1 to 10).
- **CONTRAST<sup>1</sup>**  
To set the contrast of the display (value range 1 to 10).

## Adjusting an option/setting

1. Go to the option or setting that you wish to adjust.
2. Press the OK/START button. The value that is currently set will flash.
3. Using the direction buttons (⏮ or ⏭) select the desired value.
4. Press the OK/START button. The newly set value is lit without flashing.
5. Using the direction buttons (⏮ or ⏭) you can select another option or setting.

 A selected value is accepted using the OPTION button. In the display the first entry in either the Options or Settings menu is displayed.

 You can abort the setting procedure using the RESET button.

1. not available with all models

## Prior to Using for the First Time

- i** If you wish to use 3 in 1 detergent:
- First read the section "Using 3 in 1 detergents".
  - Do not fill up with special salt or rinse aid.

If you do not use 3 in 1 detergent, before using for the first time

1. Set the water softener
2. Fill up with dishwasher salt
3. Fill up with rinse aid

## Setting the Water Softener

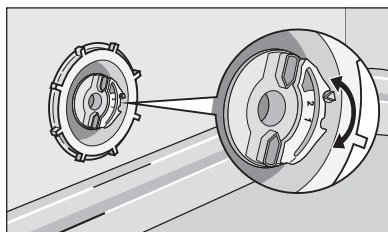
The water softener must be set manually and electronically:

- i** To avoid scale deposits on the dishes and in the dishwasher, the dishes must be washed with soft water, i.e. water with a low lime content. The water softener must be set according to the table to the water hardness in the area where you live. Your local water company will be able to give you information about the water hardness in your area.

The dishwasher must be switched off.

### Setting manually:

1. Open the dishwasher door.
2. Remove the lower basket from the dishwasher.
3. Turn water hardness dial on the left wall of the dishwasher interior to 1 or 2 (see table).



**Setting electronically:**

1. Press the ON/OFF button.



If the name of a programme stage is highlighted in the display, a dishwashing cycle is active. First of all you must cancel the dishwashing cycle:

- Press the RESET button. CONFIRM CANCEL? appears in the display.
- Press the OK/START button. This cancels the dishwashing cycle.

2. Go to the WATER HARDNESS setting; see section "Adapting an option/setting".
3. Set WATER HARDNESS to the right setting.

If the water softener is set electronically to "1" this switches off the display of the REFILL SALT message.

| Water hardness      |                         |       | Adjusting the hardness setting |                  |
|---------------------|-------------------------|-------|--------------------------------|------------------|
| in °d <sup>1)</sup> | in mmol/l <sup>2)</sup> | Range | Manual                         | Electronic       |
| 51 - 70             | 9,0 - 12,5              | IV    | 2*                             | 10 <sup>3)</sup> |
| 43 - 50             | 7,6 - 8,9               |       |                                | 9                |
| 37 - 42             | 6,5 - 7,5               |       |                                | 8                |
| 29 - 36             | 5,1 - 6,4               |       |                                | 7                |
| 23 - 28             | 4,0 - 5,0               |       |                                | 6                |
| 19 - 22             | 3,3 - 3,9               | III   | 1                              | 5*               |
| 15 - 18             | 2,6 - 3,2               |       |                                | 4                |
| 11 - 14             | 1,9 - 2,5               | II    |                                | 3                |
| 4 - 10              | 0,7 - 1,8               | I/II  |                                | 2                |
| below 4             | below 0.7               | I     |                                | 1                |
|                     |                         |       |                                |                  |

1) (°d) German degree, measure of the hardness of water

2) [mmol/l] millimol per litre, international unit for water hardness

3) On this setting the length of the dishwashing cycle may be slightly longer.

\*) factory setting

## Adding dishwasher Salt

To decalcify the water softener, it must be filled up with dishwasher salt. Use only special salt suitable for domestic dishwashers.

If you do not use 3 in 1 detergent, fill up with dishwasher salt:

- Before using the dishwasher for the first time.
- If when starting a cycle the message REFILL SALT is displayed.

1. Open the door and remove the lower basket.
2. Unscrew the lid on the salt dispenser by turning it anti-clockwise.
3. **Only when using the dishwasher for the first time:**

Fill the salt dispenser with water.

4. Place the funnel (supplied) over the dispenser opening.  
Fill the dispenser with dishwasher salt; the capacity of the dispenser is approx. 1.0-1.5 kg, depending on the size of the grains. Do not overfill the dispenser.



**i** If water overflows when filling up with dishwasher salt, this is completely harmless.

5. Clean away any salt remnants from the dispenser opening.
6. Screw the lid back on in a clockwise direction.
7. **Run a dishwashing cycle after filling the salt dispenser with dishwasher salt.** This will wash away salt water and salt crystals that have been spilt.

**i** Depending on the size of the grains, it can take several hours for the salt to dissolve in the water and for the message REFILL SALT not to be displayed when starting a dishwashing cycle.

## Filling Up with Rinse Aid

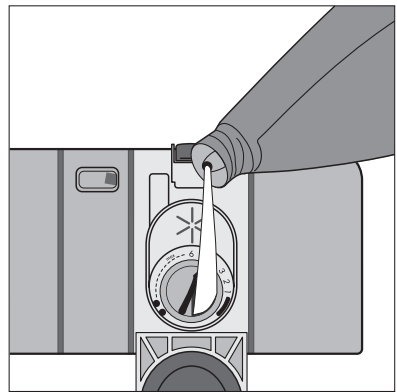
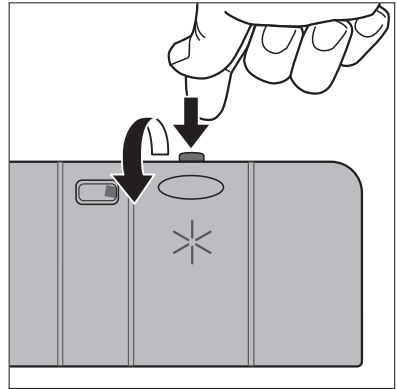
Rinse aid causes the rinse water to flow easily from the crockery leaving gleaming dishes and glassware.

If you do not use 3in1 detergent, fill up with rinse aid:

- Before using the dishwasher for the first time.
- If when starting a dishwashing cycle the message REFILL RINSE AID is displayed.

Use only special rinse aid for dishwashers.

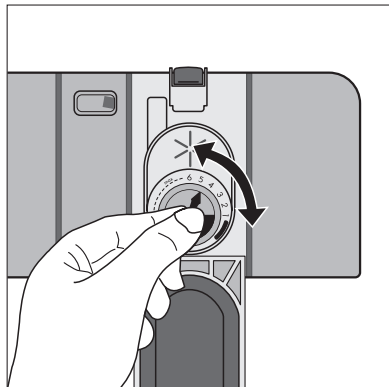
1. Open the door.  
The rinse aid compartment is located on the inside of the dishwasher door.
2. Press the release button on the rinse aid compartment.
3. Open the cover.
4. Pour rinse aid in slowly right up to the broken "max" line;  
this corresponds to a volume of approx. 140 ml when full.
5. Press the lid shut until it clicks into place.
6. Wipe up any spilt rinse aid with a cloth.  
Otherwise there will be too much foam when rinsing.



## Setting the Amount of Rinse Aid Required

**i** Only change the amount dispensed, if smears, milky spots (reduce the amount) or dried on water spots (increase the amount) can be seen on glasses and dishes. (See section "If dishwashing results are not satisfactory.") The dosage can be set from 1-6. The dosage is pre-set to "4" in the factory.

1. Open the dishwasher door.
2. Press the release button on the rinse aid compartment.
3. Open the cover.
4. Set the dosage level.
5. Press the lid shut until it clicks into place.
6. If rinse aid has leaked out, wipe it away with a cloth.



## Setting the acoustic signal:


In addition to the optical display (e.g. indicating the end of the cycle, errors) you can also choose to set an acoustic signal.

1. Press the ON/OFF button.

**i** If the name of a programme stage is highlighted in the display, a dishwashing cycle is active. First of all you must cancel the dishwashing cycle:

- Press the RESET button. CONFIRM CANCEL? appears in the display.
- Press the OK/START button. This cancels the dishwashing cycle.

2. Go to the SOUND VOLUME setting; see the section "Adapting an option/setting".
3. Set the value for the sound volume.

You can set a value from 0 to 5. At 5 the acoustic signals are very loud, at 0 no acoustic signals are emitted; in addition the symbol  is lit in the display.



# In daily use

## Loading cutlery and dishes



Sponges, cleaning cloths and any other objects that can absorb water must not be washed in the dishwasher. Plastic and Teflon-coated dishes and pans tend to retain water droplets. These dishes and pans therefore do not dry as well as those made of china and stainless steel.

For washing in the dishwasher, the following cutlery/dishes/pots and pans

| are not suitable:  | are of limited suitability:  |
|--|--|
| <ul style="list-style-type: none"> <li>• Cutlery with wooden, horn, china or mother of pearl handles</li> <li>• Plastic items that are not heat resistant</li> <li>• Older cutlery with cement that is sensitive to temperature</li> <li>• Dishes or cutlery with glued parts</li> <li>• Pewter or copper items</li> <li>• Lead crystal glass</li> <li>• Steel items that rust</li> <li>• Wooden boards/platters</li> <li>• Items made from synthetic materials</li> </ul> | <ul style="list-style-type: none"> <li>• Only wash stoneware in the dishwasher if it is specifically marked by the manufacturer as being dishwasher-safe.</li> <li>• Glazed patterns may fade if washed very frequently in the dishwasher.</li> <li>• Silver and aluminium parts have a tendency to discolour during washing. Food remains, e.g. egg white, egg yolk and mustard often cause discoloration and staining on silver. Therefore always clean food residues from silver immediately, if it is not to be washed straight after use.</li> <li>• Glass can become dull after a large number of washes.</li> </ul> |

- Before loading the dishes, you should:
  - Remove the worst of the food residues.
  - Soak pans with burnt-on food residues.
- When loading the dishes and cutlery, please note:
  - Dishes and cutlery must not impede the rotation of the spray arms.
  - Load bowls, cups, glasses, pans, etc. with the opening downwards so that water cannot collect in them
  - Dishes and items of cutlery must not lie inside one another or cover one another
  - To avoid damage to glasses, they must not touch one another
  - Don't put small items (e.g. lids) in the baskets for the dishes, but in the cutlery basket, so that they can't fall through the holes.

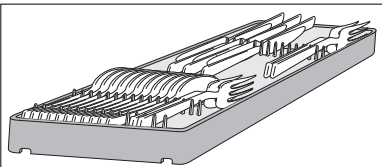
## Loading cutlery



**Warning:** Sharp knives and other items of cutlery with sharp edges must be laid in the cutlery rack or in the upper basket because of the risk of injury.

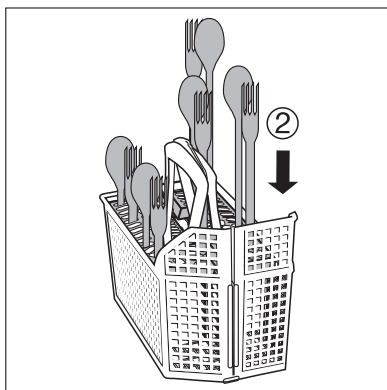
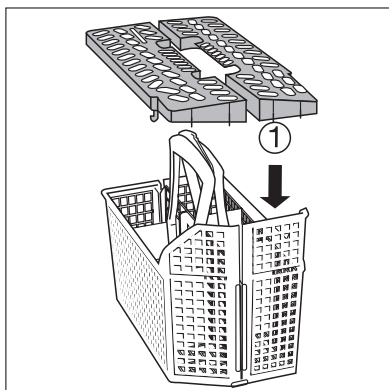
Place knives, small spoons and small forks in the cutlery tray which is in the upper basket.

Place forks and spoons that do not fit in the cutlery tray in the cutlery basket.



To ensure that all items of cutlery in the cutlery basket can be reached by the water, you should:

1. Place the grid insert on the cutlery basket
2. Place forks and spoons in the cutlery basket's grid insert with their handles pointing downwards.

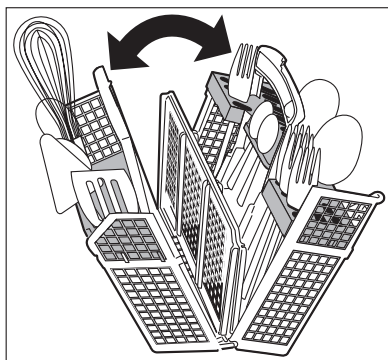


For larger utensils, such as whisks, leave off one half of the cutlery grid.

The cutlery basket can be opened out.

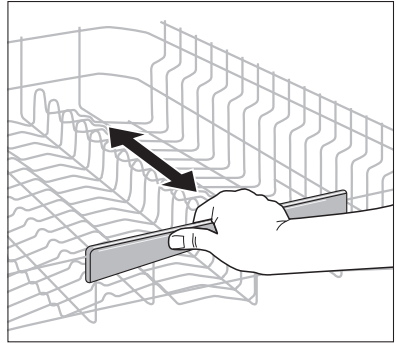
Always make sure that you put your hand around both parts of the two-part handle when removing it from the dishwasher.

1. Place the cutlery basket on a table or work surface.
2. Open out the two-part handle.
3. Remove cutlery.



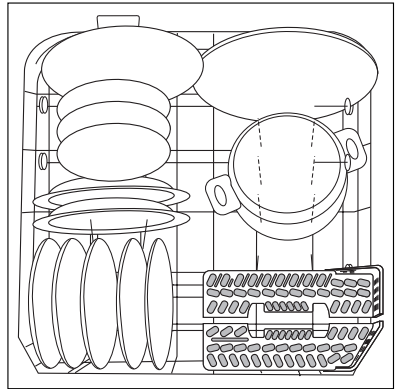
## Loading / Unloading lower basket and upper basket

To load and unload, pull out or push in the upper and lower baskets in the middle using the handle on the front of the basket.

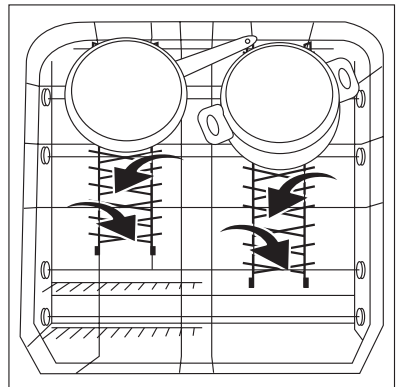


## Pots, Pans, Large Plates

Load larger and heavily soiled dishes and pans in the lower basket.  
(Max. diameter for plates 29 cm).



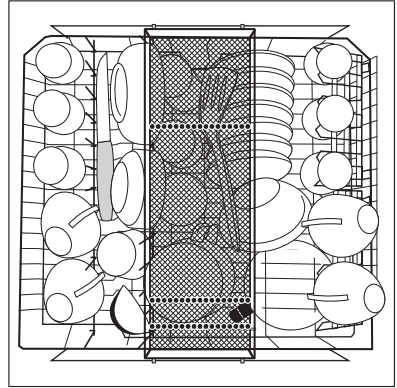
To make it easier to load larger dishes, all rear plate rests in the lower basket can be folded down.



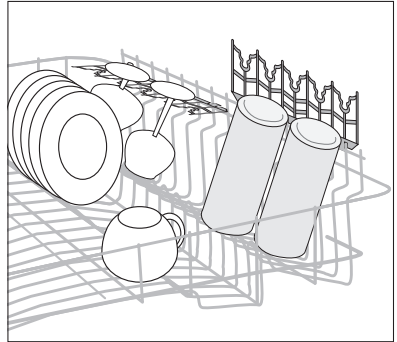
## Cups, Glasses, Coffee Service

Load smaller, fragile crockery and long, sharp cutlery in the upper basket.

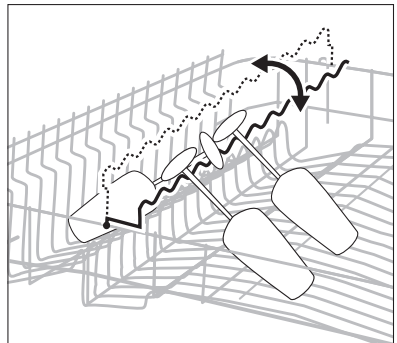
- Arrange items of crockery on and under the folding cup racks so that they are offset from each other and water can reach all items.



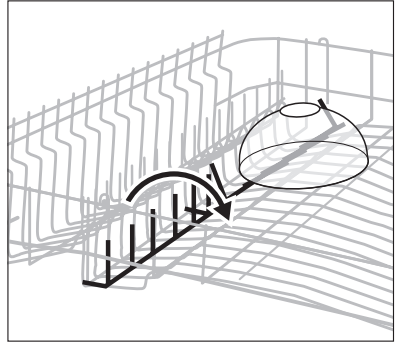
- The cup racks can be folded up out of the way for tall crockery items.
- Lay or hang wine and brandy glasses in the slots in the cup racks.



- For glasses with long stems, fold the glass rack to the right, otherwise fold it away to the left.



- The row of spikes on the left of the upper basket is also in two parts and can be folded away.  
Spikes not folded away: place glasses, mugs etc. in the upper basket.  
Spikes folded away: More room for serving dishes.



## Adjusting the Height of the Upper Basket

|                           | Maximum height of dishes in the |              |
|---------------------------|---------------------------------|--------------|
|                           | Upper basket                    | Lower basket |
| with upper basket raised  | 22 cm                           | 30 cm        |
| with upper basket lowered | 24 cm                           | 29 cm        |

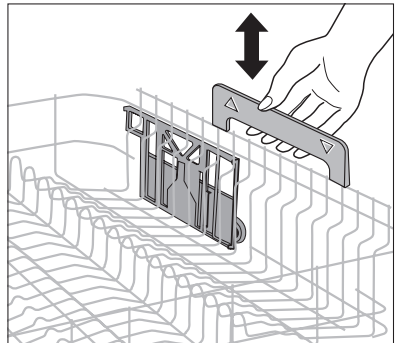


The height of the baskets can also be adjusted when they are loaded.

### Raising / Lowering the upper basket

1. Pull out the upper basket completely.
2. Holding the upper basket by the handle, raise it as far as it will go and then lower it vertically.

The upper basket will latch into the lower or the upper position.



## Adding Detergent

Detergents remove the dirt from dishes and cutlery.

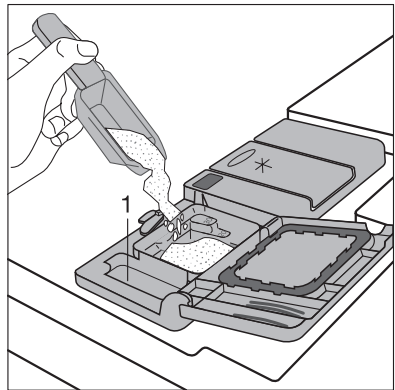
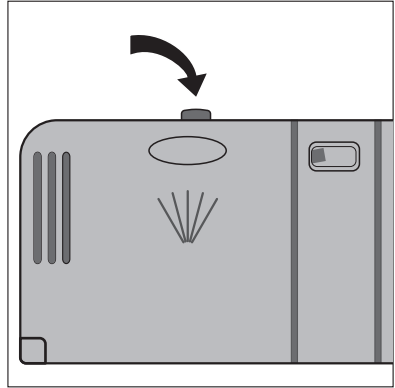
The detergent must be added before the cycle starts.



Only use detergent intended for domestic dishwashers.

The detergent compartment is located on the inside of the door.

1. If the lid is closed:  
Press the release button.  
The lid will spring open.
  
2. Place the detergent in the detergent dispenser. The markings indicate the dosing levels for powder detergents: "20/30" corresponds to approx. 20/30 ml of detergent. Follow the manufacturer's instructions with regard to dosing and storage.
  
3. Close the lid and press until it locks into place.



In the case of very heavily soiled dishes, fill the adjoining compartment (1) with additional detergent. This detergent comes into use during the pre-wash cycle.

## Concentrated detergents

Today's detergents for dishwashers are almost exclusively low-alkaline concentrated detergents with natural enzymes in tablet or powder form.



Using 50°C dishwashing cycles in conjunction with these concentrated detergents reduces pollution and is good for your dishes, as these dishwashing cycles are specially matched to the dirt-dissolving properties of the enzymes in concentrated detergents. It is for this reason that using 50 °C dishwashing cycles in conjunction with concentrated detergents can achieve the same cleaning results that can otherwise only be achieved using 65 °C cycles.

## Detergent tablets



**Detergent tablets** from different manufacturers dissolve at different rates. For this reason, some detergent tablets do not attain their full cleaning power during short cycles. Therefore please use dishwashing cycles with pre-wash when using detergent tablets.

## Using 3 in 1 detergents

These products are detergents with a combined cleaning, rinsing and salt function.

When the 3 in 1 function is activated,

- the addition of special salt and rinse aid from the respective dispenser is prevented.
- If the salt and rinse aid dispensers are empty, this is not indicated.
- The dishwashing cycles can be up to 30 minutes longer.



If you want to use 3 in 1 detergents, check whether these detergents are suitable for your water hardness. (Follow manufacturer's instructions!)

If your water hardness is higher than that recommended by the manufacturer but you would nevertheless like to use 3 in 1 detergent, proceed as follows:

- With the 3 in 1 function selected, set the water softener one hardness setting lower than when rinsing without 3 in 1 detergent.
- Fill up the dispenser (if this is empty) with special salt.

The dishwasher remembers the two different settings of the degree of hardness for rinsing with and without 3 in 1 function.

### **If you want to use 3 in 1 products**

1. Press the ON/OFF button.
2. Go to the 3 IN 1 option.
3. Set the value to ON (see section "Adjusting an option/setting" **3in1** symbol lights up in the symbol line.

Before the start of the dishwashing cycle put 3 in 1 detergent in the detergent dispenser.



As the rinse aid inflow is automatically switched off when the 3 in 1 function is activated, it may come about because of the different quality standards in the 3 in 1 detergent, that the dishes do not dry sufficiently.

If this happens, proceed as follows (see section "Adding rinse aid"):

- Fill up the dispenser (if this is empty) with rinse aid.
- Set rinse aid dosage to "2" mechanically.
- Activate rinse aid inflow.

### **If you do not want to use 3 in 1 products any more**

If you want to stop using 3 in 1 products, please do the following:

- Deactivate the 3 in 1 function.
- Fill up the dispensers for salt and rinse aid again.
- Switch the water softener to the highest setting and perform up to three normal cycles without loading any dishes.
- Then set the water softener to the water hardness in your area.

### **If you want to use 4 in 1 products**

When using "4 in 1" detergents that integrate also anti- glass corrosion agent into "3 in 1" formula, please follow the same indication as given for "3 in 1" detergents.



## Selecting the dishwashing cycle (Cycle Table)

| Dishwashing cycle                       | Suitable for:   | Type of soiling   | Programme sequence |           |                    |             |        | Consumption-values <sup>1)</sup> |              |                |
|---|---|---|--------------------|-----------|--------------------|-------------|--------|----------------------------------|--------------|----------------|
|   |   |   | Pre-wash           | Main wash | Intermediate rinse | Final rinse | Drying | Length (minutes)                 | Energy (kWh) | Water (litres) |
| <b>AUTOMATIC (50°-65°)<sup>2)</sup></b> | Dinner service and cookware                                 | normally soiled, dried-on food remains  | •                  | •         | 1 to 2x            | •           | •      | 90 - 110                         | 1,0 - 1,5    | 13 - 25        |
| <b>30 MINUTES (60°)<sup>3)</sup></b>    | Dishes, excluding saucepans                                 | just used, lightly to normally soiled   | -                  | •         | -                  | •           | -      | 30                               | 0,8          | 9              |
| <b>70° INTENSIVE<sup>4)</sup></b>       | Dinner service and cookware                                 | heavily soiled, dried-on food remains, in particular protein and starch         | •                  | •         | 2x                 | •           | •      | 120 - 130                        | 1,8 - 2,0    | 23 - 25        |
| <b>65° NORMAL</b>                       | Dinner service and cookware                                 | normally soiled dried-on food remains   | •                  | •         | •                  | •           | •      | 90 - 100                         | 1,2 - 1,4    | 18 - 20        |
| <b>ENERGY (50°)<sup>5)</sup></b>        | Dinner service and cookware, temperature-sensitive crockery | normally soiled   | •                  | •         | •                  | •           | •      | 130 - 160                        | 0,95 - 1,05  | 12 - 14        |
| <b>50° NORMAL</b>                       | Dinner service and cookware                                 | normally soiled   | •                  | •         | •                  | •           | •      | 85 - 95                          | 1,1 - 1,2    | 15 - 17        |
| <b>45° GLASS</b>                        | Dessert dishes and coffee service, delicate glassware       | lightly soiled  | -                  | •         | 2x                 | •           | •      | 73                               | 0,9          | 15             |
| <b>PREWASH (cold)<sup>6)</sup></b>      | All types of dishes   | Used dishes that are being stored in the dishwasher and are to be washed later. | •                  | -         | -                  | -           | -      | 12                               | < 0,1        | 4              |

1) The consumption values were obtained under standardised conditions. They depend on how full the baskets for the dishes are. Variations are therefore possible in practice.

2) When using this cycle the degree of water clouding determines the amount of soiling on the dishes. The length of the cycle and water and energy consumption can vary greatly – depending upon the load and how dirty the dishes are. Depending upon the soiling, the temperature of the water will be automatically adjusted to between 50°C and 65°C.

3) When using this cycle, only load the dishwasher half full.

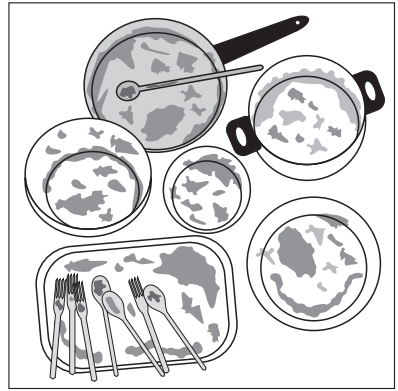
4) During the final rinse, the temperature is increased to 68° for 10 minutes to sanitize e.g. plastic chopping boards or jam jars.

5) Test programme for Test Institutes

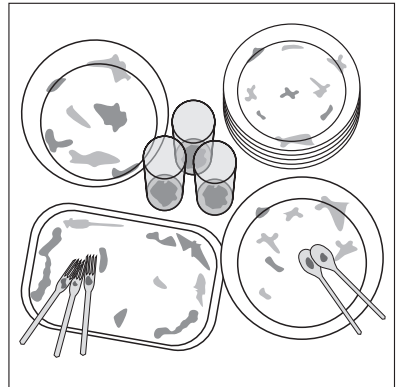
6) This cycle does not need any detergent.

## Selecting a programme

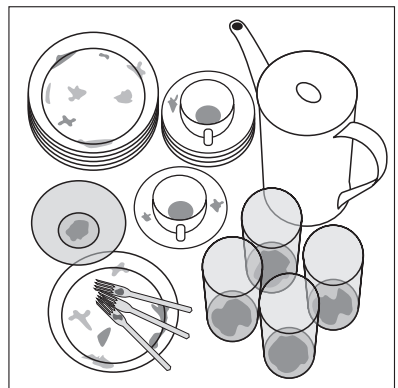
When your dishes look like this, select:  
an intensive programme.





a normal or energy-saving programme.



a short programme (e.g. 30 minute programme).



## Starting a Dishwashing Cycle

1. Check that the spray arms can turn freely.
2. Turn the water tap on fully.
3. Close the door.
4. Press the ON/OFF button.
5. Using the direction buttons ( or ) select the desired cycle.

The name of the selected dishwashing cycle will flash. To the right of the name the estimated length of the programme is displayed.

6. Press the OK/START button.

The selected dishwashing cycle will start. In the text line in the display you can see the name of the current stage in the programme. Next to this you can see the estimated time remaining in minutes.

Using the OPTION button you can briefly display the name of the dishwashing cycle in the display.



A dishwashing cycle can only be started from the Programmes menu.



During the dishwashing cycle, the remaining time shown in the display may be adjusted according to the size of the load, degree of soiling, etc.

### **If the dishwashing cycle does not start:**

If after pressing the OK/START button the cycle does not start and a message appears in the display, (REFILL RINSE AID, REFILL SALT or PLEASE CLOSE DOOR):

- Follow the instructions in the message.

After the problem has been remedied, the cycle starts automatically.



With the messages REFILL RINSE AID or REFILL SALT you can nevertheless start the cycle by pressing the OK/START button again.



While a dishwashing cycle is running, you cannot make changes to options or settings.

## Interrupting or Cancelling a dishwashing cycle

Interrupt a dishwashing cycle that is in progress if it is absolutely necessary.

### Interrupting the dishwashing programme by opening the dishwasher door



Hot steam may escape when the door is opened. There is a risk of scalding.

1. Open the door carefully. The dishwashing cycle will stop, in the display: PLEASE CLOSE DOOR
2. Close the door. The cycle will continue.

### Cancelling the dishwashing cycle

1. Press the RESET button.  
In the display: CONFIRM CANCEL ?
2. Press the OK/START button.  
The programme is cancelled. In the display: CHOOSE PROGRAMME
3. If you want to start a new dishwashing cycle, check whether there is any detergent in the dispenser.





Turning off the dishwasher will only interrupt a selected dishwashing cycle, not cancel it. The cycle will recommence after turning the dishwasher back on again.

## Setting the delay start



With the delay start you can delay the start of a dishwashing cycle for between 1 and 19 hours. First of all set the delay start and then the desired dishwashing cycle.

1. Go to the DELAY START option; see section "Adapting an option/setting".
2. Set the period by which you wish to delay the start in hours.  
In the symbol line of the display .
3. Press the OPTION button, to change to the Programmes menu.
4. Select programme and start.

First of all the pre-set time delay until the start runs down. In the display you see the time remaining until the start of the dishwashing cycle. After the time delay until the start has elapsed, the dishwashing cycle starts automatically, the symbol  goes out.

### Cancelling a delay start:

You can cancel a delay start that is counting down at any time.

1. Press the RESET button.  
In the display: CONFIRM CANCEL ?
2. Press the OK/START button.  
The delay start is cancelled. The dishwasher cycle that is set begins.

## Switching Off the dishwasher

Switch off the dishwasher if the messages PROGRAMME END and PLEASE SWITCH OFF are being displayed alternately.

With some dishwashing cycles, the drying fan continues to run even after the end of the cycle.

If the acoustic signal has been enabled, a continuous tone will sound for 15 seconds at the end of the dishwashing cycle.

If the dishwasher is not switched off, then the acoustic signal is repeated after 3 minutes and after 6 minutes.

1. Press the ON/OFF button. Display goes out.
2. Turn off the water tap.



Carefully open the door. Hot steam may escape.

- Hot dishes are sensitive to knocks. Therefore leave the dishes to cool for about 15 minutes before removing them. You also get a better drying result.
- Dishes dry more quickly if you open the door for a moment after the cycle has ended and then leave it slightly open.

## Removing the Dishes



It is normal for the inner door and the dispensers to be damp.

- Empty the lower basket first, then the upper basket. This way you avoid dripping water from the upper basket onto dishes in the lower basket.
- The dishwasher's interior light will always be on when the door of the appliance is open. Therefore, in order to save energy, you should always close the door of the dishwasher after having loaded or removed dishes.

## Care and cleaning



Do not use furniture care products or aggressive cleaners.

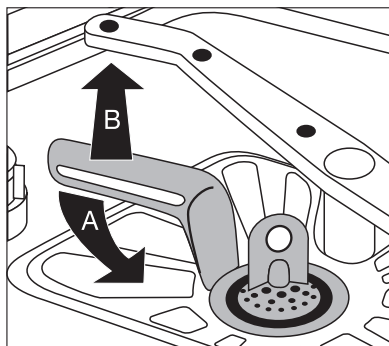
- When necessary, clean the dishwasher's controls with a soft cloth.
- Occasionally check the internal dispensers, door seal and water inlet filter (if fitted) for dirt and clean them, if necessary.

### Cleaning the filters

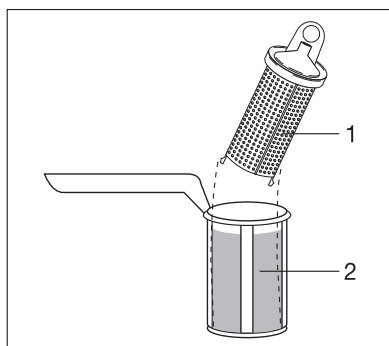


The filters must be regularly checked and cleaned. Dirty filters will spoil the wash results, and may lead to malfunction of your dishwasher.

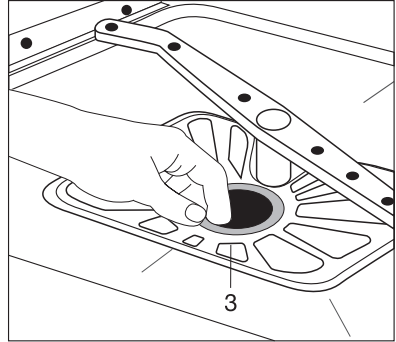
1. Open the door and remove the lower basket.
2. Turn the handle about 1/4 of a turn anticlockwise (A) and remove the filter system (B).



3. Grasp the grip hole on the fine filter (1) and remove it from the micro-filter (2).
4. Clean all filters thoroughly under running water.



5. Remove the flat filter (3) from the base of the washing compartment and clean both surfaces thoroughly.
6. Re-insert the flat filter.
7. Place the fine filter in the micro-filter and fit the two together.
8. Insert the filter system in place and lock it by turning the handle clockwise as far as it will go. Ensure that the flat filter does not protrude above the base of the washing compartment.





Under no circumstances may the dishwasher be used without its filters.

## What to do if ...

### Resetting the language

You can reset the language of the display to the factory setting at any time. As well as the language, the CONTRAST<sup>1</sup> and BRIGHTNESS settings are also reset.

1. Press the RESET button repeatedly until the display in the display no longer changes.
2. Press and hold the RESET button for six seconds.  
In the text line LANGUAGE ENGLISH appears. The word ENGLISH flashes.
3. Using the direction buttons  or  select the desired language.
4. Press the OK/START button.
5. If required, adjust the values for CONTRAST<sup>1</sup> to BRIGHTNESS; see the section "Basic operation".

### Remedying small malfunctions

If one of the following fault messages is displayed in the display during operation:

- OPEN THE TAP
- DRAIN BLOCKED

Remedy the fault, then re-start the dishwashing cycle. The cycle will continue.

In the case of other fault messages:

- Cancel the dishwashing cycle.

1. not available with all models

- Switch the appliance off and on again.
- Select dishwashing cycle.
- Press the OK/START button.

If the fault is displayed again, please contact the Service Force Centre and inform them of the fault message.

| Malfunction   | Possible cause   | Remedy  |
|---|--|---|
| <b>1 short warning tone</b> , continuously repeated, can be heard, in the display: OPEN THE TAP   | Water tap is blocked with limescale or faulty.                                 | Check the water tap and have it repaired if necessary.  |
|   | The tap is turned off.   | Turn the tap on.  |
|   | The filter (where present) in the threaded hose fitting on the tap is blocked. | Clean the filter in the threaded hose fitting.  |
|   | Filters in the base of the washing compartment are blocked.                    | Cancel the dishwashing cycle (see section: Starting a dishwashing cycle); clean filters (see section: Cleaning the filters).  |
|   | Water inlet hose has not been correctly positioned.                            | Check the position of the hose.   |
| <b>2 short warning tones</b> , continuously repeated, can be heard, in the display: DRAIN BLOCKED (There is water in the dishwasher's internal dispenser) | The sink spigot connection is blocked.   | Clean the sink spigot outlet.   |
|   | Water drain hose has not been correctly positioned.                            | Check the position of the hose.   |
| <b>3 short warning tones</b> , continuously repeated, can be heard, in the display: SERVICE CODE  | The anti-flood system has been triggered.                                      | First shut off the water tap, then switch off the appliance and contact your local Service Force Centre.  |
| <b>1 long warning tone</b> can be heard, in the display: SPRAYARM BLOCKED   | The top basket spray arm cannot rotate.  | Open the door <b>carefully</b> . Hot steam may escape when the door is opened. There is a risk of scalding. Arrange the dishes and cutlery in the baskets so that the spray arm above can rotate freely. Close the dishwasher door. |
| In the display: PLEASE CLOSE DOOR   | The door of the dishwasher is open.  | Close the dishwasher door.  |



| Malfunction  | Possible cause  | Remedy  |
|--|---|---|
| The cycle is not starting.                             | The mains plug is not plugged in.   | Plug in mains plug.   |
|  | A fuse in the house's wiring system is defective.   | Replace fuse.   |
|  | For dishwasher models with a delay start timer:<br>A start time has been selected.  | If the dishes are to be washed immediately, cancel the delay start.   |
| Rust spots are visible in the dishwashing compartment. | The dishwashing compartment is made from rust-free stainless steel. Rust spots in the washing compartment are due to rust particles from external sources (rust particles from water pipes, pans, cutlery, etc.). Remove such spots with a commercially-available cleaning product for stainless steel. | Only wash cutlery, dishes and pans that are suitable for dishwasher use.  |
| A whistling noise can be heard when washing dishes.    | The whistling is not a cause for concern.   | Decalcify appliance with commercially available agents for cleaning dishwashers.<br>If the noises can still be heard after decalcifying the machine, use a different brand of detergent for washing cutlery and dishes. |
| The dishwasher interior light does not come on.        | The mains plug is not plugged in.   | Plug in mains plug.   |
|  | The bulb in the interior light is faulty.   | Contact the Customer Care Department.   |

## If the dishwashing results are not satisfactory

### **The dishes are still dirty.**

- The wrong dishwashing cycle was selected.
- The dishes were loaded in such a way that the dishwashing water did not reach all items. The baskets for the dishes must not be overloaded. The spray arms must be free to turn.
- Filters in the floor of the dishwasher are not clean or incorrectly inserted.
- Good quality detergent was not used, or too little was used.
- In the case of scale deposits on the dishes: The special salt dispenser is empty or the water softening system has been incorrectly set.
- The drain hose is incorrectly positioned.
- If at the end of the dishwashing cycle there is still detergent left in the detergent dispenser, either the spray arm was jammed or the spray arm jets are blocked with pollutants in the dishwashing water.  
You have the option of removing the spray arms from their fixture for cleaning (see section "Care and Cleaning").

### **The dishes do not dry and are not shining.**

- Poor quality rinse aid was used.
- The rinse aid dispenser is empty.

### **There are smears, streaks, milky spots or a shiny bluish coating on glasses and dishes.**

- Lower rinse aid dosage.

### **There are dried water drops on the glasses and dishes.**

- Increase rinse aid dosage.
- The detergent may be the cause. Contact the detergent manufacturer's customer advice centre.

### **Glass corrosion**

- Contact the detergent manufacturer's customer advice centre.

## Disposal




### Packaging material

The packaging materials are environmentally friendly and can be recycled. The plastic components are identified by markings, e.g. >PE<, >PS<, etc. Please dispose of the packaging materials in the appropriate container at your local waste disposal facilities.



### Old appliance

The symbol  on the product or on its packaging indicates that this product may not be treated as household waste. Instead it shall be handed over to the applicable collection point for the recycling of electrical and electronic equipment. By ensuring this product is disposed of correctly, you will help prevent potential negative consequences for the environment and human health, which could otherwise be caused by inappropriate waste handling of this product. For more detailed information about recycling of this product, please contact your local city office, your household waste disposal service or the shop where you purchased the product.



**Warning!** When your appliance has finished its working life, remove the plug from the socket. Cut off the cable and plug and dispose of them. Break the door lock so that the door no longer shuts. This prevents children from trapping themselves inside and endangering their lives.

## Technical data

|                           |  |
|---------------------------|--|
| Capacity:                 | 12 place settings including serving dishes                                     |
| Permitted water pressure: | 0.1-1.0 MPa (= 10-100 N/cm <sup>2</sup> = 1-10 bar)                            |
| Electrical connection:    | See the rating plate on the right-hand side of the dishwasher's interior door. |
| Dimensions:               | 818 - 878 x 596 x 575 (H x W x D in mm)  |
| Max. weight:              | 45 kg  |



## Notes for Test Institutes

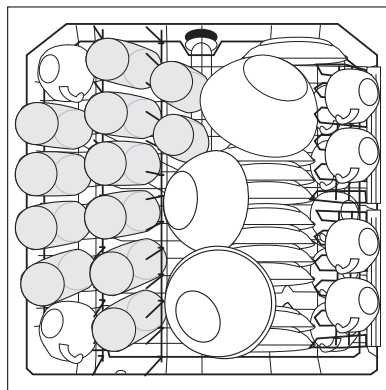
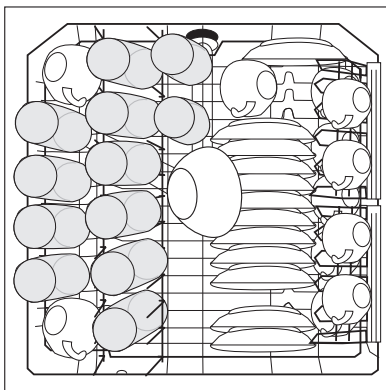
**Testing in accordance with EN 60704** must be carried out with the appliance fully loaded and using the test cycle (see "Cycle Table").

**Tests in accordance with EN 50242** must be carried out when the salt dispenser in the water softener and the rinse aid dispenser have been filled with salt and rinse aid respectively, and using the test cycle (see "Cycle Table").

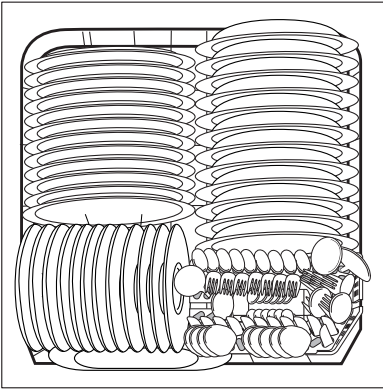
|                               | Full load:<br>12 place settings including serving dishes |
|-------------------------------|--|
| Amount of detergent required: | 5g + 25g (Type B)  |
| Rinse aid setting:            | 4 (Type III)   |

### Example loading arrangements:

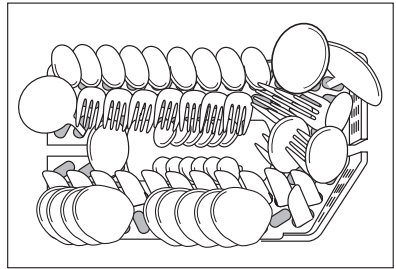
Upper basket \*)



\*) If there are cup racks in place on the lefthand side or the cutlery tray is in place, remove them.

Lower basket with cutlery basket<sup>\*)</sup>

Cutlery basket



<sup>\*)</sup> If necessary, you can remove the cup racks on the left-hand side and/or the beer glass holder.

## Installation and connection instructions



### Safety Information for the Installation

- Only transport the dishwasher in an upright position, otherwise salt water may run out.
- Before using the dishwasher for the first time, check for any damage caused in transport. Do not under any circumstances connect an appliance that is damaged. In the case of damage, please contact your supplier.
- Never use the dishwasher if the mains cable, water inlet or drain hose are damaged; or if the control panel, work top or plinth area are damaged such that the inside of the appliance is freely accessible.
- Always plug the mains plug into a correctly installed shockproof socket.
- Prior to using the appliance for the first time, ensure that the rated voltage and type of supply on the rating plate match that of the supply where the appliance is to be installed. The fuse rating is also to be found on the rating plate.
- Multi-way plugs / connectors and extension cables must not be used. This could constitute a fire hazard through overheating.
- The dishwasher's cable must only be replaced by a Service Force Engineer.
- A water inlet hose with safety valve must only be replaced by a Service Force Engineer.

# Installing the Dishwasher

- The dishwasher must be installed on a firm floor and adjusted to ensure that it is stable and level in all directions.
- To compensate for unevenness in the floor and to match the height of the appliance to that of surrounding units, extend the threaded feet using a screwdriver.
- Adjust the rear foot of the appliance using a cordless screwdriver from the front of the appliance (see installation template).
- The drain hose, inlet hose and mains cable must be laid so that they are able to move freely within the plinth area, and so that they are not kinked or crushed when the dishwasher is in position.
- The dishwasher must also be screwed tightly to the work surface or to the adjoining units. This is essential to ensure the dishwasher does not tip up.

## Dishwashers That Can be Integrated

(see installation template supplied)

Using the installation template supplied, split cupboard doors can be easily installed and firmly fitted.

# Connecting the dishwasher

## Connecting to the water supply

- The dishwasher can be connected to cold or hot water supplies up to max. 60°C.
- The dishwasher must not be connected to open hot water appliances or instantaneous water heaters.

## Permitted water pressure

|   |  |
|---|--|
| Lowest permitted water pressure:<br>0,1 MPa ( = 1 bar = 10 N/cm <sup>2</sup> )  | Consult your plumber if the water pressure is less than 0,1 MPa  |
| Highest permitted water pressure:<br>1 MPa ( = 10 bar = 100 N/cm <sup>2</sup> ) | If the water pressure is greater than 1 MPa, a pressure reduction valve must be used (available from your dealer). |

## Connecting the inlet hose



The water inlet hose must not be kinked, crushed or entangled when it is being connected.

Connect the threaded hose fitting (ISO 228-1:2000) on the water inlet hose to a tap with an external thread (3/4 inch). The inlet hose is fitted with either a plastic or a metal nut:

– **Only** tighten the nut **hand tight**.

Then do a visual check for water tightness. (Make sure that the tap is not dripping.)



So that access to the tap in the kitchen is not restricted by the use of the dishwasher, we recommend installing an additional tap, or fitting a T-branch to the existing tap.

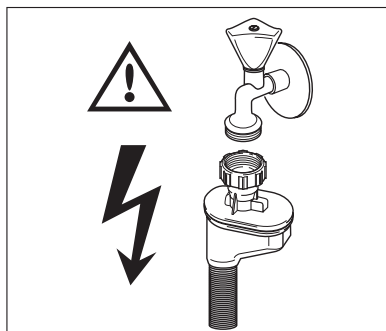


### **WARNING! – Dangerous voltage**

(This does apply to dishwashers with safety valve).

The electrical cable for the safety valve is in the double-walled water inlet hose and is live.

Therefore do not immerse the water inlet hose or the safety valve in water.





## Water drainage

### Drain hose

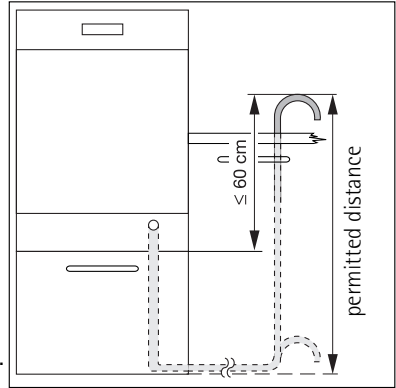


The drain hose must not be kinked, crushed or entangled.

- Connecting the drain hose:  
maximum permitted height above the bottom edge of the appliance: 60 cm.

### Extension hoses

- Extension hoses are available from your dealer or from our Customer Care Department. To ensure that the function of the appliance is not impeded, the internal diameter of extension hoses must be 19 mm.
- The total length including extension hoses must not exceed 4 metres.



### Sink outlet connection

- The outlet of the drain hose ( $\varnothing$  19 mm) fits all commonly available sink outlet types. The outer diameter of the sink outlet connection must be at least 15 mm.
- The drain hose must be fixed to the sink outlet connection using the hose clamp supplied.

### Anti-flood system

For protection from water damage, the dishwasher is equipped with a anti-flood system.

In the event of a fault, the safety valve in the water inlet hose immediately interrupts the supply of water to the appliance.

## Electrical Connection

Any electrical work required to install this appliance should be carried out by a qualified electrician or competent person.



**WARNING - This appliance must be earthed.**

The manufacturer declines any responsibility should these safety measures not be observed.

Before switching on make sure the electricity supply voltage is the same as that indicated on the appliance rating plate.

To isolate the dishwasher from the mains, remove the mains plug.

**Important:** The plug must still be accessible after the appliance has been installed.

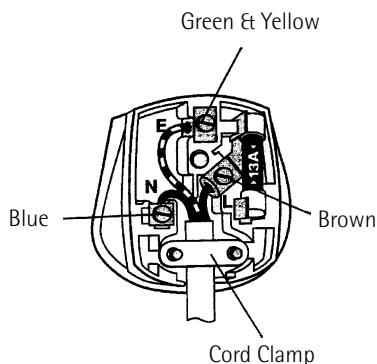
### Changing a fuse

The appliance is supplied with a 13amp plug fitted. In the event of having to change the fuse in the plug supplied, a 13amp ASTA approved (BS 1363A) fuse must be used.

Should the plug need to be replaced for any reason, proceed as described below.

The wires on the mains lead are coloured in accordance with the following code.

|                          |                |
|--------------------------|----------------|
| <b>Green and Yellow:</b> | <b>Earth</b>   |
| <b>Blue:</b>             | <b>Neutral</b> |
| <b>Brown:</b>            | <b>Live</b>    |



- The wire coloured green and yellow must be connected to the terminal marked with the letter "E" or by the earth symbol  $\oplus$  or coloured green and yellow.
- The wire coloured blue must be connected to the terminal "N" or coloured black.
- The wire coloured brown must be connected to the terminal marked "L" or coloured red.
- Upon completion there must be no cut, or stray strands of wire present and the cord clamp must be secure over the outer sheath.



**WARNING! A cut off plug inserted into a 13 amp socket is a serious safety (shock) hazard. Ensure that, if it is necessary to cut off the plug, it is disposed of safely and not retained.**

# Guarantee/Customer Service

## Great Britain

### Standard guarantee conditions

We, AEG, undertake that if within 12 months of the date of the purchase this AEG appliance or any part thereof is proved to be defective by reason only of faulty workmanship or materials, we will, at our discretion repair or replace the same FREE OF CHARGE for labour, materials or carriage on condition that:

- The appliance has been correctly installed and used only on the electricity or gas supply stated on the rating plate.
- The appliance has been used for normal domestic purposes only, and in accordance with the manufacturer's operating and maintenance instructions.
- The appliance has not been serviced, maintained, repaired, taken apart or tampered with by any person not authorised by us.
- All service work under this guarantee must be undertaken by a Service Force Centre. Any appliance or defective part replaced shall become the Company's property.
- This guarantee is in addition to your statutory and other legal rights.
- Home visits are made between 8.30am and 5.30pm Monday to Friday. Visits may be available outside these hours in which case a premium will be charged.

### Exclusions

This guarantee does not cover:

- Damage or calls resulting from transportation, improper use or neglect, the replacement of any light bulbs or removable parts of glass or plastic.
- Costs incurred for calls to put right an appliance which is improperly installed or calls to appliances outside the United Kingdom.
- Appliances found to be in use within a commercial environment, plus those which are subject to rental agreements.
- Products of AEG manufacture which are not marketed by AEG.

## European Guarantee

This appliance is guaranteed by Electrolux in each of the countries listed at the back of this user manual, for the period specified in the appliance guarantee or otherwise by law. If you move from one of these countries to another of the countries listed below the appliance guarantee will move with you subject to the following qualifications:-

- The appliance guarantee starts from the date you first purchased the appliance which will be evidenced by production of a valid purchase document issued by the seller of the appliance.
- The appliance guarantee is for the same period and to the same extent for labour and parts as exists in your new country of residence for this particular model or range of appliances.
- The appliance guarantee is personal to the original purchaser of the appliance and cannot be transferred to another user.
- The appliance is installed and used in accordance with instructions issued by Electrolux and is only used within the home, i.e. is not used for commercial purposes.
- The appliance is installed in accordance with all relevant regulations in force within your new country of residence.

The provisions of this European Guarantee do not affect any of the rights granted to you by law.

www.electrolux.com

|  |  |  |
|---|---|---|
| Albania   | +35 5 4 261 450   | Rr. Pjeter Bogdani Nr. 7 Tirane   |
| Belgique/België/<br>Belgien   | +32 2 363 04 44   | Bergensesteenweg 719, 1502 Lembeek  |
| Česká republika   | +420 2 61 12 61 12  | Budějovická 3, Praha 4, 140 21  |
| Danmark   | +45 70 11 74 00   | Sjællandsgade 2, 7000 Fredericia  |
| Deutschland   | +49 180 32 26 622   | Muggenhofer Str. 135, 90429 Nürnberg  |
| Eesti   | +37 2 66 50 030   | Mustamäe tee 24, 10621 Tallinn  |
| España  | +34 902 11 63 88  | Carretera M-300, Km. 29,900<br>Alcalá de Henares Madrid                           |
| France  | www.electrolux.fr   |   |
| Great Britain   | +44 8705 929 929  | Addington Way, Luton, Bedfordshire<br>LU4 9QQ                                     |
| Hellas  | +30 23 10 56 19 70  | 4 Limnou Str., 54627 Thessaloniki   |
| Hrvatska  | +385 1 63 23 338  | Slavonska avenija 3, 10000 Zagreb   |
| Ireland   | +353 1 40 90 753  | Long Mile Road Dublin 12  |
| Italia  | +39 (0) 434 558500  | C.so Lino Zanussi, 26 - 33080 Porcia (PN)   |
| Latvija   | +37 17 84 59 34   | Kr. Barona iela 130/2, LV-1012, Riga  |
| <b>Lietuva</b>  | <b>+370 5 2780609</b>   | <b>Verkių 29, LT-09108 Vilnius</b>  |
| Luxembourg  | +35 2 42 43 13 01   | Rue de Bitbourg, 7, L-1273 Hamm   |
| Magyarország  | +36 1 252 1773  | H-1142 Budapest XIV,<br>Erzsébet királyné útja 87                                 |
| Nederland   | +31 17 24 68 300  | Vennootsweg 1, 2404 CG -<br>Alphen aan den Rijn                                   |
| Norge   | +47 81 5 30 222   | Risløkkvn. 2 , 0508 Oslo  |
| Österreich  | +43 18 66 400   | Herziggasse 9, 1230 Wien  |
| Polska  | +48 22 43 47 300  | ul. Kolejowa 5/7, Warsaw  |
| Portugal  | +35 12 14 40 39 39  | Quinta da Fonte - Edifício Gonçalves Zarco -<br>Q 35<br>2774 - 518 Paço de Arcos  |
| Romania   | +40 21 451 20 30  | Str. Garii Progresului 2, S4, 040671 RO   |
| Schweiz/Suisse/<br>Svizzera   | +41 62 88 99 111  | Industriestrasse 10, CH-5506 Mägenwil   |
| Slovenija   | +38 61 24 25 731  | Electrolux Ljubljana, d.o.o.<br>Tržaška 132, 1000 Ljubljana                       |

|  |  |             |
|---|---|--|
| Slovensko   | +421 2 43 33 43 22  | Electrolux Slovakia s.r.o., Electrolux Domáce spotrebiče SK, Seberíniho 1, 821 03 Bratislava |
| Suomi   | +35 8 26 22 33 00   | Konepajanranta 4, 28100 Pori   |
| Sverige   | +46 (0)771 76 76 76   | Electrolux Service, S:t Göransgatan 143, S-105 45 Stockholm                                  |
| Türkiye   | +90 21 22 93 10 25  | Tarlabası caddesi no : 35 Taksim Istanbul  |
| Россия  | +7 495 9377837  | 129090 Москва, Олимпийский проспект, 16, БЦ „Олимпик“  |

## Service and Spare Parts

If the event of your appliance requiring service, or if you wish to purchase spare parts, please contact Service Force by telephoning:

**0870 5 929 929**

Your telephone call will be automatically routed to the Service Force Centre covering your post code area.

For the address of your local Service Force Centre and further information about Service Force, please visit the website at

**www.serviceforce.co.uk**

Before calling out an engineer, please ensure you have read the details under the heading „What to do if...“

When you contact the Service Force Centre you will need to give the following details:

1. Your name, address and post code.
2. Your telephone number.
3. Clear and concise details of the fault.
4. The model and serial number of the appliance (found on the rating plate)
5. The purchase date.

Please note that a valid purchase receipt or guarantee documentation is required for in-guarantee service calls.

### Customer Care

For general enquiries concerning your AEG-Electrolux appliance, or for further information on AEG-Electrolux products please contact our Customer Care Department by letter or telephone at the address below or visit our website at **www.aeg.co.uk**.

Customer Care Department  
Major Appliances  
AEG-Electrolux  
Domestic Appliances  
Addington Way  
Luton  
Bedfordshire, LU4 9QQ  
Tel: 08705 350350 (\*)

**For Customer Service in the Republic of Ireland** please contact us at the address below:  
AEG/ Electrolux Group (Ire) Ltd  
Long Mile Road/ Dublin 12  
Republic of Ireland  
Tel: +353 (0) 1 4090754  
Email: [service.eid@electrolux.ie](mailto:service.eid@electrolux.ie)

(\*) Calls may be recorded for training purposes

[www.electrolux.com](http://www.electrolux.com)

[www.aeg-electrolux.co.uk](http://www.aeg-electrolux.co.uk)

Subject to change without notice

117 994 06/0-00-070906-01