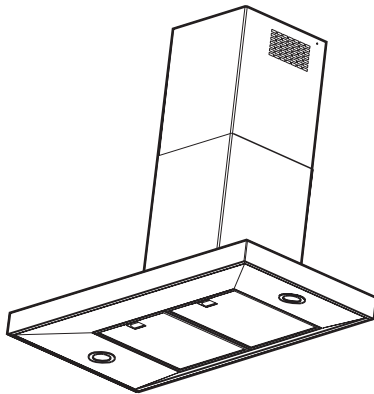


HD 8990  
HD 8960

Cooker Hood

Operating and Installation Instructions



**PERFEKT IN FORM UND FUNKTION**

# Contents

<b>Safety warnings</b> .....	<b>3</b>
For the user .....	3
For the installer .....	3
<b>Description of the Appliance</b> .....	<b>5</b>
Extraction .....	5
Re-circulation mode .....	5
<b>Control Panel</b> .....	<b>6</b>
<b>Maintenance and Care</b> .....	<b>9</b>
Cleaning the hood .....	9
Metal grease filter .....	9
Charcoal filter .....	10
Changing the light bulb .....	11
<b>What to do if</b> .....	<b>12</b>
<b>Special Accessories</b> .....	<b>12</b>
<b>Service and Spare Parts</b> .....	<b>13</b>
<b>Technical Details</b> .....	<b>14</b>
Mounting accessories included .....	14
Electrical connection for UK only .....	14
Wall unit mounting .....	15



## Safety warnings

### For the user

- The cooker hood is designed to extract unpleasant odours from the kitchen, it will not extract steam.
- Always cover lighted elements, to prevent excess heat from damaging the appliance. In the case of oil, gas and coal fired cookers it is essential to avoid open flames.
- Also, when frying, keep the deep frying pan on the cooker top/cooker under careful control.
- The hot oil in the frying pan might ignite due to overheating.
- The risk of self-ignition increases when the oil being used is dirty.
- It is extremely important to note that overheating can cause a fire.
- **Never carry out any flambé cooking under the hood.**
- **Always disconnect the unit from the power supply before carrying out any work on the hood, including replacing the light bulb** (take the cartridge fuse out of the fuse holder or switch off the automatic circuit breaker).
- **It is very important to clean the hood and replace the filter at the recommended intervals. Failure to do so could cause grease deposits to build up, resulting in a fire hazard.**
- The appliance is not intended for use by young children or infirm persons without supervision.
- Older children must be supervised if using the appliance.
- Young children should be supervised to ensure that they do not play with the appliance.
- **WARNING** - Ensure that the appliance is switched off before replacing the lamp to avoid the possibility of electric shock.

### For the installer

- When used as an extractor unit, the hood must be fitted with a 120mm diameter hose.
- **When installing the hood, make sure you respect the following minimum distance from the top edge of the cooking hob/ring surfaces:**

<b>electric cookers</b>	<b>500 mm</b>
<b>gas cookers</b>	<b>650 mm</b>
<b>coal and oil cookers</b>	<b>700 mm min.</b>

The hood can be installed above these heights but for optimum performance it should be installed at the distance quoted for the appropriate heat source.
- The national Standard on fuel-burning systems specifies a maximum depression of 0.04 mbar in such rooms.

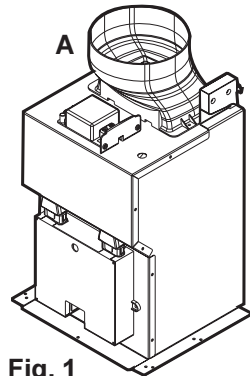
- The air outlet must not be connected to chimney flues or combustion gas ducts. The air outlet must under no circumstances be connected to ventilation ducts for rooms in which fuel-burning appliances are installed.
- The air outlet installation must comply with the regulations laid down by the relevant local authorities.
- When the unit is used in its extractor version, a sufficiently large ventilation hole must be provided, with dimensions that are approximately the same as the outlet hole.
- National and regional building regulations impose a number of restrictions on using hoods and fuel-burning appliances connected to a chimney, such as coal or oil room-heaters and gas fires, in the same room.
- Hoods can only be used safely with appliances connected to a chimney if the room and/or flat (air/environment combination) is ventilated from outside using a suitable ventilation hole approximately 500-600 cm<sup>2</sup> large to avoid the possibility of a depression being created during operation of the hood.
- If you have any doubts, contact the relevant controlling authority or building inspector's office.
- Since the rule for rooms with fuel burning appliances is "outlet hole of the same size as the ventilation hole", a hole of 500-600 cm<sup>2</sup>, which is to say a larger hole, could reduce the performance of the extractor hood.
- If the hood is used in its recirculation mode, it will operate simply and safely in the above conditions without the need for any of the aforementioned measures.
- When the hood is used in its extractor function, the following rules must be followed to obtain optimal operation:  
The ducting must be fire retardant, 120mm in diameter and the length should be no more than:  
  
3 metres with one 90 degree bend  
2 metres with two 90 degree bends  
  
Bends of more than 90 degrees will reduce the efficiency of the hood and reduce the airflow.
- Failure to observe these basic instructions will drastically reduce the performance and increase the noise levels of the extractor hood.

# Description of the Appliance

- The cooker hood is designed to extract unpleasant odours from the kitchen, it will not extract steam.
- The hood is supplied as an extractor unit and can also be used with a recirculation function by fitting one charcoal filter.
- You will need an original charcoal filter for this function (Available from your local Service Force Centre).

## Extraction

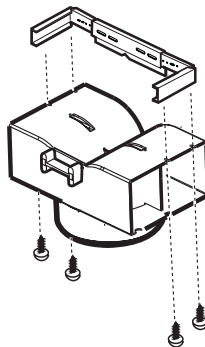
- In this version fumes are extracted to the outside via a hose connected to the coupling ring **A**. **Fig. 1**.
- In order to obtain the best performance the hose should have a diameter equal to the outlet hole.



**Fig. 1**

## Recirculation mode

- The air is filtered through a charcoal filter and returned to the kitchen.
- You will need an original charcoal filter for the Recirculation function. (See Special Accessories).
- Fix the deflector using 4 screws. **Fig. 2**.



**Fig. 2**

# Control Panel

- Best results are obtained by using a low speed for normal conditions and a high speed when odours are more concentrated.

Turn the hood on a few minutes before you start cooking.

The hood should be left on after cooking for about 15 minutes or until all the odours have disappeared. The control switches are located on the unit's front panel.

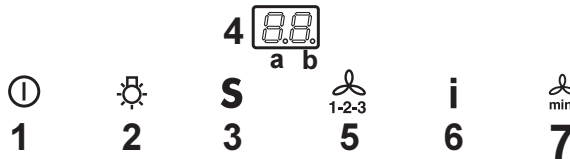


Fig. 3

- 1 - ON (stand-by - illuminated key) / OFF switch.  
Press once or more to obtain the function desired:  
**Stand-by** (dot "b" on the display is illuminated): the hood is ready to function, the safety procedure is activated (see next page – **"Safety procedure"**).  
**OFF**: all the functions are switched off except the illumination.
- 2 - Light ON/OFF
- 3 - **Manual(stand by)/Automatic (sensors - Led "S" will illuminate).**  
Press once to switch ON the **Automatic mode**, press again to switch OFF (stand-by / **Manual mode**).  
Automatic function:  
The hood switch ON (extraction) on the basis of the change in the normal **environmental conditions** that the hood notices through its **sensors** (see next page – **"Sensor test"**) .  
The leds of the display will turn on alternatively in proportion to the suction power setting.  
**Attention!** The hood is equipped with an automatic system that establishes what the normal environmental conditions are.  
In the case of abnormal operation, **calibration** can be carried out **automatically or manually** (see next page – **"Automatic calibration"** and **"Manual calibration"**).
- 4 - Display
- 5 - Start and choice of motor speed 1-2-3-1-2.....
- 6 - Intensive speed on/off. The Intensive speed runs for 5 minutes:  
If the hood is on when the Intensive speed is activated, the hood will revert to previous speed after 5 minutes.

If the hood is off when the Intensive speed is activated, the hood will automatically turn off after 5 minutes.

To interrupt the Intensive speed, press button **1** or **5**.

The letter **P** appears on the display and the remaining time (the point “**a**” is flashing), if interrupted an acoustic signal is heard.

- 7 - Self-Timer: times all the speed levels (the point “**b**” is flashing), and then the cooker hood switches off:

The self-timer is set as follows:

1 <sup>st</sup> speed level	20 minutes
2 <sup>nd</sup> speed level	15 minutes
3 <sup>rd</sup> speed level	10 minutes
P (intensive) speed level:	5 minutes

The display shows the remaining operation time, at the end of the time an acoustic signal is heard. Depressing the push-button again exits the function.

#### **Automatic Sensor calibration:**

The automatic calibration is carried on by the hood itself every 30 minutes.

When the hood is installed for the first time or the power is cut off for many hours or days, please wait 30 minutes before the use or make a manual calibration.

#### **Manual Sensor calibration**

Carry out calibration with the hob off, at normal ambient room temperature and in the absence of an appreciable amount of steam:

-press switch 3 for about 3secs , then press switch 1, the hood emits a sound signal to indicate calibration taking place.

#### **Sensors test**

When functioning in **Automatic mode**, the system continuously tests the efficiency of the **sensors**. In case of a fault the display shows “**88**”. **Contact your local Service Force Centre..**

In this situation the hood can, in any case, be used in the **manual mode**.

#### **Safety procedure**

Self-activation of **Automatic (SAFETY) mode**:

**if the sensors reveal an excessive increase in temperature**, even if the hood is in **Manual mode**, the system self selects the **Automatic mode** and the hood selects the necessary speed. The hood can be turned off by pressing push switch **1**.

Should the hood or the controls fail to operate: disconnect the power supply for at least 5 seconds.

After reconnecting the power supply wait 15 seconds and then check that the cooker hood is now operating correctly.

## Grease and charcoal filter maintenance indicator

This hood is fitted with a device that indicates when it is necessary to clean the grease filter or the charcoal filter (if the hood is used in the recirculation version with a charcoal filter).

On delivery, the hood is not supplied with a charcoal filter, so the saturation indicator will be disabled.

If the hood is to be used with a charcoal filter, the saturation indicator light must be enabled as follows:

Press button **1** to switch OFF.

Press buttons **3** and **5** simultaneously and hold them for 3 seconds. At first only the grease filter LED **F** will illuminate, but when the charcoal filter LED **C** illuminates the saturation indicator will be enabled.

To disable it: Press buttons **3** and **5** again simultaneously and hold them for 3 seconds, until the charcoal filter LED **C** goes out.

### Grease filter LED (F)

LED **F** will start to flash when it is time to clean the grease filter.

Cleaning will be necessary after 40 working hours. Always comply with the cleaning instructions for the grease filter.

### Charcoal filter LED (C)

The charcoal filter LED **C** will start to flash when the charcoal filter needs to be replaced.

This operation is necessary after approximately 160 working hours.

### Resetting the saturation indicator

After cleaning or replacing the filters, press button **1** for 3 seconds until the grease filter LED **F** or the charcoal filter LED **C** stops flashing.

**Warning!** When resetting the saturation indicator it **MUST** be done in stand-by, never disconnect the hood from the mains.

After resetting the saturation indicator switch the hood OFF.



# Maintenance and Care

- The hood must always be disconnected from the electricity supply before beginning any maintenance work.

## Cleaning the hood

- Clean the outside of the hood using a damp cloth and a mild washing up liquid solution.
- Never use corrosive, abrasive or flammable cleaning products.
- Never insert pointed objects in the motor's protective grid.
- Never use caustic detergents or abrasive brushes or powders.
- Only ever clean the switch panel and filter grill using a damp cloth and mild washing up liquid solution.
- It is extremely important to clean the unit and change the filters at the recommended intervals. Failure to do so will cause grease deposits to build up that could constitute a fire hazard.

## Metal grease filter

- The purpose of the grease filters is to absorb grease particles which form during cooking and it **must** always be used, either in the external extraction or internal recirculation function.

Attention: the metal grease filters must be removed and washed, either by hand or in the dishwasher, every four weeks.

## Removing the metal grease filter

- First, push the metal grease filter stop (f1) backwards, then extract the filter (f2), pulling downwards. Fig. 4.

### Hand washing

Soak grease filters for about one hour in hot water with a grease-loosening cleaner, then rinse off thoroughly with hot water. Repeat the process if necessary. Refit the grease filters when they are dry.

### Dishwasher

Place grease filters in the dishwasher. Select most powerful washing programme and highest temperature, at least 65°C. Repeat the process. Refit the grease filters when they are dry.

When washing the metal grease filter in the dishwasher a slight discolouration of the filter can occur, this does not have any impact on its performance.

- Clean the inner housing using a hand hot solution only (never use caustic detergents, abrasive powders or brushes).

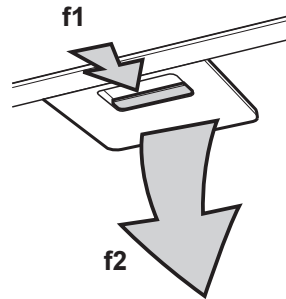


Fig. 4

## Charcoal filter

- The charcoal filter should only be used if you want to use the hood in the recirculation function.
- To do this you will need an original charcoal filter (available from your local Service Force Centre).

- **Cleaning/replacing the charcoal filter**

Unlike other charcoal filters, the LONGLIFE charcoal filter can be cleaned and reactivated. At normal use the filter should be cleaned every second month (when using the hood 2,5 hours per day, in average). The best way to clean the filter is in the dishwasher. Use normal detergent and choose the highest temperature (65° C). Wash the filter separately so that no food parts gets stuck on the filter and later causes bad odours. To reactivate the charcoal, the filter should be dried in an oven for 10 minutes with a temperature of maximum 100° C.

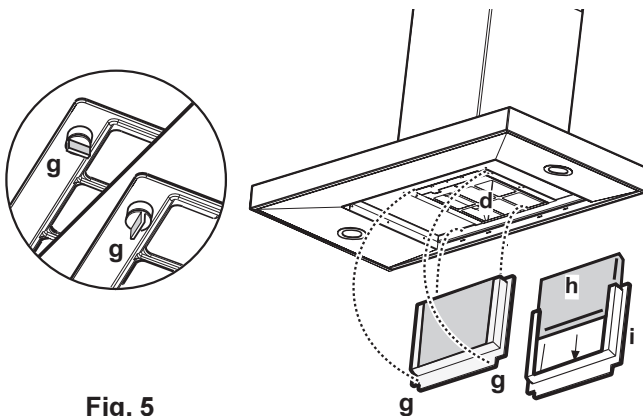
After approximately three years of use, the charcoal filter should be replaced with a new, as the odour reduction capacity will be reduced.

- **Fitting**

Remove the frame **i** which supports the filter **h** by turning 90° the two knobs **g**. Insert the charcoal filter inside the frame and put all parts back in their place.

**Fig. 5.**

- **To remove** proceed in the reverse order.
- Always specify the hood model code number and serial number when ordering replacement filters. This information is shown on the registration plate located on the inside of the unit.
- The charcoal filter can be ordered from your local Service Force Centre.



**Fig. 5**

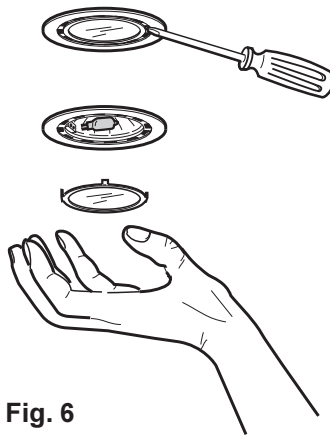


## Warning

- Failure to observe the instructions on cleaning the unit and changing the filters will cause a fire hazard. You are therefore strongly recommended to follow these instructions.
- The manufacturer declines all responsibility for any damage to the motor or any fire damage linked to inappropriate maintenance or failure to observe the above safety recommendations.

## Changing the light bulb

- Disconnect the cooker hood from the mains supply.
- Remove the lamp cover carefully, use a screw driver as a lever. **Fig. 6.**
- Replace the old bulb with a new one of the same type.
- Refit the lamp cover.
- If the light does not come on, make sure the bulb has been inserted in correctly before contacting your local Service Force Centre.



**Fig. 6**

## What to do if

If your appliance fails to work properly please carry out the following checks.

Symptom	Solution
The cooker hood will not start...	Check that: The hood is connected to the electricity supply. Check that a fan speed has been selected
The cooker hood is not working effectively..	Check that: The fan speed is set high enough for the task. The grease filters are clean. The kitchen is adequately vented to allow the entry of fresh air. If set up for recirculation, check that the charcoal filter is still effective. If set up for extraction, check that the ducting and outlets are not blocked.
The cooker hood has switched off during operation...	The safety cut-out device has been tripped. Turn off the hob and then wait for the device to reset. If the hood has been installed below the heights indicated in the installation instructions the motor will cut-out frequently which will damage the hood.

If after all these checks, the problem persists, contact your local Service Force Centre, quoting the model and serial number.

Please note that it will be necessary to provide proof of purchase for any in-guarantee service calls.

In-guarantee customers should ensure that the above checks have been made as the engineer will make a charge if the fault is not a mechanical or electrical breakdown.

## Special Accessories

Charcoal filter Type 20

---

## Service and Spare Parts

In the event of your appliance requiring service, or if you wish to purchase spare parts, contact your local Service Force Centre by telephoning: **08705 929 929**

Your call will be automatically routed to the Service Centre covering your post code area. For the address of your local Service Force Centre and further information about Service Force, please visit the website at [www.serviceforce.co.uk](http://www.serviceforce.co.uk)

Please ensure that you have read the section „What to do if...“ as the engineer will make a charge if the fault is not a mechanical or electrical breakdown even the appliance is under warranty. **Please note that proof of purchase is required for in-guarantee service calls.**

### Help us to help you

Please determine your type of enquiry before writing or telephoning.

When you contact us we need to know:

- Your name
- Address and post code
- Telephone number
- Clear and concise details of the fault
- Name and model of the appliance\*
- E number\*
- Serial number\*

\* This information can be found on the rating plate, which can be seen when the grease filters are removed.

If you require Customer Service in the Republic of Ireland please contact us at the address below:

AEG  
Electrolux Group (Ire) Ltd  
Long Mile Road  
Dublin 12  
Republic of Ireland

Tel: + 353 (0) 1 4090751

Email: [service.eid@electrolux.ie](mailto:service.eid@electrolux.ie)

## CUSTOMER CARE DEPARTMENT

For general enquiries concerning your AEG appliance or for further information on AEG products, please contact our Customer Care Department by letter or telephone at the address below or visit our website at [www.aeg.co.uk](http://www.aeg.co.uk)

Customer Care Department  
AEG  
55-77 High Street  
Slough, Berkshire  
SL1 1DZ  
08705 950950 (\*)

\* calls to this number may be recorded for training purposes.

# Technical Details

<b>Model</b>	<b>HD 8990</b>	<b>HD 8960</b>
<b>Dimensions (in cm):</b>		
Height	72-114	72-114
Width	90	60
Depth	45	45
<b>Maximum absorbed power:</b>	<b>215 W</b>	<b>215 W</b>
Motor absorption:	175 W	175 W
Lighting:	2 x 20 W	2 x 20 W
<b>Length of the cable:</b>	150 cm	150 cm

## Mounting accessories included

- 1 allen spanner (for TORX screws).
- 1 support bracket
- 6 wood-screws 5 x 45 mm (for wall mounting)
- 6 wall plugs Ø 8 mm (for brick walls only)
- 2 metal screws 2,9 x 6,5 (to fix the chimney)
- 4 metal screws 3,5 x 9,5 (to fix the deflector)
- 4 metal screws 4 x 8 (to assembly the chimney support)
- 1 deflector , ,
- 1 chimney support (3 pieces )


## Electrical connection for UK only

### Safety warnings for the electrician

Connect the hood to the mains supply via a double pole switch which has 3 mm minimum separation between the contacts.

The switch must be accessible at all times.

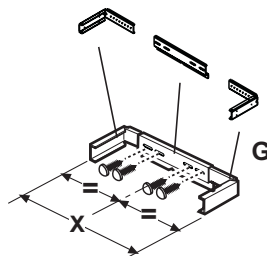
The following is valid in the United Kingdom only:

- the wire which is coloured green and yellow must be connected to the terminal which is marked with the letter E or by the earth symbol (  ), or coloured green or green and yellow;
- the wire which is coloured blue must be connected to the terminal which is marked with the letter N or coloured black, -
- the wire which is coloured brown must be connected to the terminal which is marked with the letter L or coloured red.

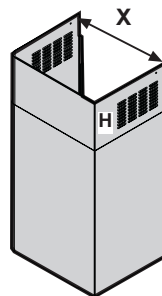
## Wall unit mounting - Fig. 7-8

- **Assembling the chimney flue support/ bracket:**

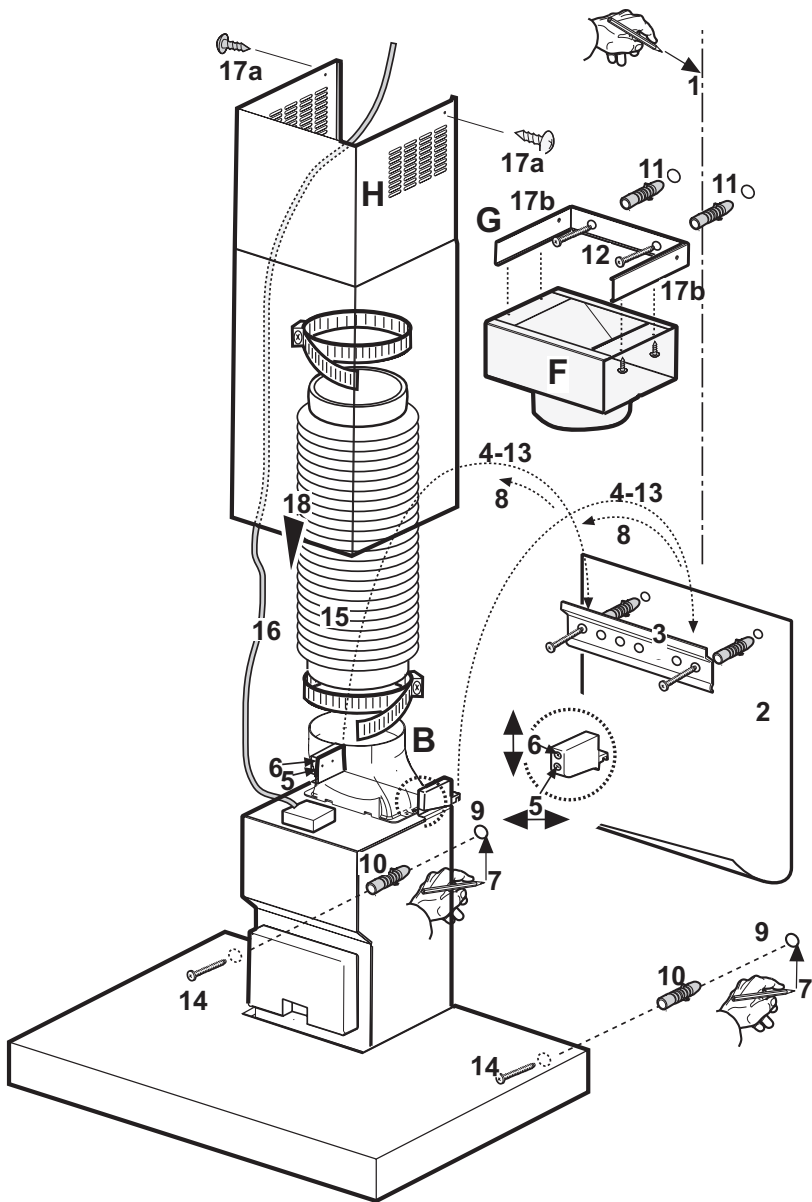
The three parts should be fixed with 4 screws, the support extension is adjustable and should correspond to the internal width of the telescopic chimney flue. **Fig. 7.**



- Mark the wall with a centre line, this will aid mounting procedure **(1)**, position the template so that the mid line printed on the template matches with the centre line previously drawn, the lower side of the template corresponds to the lower side of the hood once mounted **(2)**.
- Drill two holes  $\varnothing$  8mm and fix the support bracket with two wall plugs and screws **(3)**. The wall plugs, if supplied, are for brick or solid block fixings only, excluding thermal blocks and similar. For mounting on any surface other than brick, the correct fixings must be used.
- Hang the hood **(4)** and adjust its position **(5-6)**.
- From the inside of the hood mark two points for definitive fixing **(7)**.
- Remove the hood **(8)** and drill two holes  $\varnothing$  8mm **(9)**, fit two wall plugs **(10)**.
- Drill two holes  $\varnothing$  8mm on the upper side close to the ceiling, fit two wall plugs **(11)** (In case the hood is to be used in **recirculation mode**, mount the deflector **F** on the chimney support with four screws 2,9x6,5 and fix the chimney support **G** with two screws **(12)**).
- Hang the hood again **(13)** and fix it definitively with two screws **(14)**.
- Fit an exhausting pipe **(15)** to connect the outlet hole **A** of the hood to the outside (Extractor hood) or to the deflector **F** (recirculation mode).
- Make electrical connection **(16)**.
- Fix the chimney first up **(17a)** to the chimney support **(17b)**, then slide the lower section of the chimney down into the proper housing on top of the hood **(18)**.



**Fig. 7**



**Fig. 8**











**From the Electrolux Group. The world's No.1 choice.**

*The Electrolux Group is the world's largest producer of powered appliances for kitchen, cleaning and outdoor use. More than 55 million Electrolux Group products (such as refrigerators, cookers, washing machines, vacuum cleaners, chain saws and lawn mowers) are sold each year to a value of approx. USD 14 billion in more than 150 countries around the world.*

**AEG**  
**55-77 High Street**  
**SLOUGH**  
**Berks**  
**SL1 1DZ**  
**<http://www.aeg.co.uk>**