

ÖKO_LAVAMAT 6950 sensortronic

The Environment-Friendly Washing Machine

Operating Instructions

Congratulations

You are the owner of a high quality and environment-friendlier ÖKO-LAVAMAT washing machine from AEG.

From now on washing and caring for your clothes should be easier for you, not simply because it is easy to use, but also because it has "intrinsic features and qualities" which make the task easier. ÖKO-LAVAMAT washing machines are economical in terms of energy, water and detergent consumption, they are also extremely quiet in operation, easy to use and simple to care for.

Please read these instructions prior to using the appliance and retain them for future reference.



Contents

Safety instructions	
Before first use	4
For the user	4/5
Important notes	5
The ÖKO system	6/7
Out of concern for the environment . . .	
ÖKO tips for economical washing	8
The economy programmes	8
Appliance description	
Features	9-11
Brief instructions on machine washing	12
Before starting to wash	
Sorting your laundry	13
Pretreating your laundry	14
Care needed for certain fabrics	14
Loading the laundry	
Recommended wash loads	15
Open loading door	16
Loading laundry	16
Close loading door	16
Detergents	
Select detergent	17
Amount of detergent	17
Adding detergent	18
Selecting the wash programme	
Programme selector/programme cycle indicator/	19
The function of the option buttons	20-22
Programme tables	24/25
Consumption values	26
Programme end	27
Additional rinse	27
Special accessories	28
Cleaning, maintenance, care	29/30
If you think your washing machine is not working properly . . .	31-35
Customer service	36/37
Technical data	38

Safety instructions

Before first use . . .

- Please note the installation and connection instructions.
- Please ensure you have removed all the transport packing. Unless removed, transport packing will cause damage to the appliance and adjacent furniture during spinning.
- You should run an initial wash cycle without laundry to remove residues of factory-applied grease from the drum and tub. Programme: 60°C cotton programme with half a measure of detergent.

You may find small water residues in the tub, these are due to the thorough testing which your machine was subjected to in the factory.

Safety instructions for the user

AEG electrical appliances conform to the recognised safety regulations governing electrical domestic appliances. As manufacturers, we nonetheless feel obliged to familiarise you and any other persons using the machine with the following instructions:

- Please make sure before using your machine for the first time that the mains voltage and supply indicated on the rating plate agree with the mains voltage where the machine is to be used. The fuse required is indicated on the rating plate.
- Before cleaning, care and maintenance work, make sure that the appliance is switched off. We advise for safety reasons that you pull the mains plug out of the socket, switch off at the power point or completely remove the fuse in the fuse box servicing this circuit. (See installation and connection instructions.)
- Never direct a water jet onto the outer casing!
- Never use the supply lead to pull the mains plug out of the socket!
- Never operate the machine if:
 - the mains supply lead is damaged, or
 - the appliance shows visible damage to the control panel, worktop, or plinth.
- **Repairs to electrical appliances must only be performed by a trained electrician. Improper repairs may place the user at serious risk.**

If any other maintenance needs to be carried out, contact our service centre or AEG authorised service agents. Only original AEG spare parts fulfill all requirements!

- If you install the machine under a worktop in your kitchen or utility room, i.e. the worktop has been removed, and an earthed cover plate must be fitted as protection according to the installation and connection instructions. (See special accessories.)
- Children may not recognise the dangers of improper use of electrical appliances. Therefore, please ensure proper supervision when the machine is in use.

- When the day finally comes to withdraw the machine from service and to replace it with another machine, please make sure that you inactivate the door lock and cut the electrical supply lead, disposing of lead and plug safely. This will prevent children from locking themselves in, thus endangering their lives. Ensure safe disposal of the appliance.
 - If the machine is incorrectly operated or used for any purpose other than that for which it is intended, AEG cannot assume liability for any possible damage.
 - Do not climb on the appliance.
 - Keep small children from climbing into the machine to play hide and seek.
 - Do not reach into the moving drum.
 - When you wash with high temperatures, the glass of the loading door will become hot. Do not touch!
 - If the appliance is opened by force or through the emergency drain during operation, very hot water can result in scalding.
 - In case of faults, switch the appliance off, remove the plug from the socket and turn the water supply to the machine off.
-
- Please keep the packaging away from children. The foil represents a particular danger. The packaging material meets ecological requirements and can be easily disposed of. You are advised to do this as quickly as possible.
 - If the machine is not permanently connected: hook the drain hose securely over the edge of the sink using the hose holder provided. (See section on "Water drainage" in the installation and connection instructions.)
 - If your laundry has been pre-cleaned with flammable solvents, these solvents must have fully evaporated before placing the laundry in the machine.
 - Never use the machine for chemical cleaning!
 - Dyes/dye removal agents may only be used if the manufacturer of these products expressly allows them to be used in automatic washing machines. Please see their instructions for use. No liability can be assumed for any consequential damage.
 - When cleaning the stainless steel drum, never use any iron-containing scouring agents or steel wool!
Keep furniture polishes or abrasive cleaners away from the control panel and the controls.
Only use tap water. Never use any other liquids. You may use rainwater only if it is completely clean, otherwise operation of the electrical solenoid valves could be impaired.

Important notes

The ÖKO System



Your new ÖKO-LAVAMAT meets all laundry care requirements and allows individual and versatile programme selection.

It is highly economical in water, energy and detergent consumption, which not only contributes to the protection of our environment, but also save you money.

The Sensor-tronic System

This rinse-spin development reduces sudsing in the cotton/linen programmes during the intermediate spinning cycles. Each spin cycle is started at a slow spin speed during which the **suds are monitored**. The process is fully automatic and can be recognised by the frequent change in the spin speeds. The benefit to you is an optimum rinsing result while saving considerable amounts of water. In case too much detergent has been used, the machine automatically introduces an additional rinse (see programme sequence indicator), which increases the overall water consumption somewhat.

The ÖKO Lock

The ÖKO lock ensures 100% effective detergent utilisation. The ÖKO valve closes off the wash tub from the drainage system during all wash programmes. This not only reinforces the cleaning effect but also saves detergent – a saving of 20% in comparison to machines without such a device.

The Stream Clean

The special AEG wash paddles carefully scoop up the wash solution, and on reaching the top of the drum, gently spray streams of water through your wash load. This system ensures that your laundry is at all times soaked in the wash solution.

The Automatic Flowrate Feature

The automatic flowrate feature automatically adjusts the water consumption to the wash load and fabric type concerned. By additionally pressing the ½ load button for small wash loads, you can save even more water.

The Wool Cradle

The wool cradle takes special care of your woollens: with a very gentle washing action, these especially sensitive garments are gently "rocked" to and fro in the drum.

The packaging material meets ecological requirements and can be easily disposed of or can be burned safely in the municipal incinerators.

To the materials: the plastics can be recycled and are marked as follows:

> **PE** < for Polyethylene, e.g. the outer wrapping and the bags inside.

> **PS** < for blown (CFC free) Polystyrene, e.g. the fillers.

The cardboard parts have been manufactured from recycled material and should be taken for recycling again.

Information on the packaging material of the appliance

Out of concern for the environment . . .

ÖKO Tips for Economic Washing

These hints are intended to help you act in an environmentally conscious manner.

- For normally soiled laundry, the programmes are intended for use without prewash. Compared to a programme with prewash, you save detergent and water.
- It is more economical to wash full loads. If you find it necessary to wash small loads, you should use the "HALF LOAD" button. Add only $\frac{2}{3}$ to $\frac{1}{2}$ of the amount of detergent for a full load. This will result in consumption of less water, energy and detergent.
- For light to normally soiled laundry, it is often sufficient to use the "ENERGY SAVING" – programme, ie at a lower temperature for a longer time.
- With suitable pretreatment, stains and limited soiling can be removed. This saves a programme being used for heavily soiled laundry.
- Dose your detergent exactly as instructed by the detergent manufacturer, bearing in mind that because of the ÖKO lock you can use 20% less. Overdosage wastes money and burdens the environment. You should also note the instructions for lightly soiled laundry.
- Detergent savings and care for the environment can also be achieved by dosing the detergent as for soft water although you have medium to high water hardnesses, and additionally adding a water softener. This reduces the amount of "chemicals" entering our water ways.
- Use fabric softeners only where necessary, eg for synthetic or mixed fabrics to avoid static. If you use a tumble dryer, your laundry will be soft and fluffy without a fabric softener.

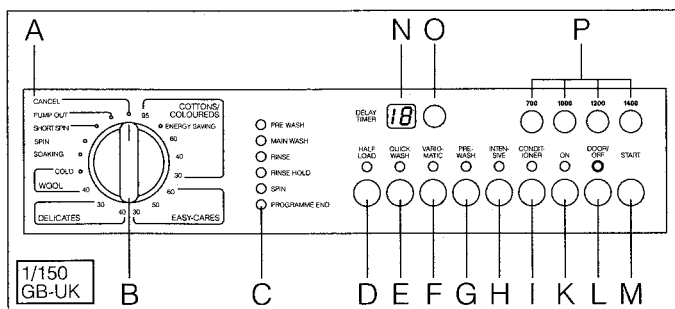
Economy Programmes

Here are the economy programmes:

HALF LOAD – Programmes for half and small wash loads

ENERGY SAVING – Programmes for fabrics where soiling does not require the full programme at a high temperature

Appliance description



A Control panel

B 17-setting programme selector

C Programme cycle indicator

D HALF LOAD button

E QUICK WASH button

F VARIOMATIC spin and rinse-hold cancel button

G PREWASH button

H INTENSIVE WASH button

I CONDITIONING RINSE button

K ON button with operating pilot lamp above

L DOOR RELEASE/OFF button

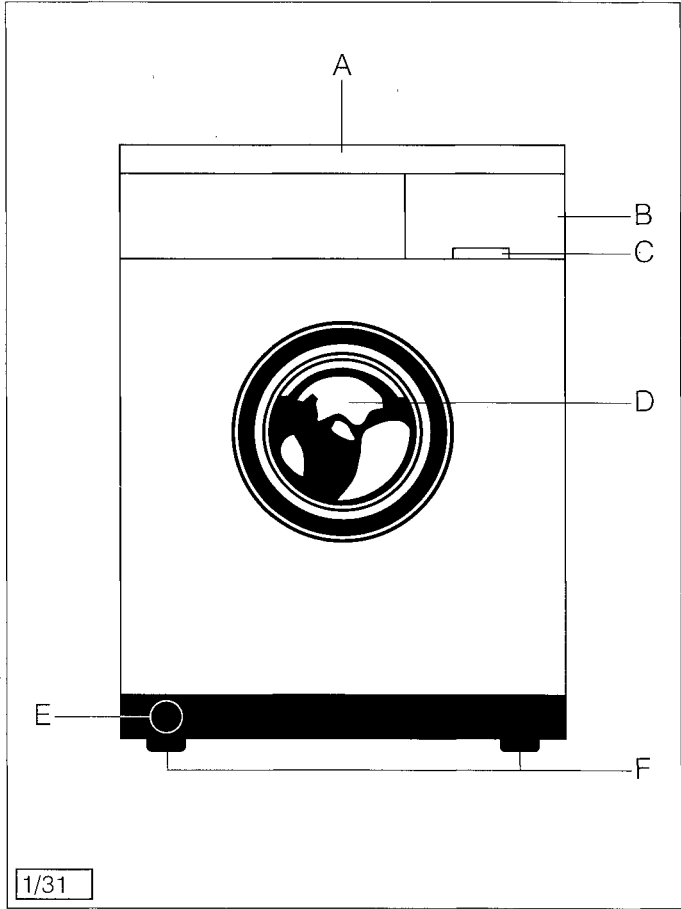
M START button

N DELAY TIMER – indicator

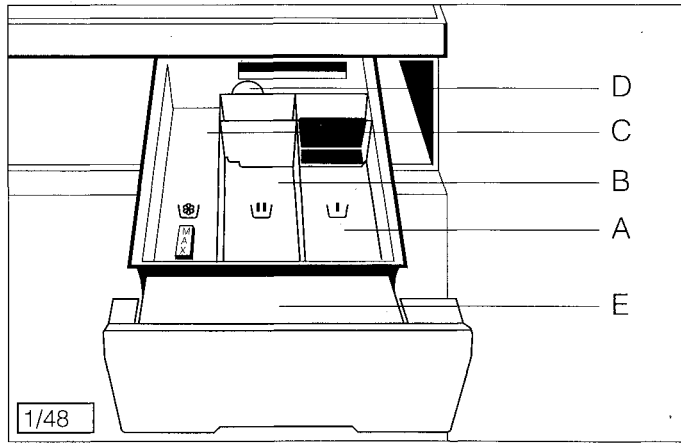
O TIME DELAY selector button

P SPIN speed selector buttons

Features



1/31



1/48

- A** Removable worktop
- B** Dispenser with compartments for detergent and fabric conditioner and with removable programme card printed on both sides
- C** Detergent dispenser handle
- D** Laundry loading door, opened via door release/OFF button (only when machine is connected to electricity)
- E** Drain pump (cover with debris trap opens for cleaning) – on LH side of pump cover, emergency drain hose and rotary release knob for emergency release of loading door
- F** 4 height-adjustable screw-in feet (front and rear)

Features

-
- A** Prewash detergent compartment
 - B** Detergent compartment for main wash
 - C** Liquid conditioner compartment (fabric softener, liquid conditioner, starch)
 - D** Siphon (must be securely inserted)
 - E** Programme card*)

The dispenser for detergent and fabric conditioner

*) You can re-order the programme card from your service centre if it ever gets lost.

Brief instructions on machine washing

Preparing the laundry

Sorting
Pretreatment
Care needed for certain fabrics

Loading the laundry

Open loading doors
Distribute laundry in the drum
Close door

Detergent dosage

Select detergent
Measure amount of detergent
Add detergent/fabric conditioner
Close dispenser

Selecting the wash programme

See programme table or programme card in dispenser
Select programme
Press option buttons
Press ON button
Select DELAY TIMER, if required
Press START button
The programme starts. The pilot lamp lights up.

Continuing the programme


On programmes with RINSE HOLD, to drain water from laundry:
Set programme selector to PUMP OUT or SPIN – see programme tables.

When the programme has finished

Press the DOOR release/OFF button until the loading door springs open; any depressed programme buttons are automatically released. The pilot lamp goes out.
Take out the laundry.

Before starting to wash

Sorting your laundry

- Check that the fabrics are machine-washable. The international care labels will give you guidance.
- Woollens labelled only with the woolmark  are **not** suitable for machine-washing. Also garments marked with the following symbols:

Hand wash



Do not wash



Sort your laundry into laundry types as follows, separating coloureds from whites.:

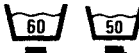
Cotton/linen – Whites



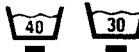
Cotton/linen – Coloureds



Easy-care fabrics



Delicates



Woollens



- Woollens must be labelled with the woolmark and additionally marked “will not felt”, “non-felting”, or “machine-washable”.
- Coloureds and whites should never be washed together, whites will turn grey.
New dark coloured laundry will often state “wash separately”. This type of garment will often have surplus colour which may be transferred to lighter fabrics during washing. Always wash such items on their own for the first few washes.
- You may also see the following labels. They are not common in the UK, but are widely used in garments manufactured in the rest of Europe.

White cotton articles with special finishes



White nylon and white polyester cotton



This label may be found in a variety of garments – the articles should be laundered on the wool programme.



Before starting to wash

Pretreating your laundry

- Wherever possible remove **stains** immediately, before they have set, with water and soap or with a special pretreatment agent (spray, liquid detergent).

Care needed for Certain Fabrics

■ Empty pockets

Please make sure that no metal objects (eg paper clips, staples, coins, safety pins, or the like) remain in the laundry.

Button up pillow cases, close zip-fasteners, hooks and eyes. Tie together loose belts and long apron strings.

Turn coloured knitted garments inside out.

- **Particularly small or sensitive garments** (eg baby socks, ladies tights, etc) should be washed in a launder net bag or pillowcase.

■ Handle curtains especially carefully

Remove rings and hooks from your curtains, to avoid damage or tearing. Synthetic curtains should be handled carefully as they snag easily. Place net curtains in a pillowcase or wash bag.

Under no circumstances can we accept liability for damage to curtains through incorrect handling.

Spin curtains only when permitted by the manufacturer.

Loading your laundry

	Full load	Small loads
Cotton/linen – Whites/coloureds normally soiled	5.0 kg	2.5 kg
heavily soiled	3.5 kg	1.8 kg
Easy-care fabrics and delicates	2.0 kg	1.0 kg
Woolens	1.0 kg	–
Short programme for whites/coloureds	2.5 kg	1.3 kg
Short programme for easy-care fabrics	2.0 kg	1.0 kg
Extra pre-wash-soak	3.5 kg	1.8 kg

Use the recommended full load wherever possible, as this is the most economical way to wash.

But do not overload!

This will adversely affect the wash result. When washing easy-care fabrics susceptible to creasing, reduce the load.

Information for Test Institutes

For tests similar to IEC 456 (new) using standard load A, the maximum load is 4.5 kg.

**Wash loads
(maximum dry
loads)**

Opening and closing the loading door
To open:

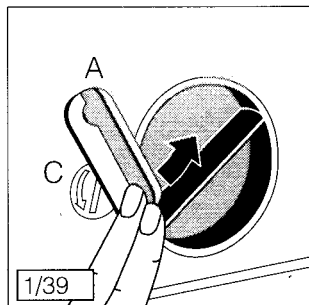
At the end of the programme press button DOOR until the door springs open.

To open the loading door in the event of a power failure

See "If you think your washing machine is not working properly ..."

To open the loading door when it is not connected

- Turn rotary control for emergency drain (A) a quarter turn **anti-clockwise** to the stop position.
- Using a coin turn disc (C) **anti-clockwise** until the loading door springs open.



- Turn rotary control for emergency drain (A) in clockwise direction.

Loading

Loosely load your unfolded laundry in to the drum, mixing small and large items as much as possible. This reinforces the washing action and promotes even distribution of the laundry during spinning.

To close:

Press the door closed so that the catch clicks into position.

Safety lock

For your safety, the loading door is locked throughout the programme cycle. It can be immediately opened once the programme has finished.

Detergents

Use only detergents that are suitable for automatic washing machines.

You will achieve the best cleaning results with minimum harm to the environment by also considering the type of laundry soiling when selecting a suitable detergent.

Machine-washable soiling is basically classified as:

- **Dirt**, e.g. dust, soot, sweat, grease, etc.
- **Stains**, e.g. tea, red wine, fruit, blood

You will find BIO and NONBIOLOGICAL detergents in powder or liquid forms. Check with the detergent manufacturers information as to which detergent suits your purposes best bearing in mind that the detergent must be a low lather one suitable for automatic washing machines! **We recommend ARIEL (in the various different forms) and Dreft automatic for woollens.**

- **Water softeners** allow the use of smaller amounts of detergents in households having medium-hard to very hard tap water.
- **Fabric softeners** prevent the static charging of synthetic fabrics and make your laundry soft to the touch. If you use a tumble dryer, your laundry will be soft and fluffy without a fabric conditioner. We recommend LENOR fabric conditioner.
- **Starches, conditioning rinses**, ensure that your laundry keeps its shape.

The amount of detergent used depends on the hardness range of your tap water. With an increasing water hardness, more detergent must be dosed to bind the lime contained in the water. You will find dosage indications for soft or hard water on the detergent pack. For lightly soiled laundry, use less detergent. Follow the detergent manufacturers instructions. If the latter gives no dosage indications for small loads, you should reduce by $\frac{1}{3}$ for half wash loads and for even smaller loads use $\frac{1}{2}$ the amount recommended for a full load. You can save detergent and prevent unnecessary amounts of detergent from entering our waterways by using a special water softener in areas with hard water.

You should dose the special softener depending on the water hardness as instructed on the softener package. In this case, you should **always dose the detergent for "soft" water** as instructed on the detergent packages.

In this case, add the detergent and softener **together** in the main wash compartment. When using programmes with prewash, add it to the respective compartments for prewash and main wash.

Selecting your detergent

Detergents


Washing aids


Amount of detergent

Dosing the detergent

The detergent dispenser has three compartments:

Compartment (right)  = washing powder for programmes **with prewash**

Compartment (centre)  = washing powder for main wash

Compartment (left)  = liquid conditioner (conditioning rinse, starch)

Please also note the following:


Dosing powders

- When adding detergent and water softener, fill **first detergent and then softener** in the same compartments.
There are now many compact and ultra detergents on the market which must be dispensed as the detergent manufacturer advises on the packaging.
- Stain salts/bleaching agents are always filled on the detergent.

Dosing liquids

- If you prefer **liquid detergents**, dose these agents as instructed by the detergent manufacturer, using the “balls” supplied or offered by the detergent manufacturer.
- When using liquid, follow the manufacturers's instructions.

Dosing fabric conditioners

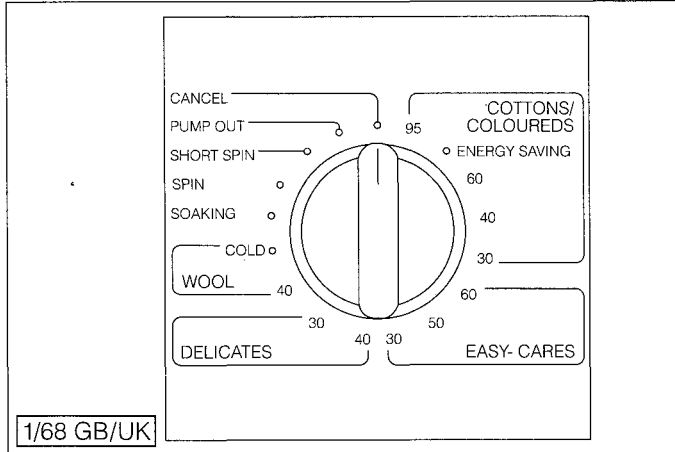
- **Do not fill above “MAX”** indicator level as otherwise the liquid may drain immediately.
- **When using thick concentrated fabric conditioner and starches**, you are recommended to mix the concentrate with water to ensure troublefree dispensing.
- If you want to use **starch powder**, dissolve according to the manufacturers's instructions and place in compartment , selecting the “Fabric conditioning – Starching” programme.

Selecting the wash programme

Select the wash programmes with the programme selector.

The programme selector has 17 settings for the main and additional programmes including a fast advance to correct wrongly made selections.

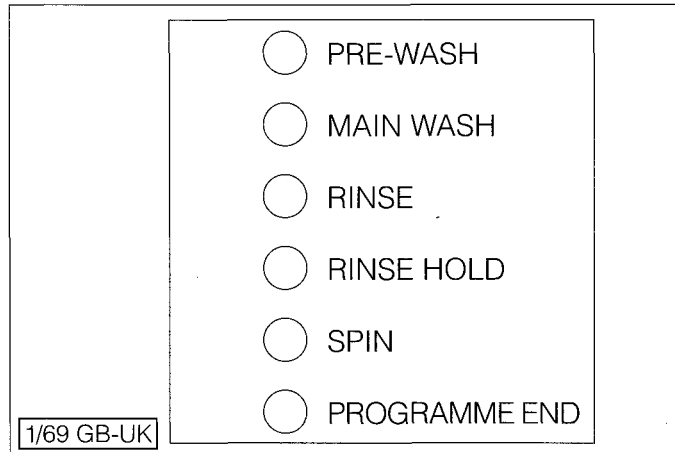
The programme selector



The programme selector can be turned to the left or right to the programme required.

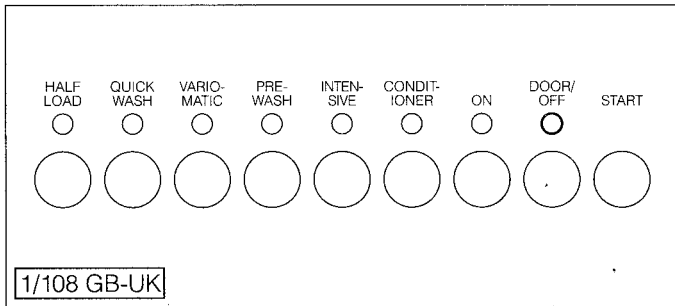
During the programme, the programme cycle indicator shows which part of the programme has been reached.

The programme cycle indicator



The button functions

By combining the main and additional programmes with the appropriate buttons, you will have a range of programmes meeting all your laundry requirements.



When the buttons are pressed, a red indicator appears in the display above.

HALF LOAD

Small loads of cottons, coloureds, easy-care fabrics and delicates can be washed economically using the HALF LOAD button.

■ The machine will use less water for washing and rinsing. This saves water and energy.

This button cannot be used for the wool programme.

QUICK WASH

When washing cotton/linens and easy-care laundry, you can select appropriate for these fabrics.

Especially suitable for lightly soiled items, e.g. sports and leisure clothing, guest towels, etc.

Effect:

■ For cotton/linens

Shortened main wash – only 2 rinse cycles – final spin.

■ For easy-care fabrics

Shortened main wash – only 2 rinse cycles – rinse-hold (unless the VARIOMATIC button has been additionally pressed).

This button can also be combined with the HALF LOAD button for small wash loads (see programme table).

This button cannot be used for the wollen programme.

You can choose a clothes caring spin for all wash programmes.
Effect:

■ **For cotton/linens**

Press this button if you want a VARIOMATIC spin instead of the normal spin. The VARIOMATIC spin is a sequence of spins with loosening of the laundry in between each spin. This reduces tangling and creasing of the laundry.

The time is prolonged by approx. 20 minutes.

■ **For easy-care fabrics/delicates**

The usual rinse-hold is cancelled, followed by a three-stage VARIOMATIC spin (**short VARIOMATIC**) up to max. 850 r.p.m.

■ **For woollens**

The usual rinse-hold is cancelled, followed by a **woollens single-stage spin sequence** up to max. 850 r.p.m.

For heavily soiled laundry you can select a wash programme which includes a prewash.

Effect:

Prior to the main wash a cold prewash loosens the soilage. This button cannot be used for the woollen programme.

Heavily soiled or stained laundry (fruit, vegetable, tea stains) can be washed in an intensive programme.

Effect:

The time of the main wash is prolonged. This button cannot be used for delicate, wool and energy saving programmes.

When using liquid treatment agents such as fabric conditioner or starch, this button must be pressed.

Effect:

To avoid staining the laundry, it is wetted first before the treatment agent is added to the machine. This will use an extra 5 l of water.

Effect:

The machine is ready to operate, the pilot lamp above the button is on.

Press until the loading door springs open.

Effect:

The pilot lamp goes out. The machine is switched off. All depressed buttons are released except the spin reduction buttons.

**VARIO-
MATIC**

PREWASH

INTENSIVE

**CONDITION-
ING
Rinse**

ON

DOOR/OFF

DELAY TIMER



The electronic delay timer allows you to preprogramme the start up to 19 hours in advance, e.g. to let the machine wash at night to make use of ECONOMY 7.

Guidelines for programme duration can be found under "Consumption Values".

Using the Delay timer:

- Select programme and buttons required
- Press button ON
- Select the hours by which you wish to delay the start. The hours are shown in the window next the the button.

You can select the **start time by:**

■ **continous holding of the button to quickly get to the max. time required or**

■ **by pressing the button each time for every hour**

Example: It is 19.00 hours and you wish the machine to start at 5 am so you need to select 10 hours.

Effect:

Your ÖKO-LAVAMAT will switch on automatically at the required time.

START

Effect:

The programme begins. The programme cycle indicator show the stage the programme has reached.

Selecting the spin speed

700100012001400



Using these buttons, you can select the appropriate spin speed for your laundry.






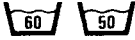









If you press none of these buttons, your laundry is automatically spun at the maximum speed.


Select maximum speed if this sequence is to be followed by drying in a tumble dryer as both time and energy will be saved.

For **easy-care fabrics and delicates**, the spin speed is **limited to max. 850 r.p.m.** You can reduce to a speed of 700 r.p.m.

Woollens are automatically subjected to a **short spin sequence.**

Programme table

Care label Laundry	Programme	Wash load	Buttons
–	Correction	–	ON/ START
 Cottons/linens	Boil wash 	up to 5 kg (3.5 kg for heavily soiled laundry)	ON/ START
	Energy saving E		
	Coloureds   		
 Cotton with special finishes, mixed cotton fabrics, i.e. polyester/ cotton, synthetics	Easy-cares 	up to 2 kg	ON/ START
	Easy-cares 		
	Easy-cares 		
 Delicates/curtains	Delicates 	up to 2 kg	ON/ START
	Delicates 		
 Woollens/mixed woollens Silk	Wool 	up to 1 kg	ON/ START
	Wool cold		
	Soaking extra prewash 	up to 3.5 kg	ON/ START
Cottons/linens	Spinning	up to 5 kg	ON/ START
Easy-cares/delicates	Short spin	up to 2 kg	ON/ START
	Pump out		

Programme cycle	Option buttons	Additional instructions																														
Quick advance through the different programme stages. In case of wrongly selected to the beginning and re-select new programme.																																
Main wash – intermediate spin – 3 rinses with intermediate spinning – final spin	<table border="1"> <tr> <td>HALF LOAD</td> <td>QUICK WASH</td> <td>VARIO-MATIC</td> <td>PRE-WASH</td> <td>INTENSIVE</td> <td>CONDITIONER</td> <td>1400</td> <td>1200</td> <td>1000</td> <td>700</td> </tr> <tr> <td>HALF LOAD</td> <td></td> <td>VARIO-MATIC</td> <td>PRE-WASH</td> <td></td> <td>CONDITIONER</td> <td>1400</td> <td>1200</td> <td>1000</td> <td>700</td> </tr> <tr> <td>HALF LOAD</td> <td>QUICK WASH</td> <td>VARIO-MATIC</td> <td>PRE-WASH</td> <td>INTENSIVE</td> <td>CONDITIONER</td> <td>1400</td> <td>1200</td> <td>1000</td> <td>700</td> </tr> </table>	HALF LOAD	QUICK WASH	VARIO-MATIC	PRE-WASH	INTENSIVE	CONDITIONER	1400	1200	1000	700	HALF LOAD		VARIO-MATIC	PRE-WASH		CONDITIONER	1400	1200	1000	700	HALF LOAD	QUICK WASH	VARIO-MATIC	PRE-WASH	INTENSIVE	CONDITIONER	1400	1200	1000	700	If you are using a main wash programme only the laundry will be thoroughly wetted for about 5 minutes before the detergent is collected from the dispenser, if you are using detergent which is suitable for dispensing via the dispenser.
HALF LOAD	QUICK WASH	VARIO-MATIC	PRE-WASH	INTENSIVE	CONDITIONER	1400	1200	1000	700																							
HALF LOAD		VARIO-MATIC	PRE-WASH		CONDITIONER	1400	1200	1000	700																							
HALF LOAD	QUICK WASH	VARIO-MATIC	PRE-WASH	INTENSIVE	CONDITIONER	1400	1200	1000	700																							
Main wash – 3 rinses – rinse-hold ¹⁾)	<table border="1"> <tr> <td>HALF LOAD</td> <td>QUICK WASH</td> <td>VARIO-MATIC</td> <td>PRE-WASH</td> <td>INTENSIVE</td> <td>CONDITIONER</td> <td></td> <td></td> <td></td> <td>700</td> </tr> </table>	HALF LOAD	QUICK WASH	VARIO-MATIC	PRE-WASH	INTENSIVE	CONDITIONER				700	The steps which you must take before each programme are given in the "Brief Instructions".																				
HALF LOAD	QUICK WASH	VARIO-MATIC	PRE-WASH	INTENSIVE	CONDITIONER				700																							
Main wash at high water level, reduced drum action – 3 rinses – rinse-hold ¹⁾)	<table border="1"> <tr> <td>HALF LOAD</td> <td>QUICK WASH</td> <td>VARIO-MATIC</td> <td>PRE-WASH</td> <td></td> <td>CONDITIONER</td> <td></td> <td></td> <td></td> <td>700</td> </tr> </table>	HALF LOAD	QUICK WASH	VARIO-MATIC	PRE-WASH		CONDITIONER				700	1) RINSE HOLD The laundry remains in the last rinse water or in the soaking solution. Unless you have																				
HALF LOAD	QUICK WASH	VARIO-MATIC	PRE-WASH		CONDITIONER				700																							
Main wash at high water level, reduced drum action ²⁾) – 3 rinses – rinse-hold ¹⁾)	<table border="1"> <tr> <td></td> <td></td> <td>VARIO-MATIC</td> <td></td> <td></td> <td>CONDITIONER</td> <td></td> <td></td> <td></td> <td>700</td> </tr> </table>			VARIO-MATIC			CONDITIONER				700	pressed the VARIOMATIC button, you must																				
		VARIO-MATIC			CONDITIONER				700																							
Extra prewash or soak programme at high water level  . The laundry can remain in the detergent solution for any length of time as it is periodically agitated for a few seconds.		pump out the water or spin your laundry. 2) The drum remains stationary up to 20 minutes.																														
Pumping out – final spin	<table border="1"> <tr> <td></td> <td></td> <td>VARIO-MATIC</td> <td></td> <td></td> <td></td> <td>1400</td> <td>1200</td> <td>1000</td> <td>700</td> </tr> </table>			VARIO-MATIC				1400	1200	1000	700																					
		VARIO-MATIC				1400	1200	1000	700																							
Pumping out – short Variomatic spin		700																														
Pumping out, e.g. after rinse-hold																																

Consumption Values
Energy, water and time for programmes
listed below (cold water connection)

Programme	Water (litres)	Energy (kWh)	Time (minutes)
Cotton/linen 95 °C, full load	58	1.8	120
Cotton/linen 95 °C, half load	43	1.4	110
Energy saving programme, full load	58	1.4	120
Cotton/linen 60 °C, full load	58	1.0	100
Cotton/linen 40 °C, short, half load	56	0.4	40
Easy-care fabrics 50 °C, 2 kg load	62	0.6	70
Easy-care fabrics 30 °C, short, 1 kg load	30	0.2	25
Delicates 40 °C, 2 kg	60	0.6	60
Wool 40 °C, 1 kg load	64	0.5	65

The above values were established with standard test loads. These values can vary up or down with normal household loads. Programmes with prewash (except for wool) will take approximately 20 minutes longer.

Programme end

As soon as the programme has ended, press the DOOR/OFF button until the loading door springs open.

Take out the laundry.

Check that the drum is completely empty, otherwise fabrics may be damaged during the next wash (e.g. shrink) or discolour other laundry.

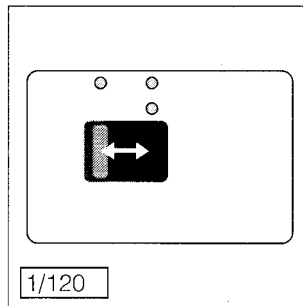
Additional rinse

Your ÖKO-LAVAMAT is designed for extremely economical water consumption under normal circumstances and operates with only 3 rinse cycles.

For cotton/linens, however, you can add a fourth rinse (for example if someone in your household has problem skin).

The water consumption increases by approx. 25% and the programme takes 5-10 minutes longer to complete. To add the extra rinse:

- Pull out the detergent dispenser until the sliding switch in the frame is accessible on the left.
- Set the sliding switch to the right (●●).



- Re-insert the dispenser.

**Open the door –
Switch off
your machine**

**Adding a
4th rinse**

**The sliding
switch**

Special accessories

Build-under kit
E-Nr.
605 898 832

Necessary should you wish to remove the existing worktop and install a free-standing automatic washing machine under a continuous worktops.

The kit contains:

- Cover plate with 2 fan discs as contact protection when the worktop is removed

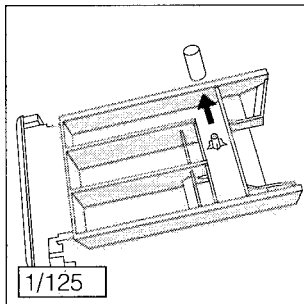
The automatic washing machine without a worktop should not be used until after installation and earthing of the cover plate as described.

- 2 sliding rails to assist insertion under worktops
- Foil protection strip for protection of the underside of worktops in the region of the control panel and detergent dispenser.

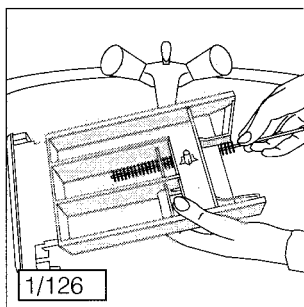
Maintenance and care

From time to time, you should clean the detergent dispenser thoroughly.

- To do this, slightly lift the dispenser and withdraw with a short sharp pull. Detach the syphon in the special conditioner compartment.



- Clean the dispenser compartments with warm water and a bottle brush.



- Clean the syphon under running water. Re-insert the latter fully and check for proper fitting!
- Also clean the roof of the detergent compartments with a brush.
- Re-insert the dispenser in the guides and push it in.
- At the end of the programme, pull the washing powder compartment out a little way so that it dries.

The laundry drum is made of stainless steel. Any objects left in the laundry and likely to rust (see the section on "Preparing the laundry") may leave rust stains on the drum. These stains can be removed with a stainless steel cleaner.

Detergent dispenser

Laundry drum

Loading door

Remove any deposits or foreign bodies from the rubber sleeve behind the loading door.

The loading door should not be closed after washing, so that the drum can dry out and the machine is thoroughly ventilated.

Descaling

If you have ensured correct detergent dosage, your machine will scarcely ever need to be descaled. If descaling should be necessary, use only branded descaling agents with corrosion protection for washing machines. Your service centre stocks suitable agents.

Control panel

The control panel and controls should be cleaned with luke-warm water only. Do not use furniture polish or abrasive cleaning agents.

Frost protection**Frost damage does not come under your guarantee!**

If your ÖKO-LAVAMAT is installed in room susceptible to frost, your machine must be subjected to emergency emptying as described in the section on "If you think your washing machine is not working properly ..." if there is any imminent risk of frost.

Also unscrew the supply hose from the water tap and allow the water to run out. Place a cloth underneath!

If you think your washing machine is not working properly ...

... the laundry loading door will not open?

- Your machine is not connected to the mains supply, or
- You have not pressed the door release button long enough.
- A programme with rinse-hold has been selected.

... owing to power failure, the loading door will not open?

- See "Opening the door in the event of a power failure" at the end of this section.

... the washing machine is not working at all?

- Your machine may not be plugged in (the power plug may not be in the plug socket).
- The START button has not been pressed.
- The loading door is not properly closed.
- Have you checked the fuses?

... no water enters?

- The water taps may not have been turned on.
- One of the filters in the infill hose is blocked.
One filter is located in the end of the hose connected to the water tap: unscrew the infill hose and clean the filter under running water.
A second filter is located in the connection between hose and machine. Unscrew the infill hose on the machine and clean the filter.

... there is a delay before the spin sequence starts?

- The electronic out of balance monitoring system has responded, owing to poor laundry distribution.
Your laundry is loosened and distributed by the tumbling action of the drum and the spin sequence restarted. This may happen several times until the imbalance is corrected and the spin sequence can finally start.

... the washing machine vibrates?

- Very small wash loads (e.g. only one bathrobe) may cause your machine to vibrate. This does not affect operation of your machine in any way.
- The adjustable feet have not been adjusted properly. Consult installation instructions.

... the spin speed fluctuates and is uneven?

- Owing to excessive sudsing, the Sensortronic electronic foam monitoring system has temporarily reduced the spin speed until the foam is brought under control. Your laundry is respun immediately thereafter.
Check the detergent dosage in the next programme!

... the machine is oversudsing in the main wash?

- You have added too much detergent. Dose the detergent more accurately!
- Have you used a low lather detergent?

**Minor faults
you can rectify
yourself**

**Minor faults
you can rectify
yourself**

... my washing machine is noisy?

- The drain hose may be kinked, or
- The drain pump is blocked. In both cases, the water has not been pumped away efficiently or not at all.
See also "Cleaning the drain pump".
- There may still be transport packing in your washing machine, or your machine has not been properly installed and rocks from side to side.
See the installation instructions!

... water runs out from under the machine?

- The screw coupling on the supply hose or the hose clip in the drain hose may be loose.
- The drain hose is leaking.
- The cover of the drain pump in the plinth (fig. 1/31 E) is not properly secured after cleaning or emergency emptying. See "Cleaning the drain pump", in this section.

... the laundry has not turned out as well as it usually does?

- You have added too much or too little detergent.
Underdosage leads to greying of your laundry and to scaling in your machine. Overdosage leads to frothing, reduced wash performance, and also to poor rinsing results.
Ensure more accurate dosage!
- You may not have used the correct detergent.
- Special heavy soiling has not been pretreated.
- Have you correctly selected the programme and temperature?
- The fabric conditioner has not been collected from the dispenser? Button CONDITIONER has not been pressed.

... the conditioning rinse was not dispensed and the conditioner compartment is filled with water?

- The syphon in the compartment is not correctly inserted or is blocked. See "Maintenance and care".
The dispenser was opened while the machine was filling.
- The washing powder compartment has been pulled out when it should have been dispensing.

... despite pretreatment, stains are not removed during washing?

- The stains may not be washable. Consult specialist (dry cleaners).

... grey spots ("flecks") are found on the finished laundry (so-called grease balls)?

- Laundry soiled by ointments, fats, oils, or body grease, has been washed in too little detergent, therefore the amount of detergent has been insufficient to dissolve the grease. Use more detergent.
- Your laundry has been washed at too low a temperature.

... even after the final rinse (rinse-hold), foam is still visible?

- Modern detergents cause frothing even in the final rinse water, however, this is not a negative reflection on the rinsing result.

... **conditioner flecks remain on the finished laundry?**

- This is in most cases likely to be due to the fact that conditioning rinse – especially in concentrated form – has directly affected your laundry.

Wash out these flecks as quickly as possible, and take care when handling these agents!

... **very little or no water is visible in the loading door?**

- Modern washing machines use very little water but provide a first class wash and rinsing result.

... **white detergent residues remain on the laundry after the programme has ended?**

- These residues are insoluble constituents of modern detergents. They are not due e.g. to insufficient rinsing.

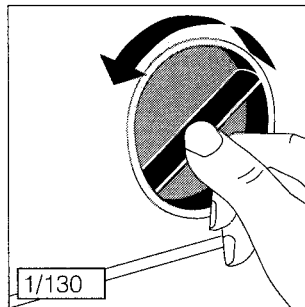
Possible remedies: Brush or shake out, and possibly also put laundry back into wash. Check detergent selection.

... **the laundry is insufficiently spun or water remains in the drum?**

- A programme with RINSE HOLD has been selected.
- Owing to a kinked hose, the pump is not pumping away sufficient water from your washing machine.
- The pump head of max. 1 m is exceeded. For such cases, the service centre stocks a retrofitting kit with a second pump.
- The drain pump is blocked.

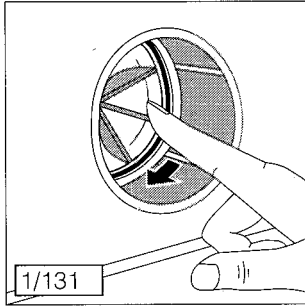
Proceed as follows when cleaning the drain pump:

- **Unplug your washing machine or take out the fuse.**
- Drain the water from the machine as described under “Emergency emptying in the event of a power failure” in the next section.
- Unscrew the drain pump cover anticlockwise (see arrow) and remove together with the insert. Place a cloth underneath as residual water may still run out.



- Remove foreign bodies from the pump housing. Always also check by hand that the pump impeller runs freely.

**Minor faults
you can rectify
yourself**

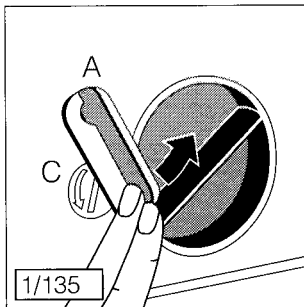


- Replace the cover and close by turning clockwise. Make sure it is closed tightly otherwise water will leak from the pump.
- Close emergency drain hose with plug. Push back into the machine. Secure the plug by rotating it a quarter turn clockwise.

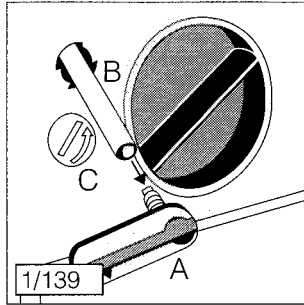
... the loading door cannot be opened when a power failure has occurred?

■ Proceed as follows:

- Turn plug A a quarter turn anticlockwise (in the direction of the arrow).



- Pull out hose B and remove plug A.



- Allow the residual water to drain into a bowl (place a cloth underneath). Depending on the amount of residual water, it may be necessary, to empty the collecting bowl several times.
Take care when the suds are hot! Where necessary, allow to cool first!
- Replace plug A into the drain.
- To open the loading door, turn knob C anticlockwise (in the direction of the arrow) with a coin or screwdriver until the loading door springs open.
- Push in emergency drain hose and secure A.

Please note:

After emergency emptying, your washing machine has been emptied completely.

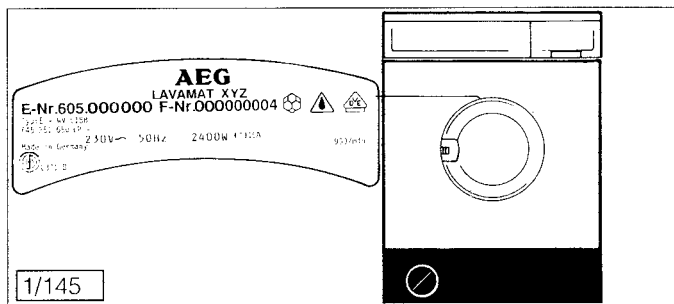
To ensure the function of the ÖKO lock, it is necessary to add around 1/2 l water to the detergent dispenser.

If, you decide to call the service centre to help with any of the stated instructions or on grounds of faulty operation, the service engineer's visit cannot be made free of charge even during the guarantee period.

Customer service

If no reference is made to a particular fault in the Operating Instructions, please contact the service centre.

When doing so, quote the product number (E-No.) and serial number (F-No.) of your machine. You will find these numbers on the rating plate.



Providing these numbers enables the service centre to make precise identification of the required spare part so that your washing machine can be repaired on the engineer's first visit. You will thus save yourself additional costs due to repeated visits by the service engineer.

To keep these numbers handy, we recommend you to enter them here:

E-No.

F-No.

AEG Service Locations in the United Kingdom

AEG UK Limited

Head Office

217 Bath Road

Slough, Berks. SL1 4AW

Tel: 07 53 87 25 06

Telex: 8 47 541

Telefax: 07 53 51 22 71

AEG Northern Service Centre

Unit 20, Haigh Park

Haigh Avenue

Stockport

Gt. Manchester SK4 1QR

Tel: 061 487 22 05

Telefax: 061 474 11 91

AEG Scottish Service Centre

Block 11, Unit 1

Dundyvan Industrial Estate

Coatbridge

Lanarkshire ML5 4AQ

Tel: 02 36 44 03 87

Telefax: 02 36 44 02 56

Service Appointments

Bristol (call diverted to Slough) 02 72 25 28 80

Norfolk (call diverted to Slough) 06 03 76 55 15

Technical data

Dimensions:

With worktop

Height 85.0 cm

Width 60.0 cm

Depth 60.0 cm

Without worktop

Height 82.0 cm

Width 59.5 cm

Depth 57.0 cm

Connection

Information relating to electrical connection is given on the rating plate and in the separate installation instruction supplied with the machine.

Please ensure that the voltage and current indicated on the rating plate agrees with the voltage of your electricity supply, 220/240 volts – (i.e., 220/240 V AC).

Drum speeds:

Washing 50 min⁻¹

Spinning max. 1400 min⁻¹

Optionally 1200/1000/700 min⁻¹

Water pressure:

1-10 bar (= 10-100 N/cm² = 0.1-1.0 MPa) cold water supply

Weight empty:

Around 85 kg

This appliance meets the radio/tv suppression requirements of EN 55014/DIN VDE 0875 Part 1, Directives 82/499 EC, 87/308 EC, and EN 55011, DIN VDE 0871 Part 1, as well as the standard for reciprocal effect on electricity mains EN 60 555 Parts 1-3/VDE 0838 Parts 1-3 of June 1987.

AEG Hausgeräte AG
Postfach 1036
D-90327 Nürnberg

© Copyright by AEG

H 244 296 140 – 03940.5/02 –

AEG Domestic Appliances Ltd

Customer Care Department
55-77 High Street
Slough
Berkshire SL1 1DZ

Telephone: 08705 350350