

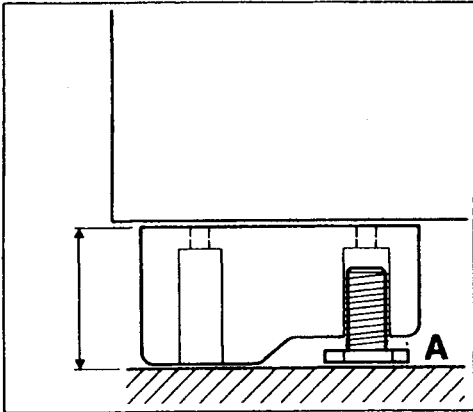


Table Top Freezers

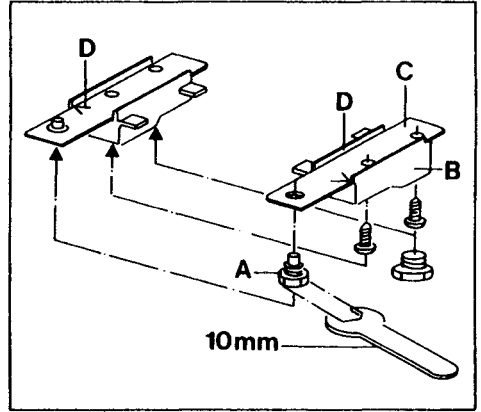
Operating Instructions

Contents

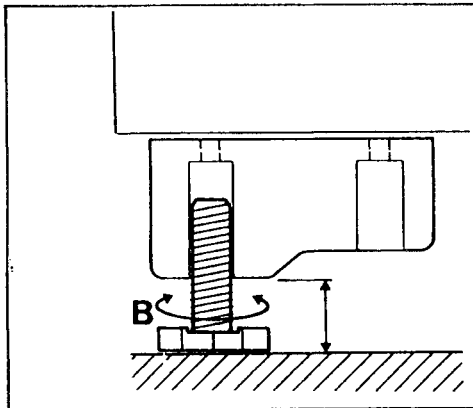
	Page
Illustration pages (please unfold)	2–5
General instructions, Choice of location	15
Rehingeing the door	15/16
Your freezer needs air	16
Decorating the appliance door	16/17
Matching with a variable worktop	17
Voltage and current	17/18
Operating and indicator panel	18
Starting up and temperature regulation	18
Freezing fresh food and storing frozen food	19
Defrosting and cleaning	20
Faults and servicing	21



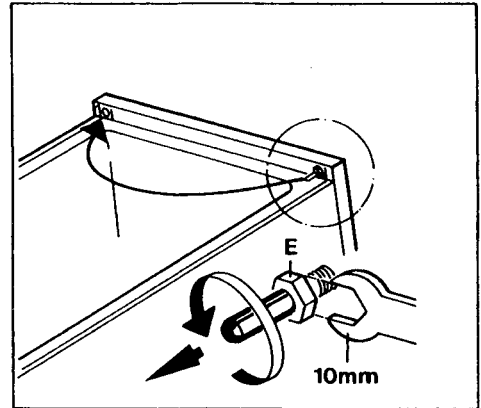
1



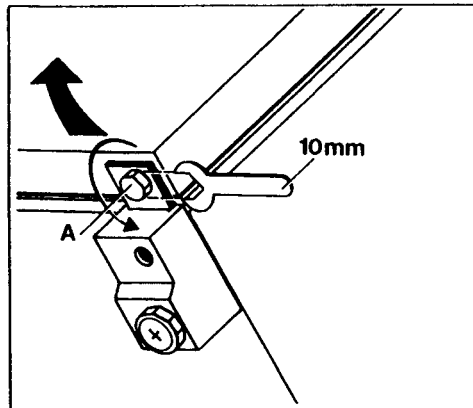
4



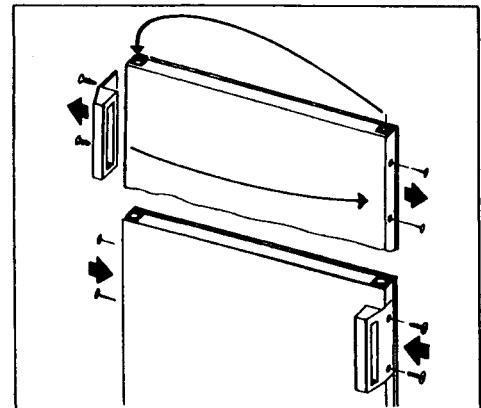
2



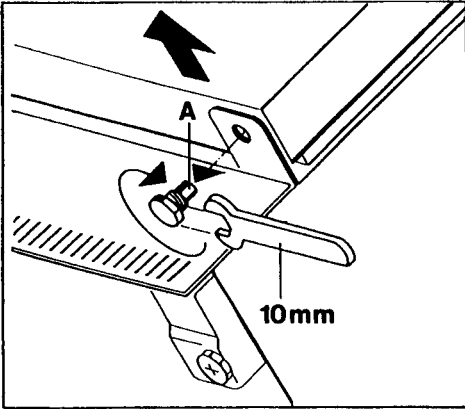
5



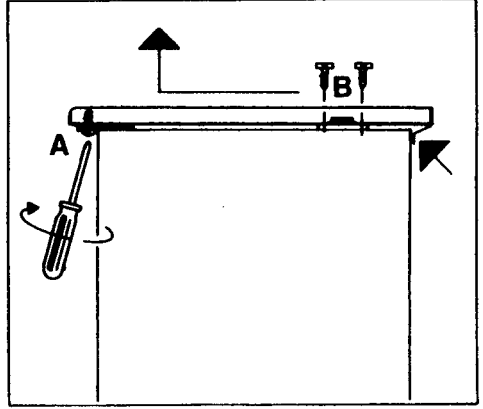
3



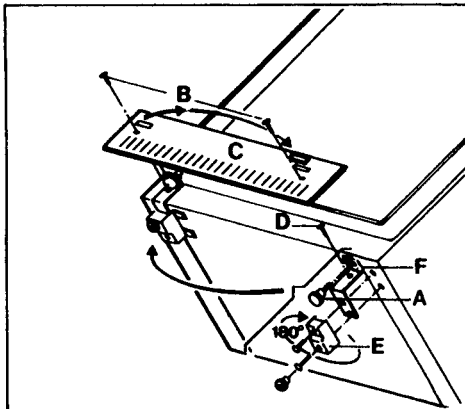
6



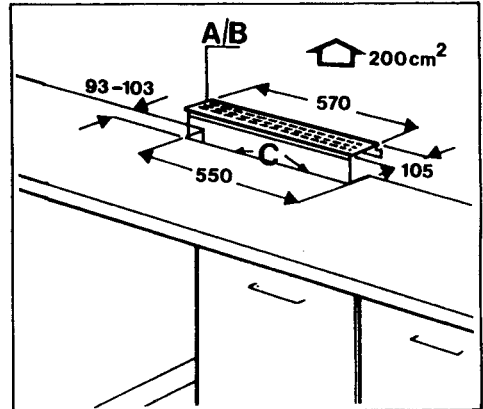
7



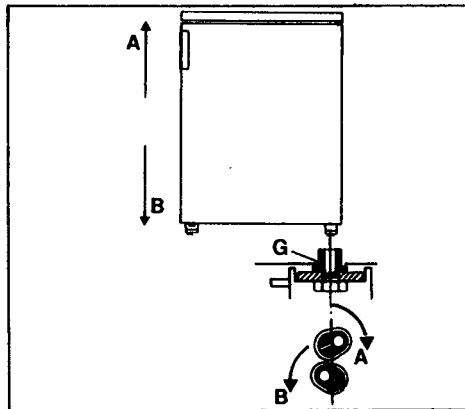
10



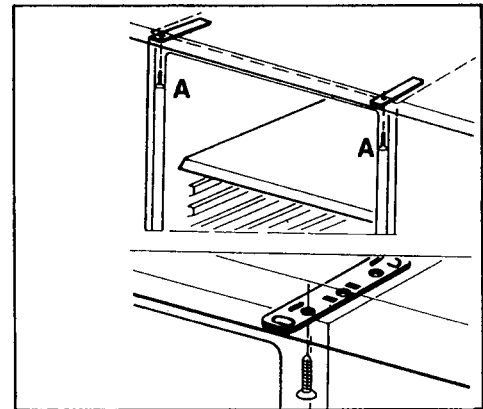
8



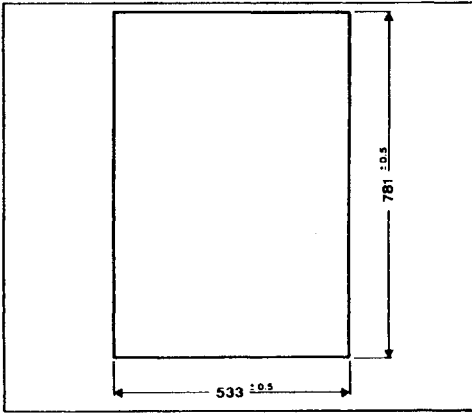
11



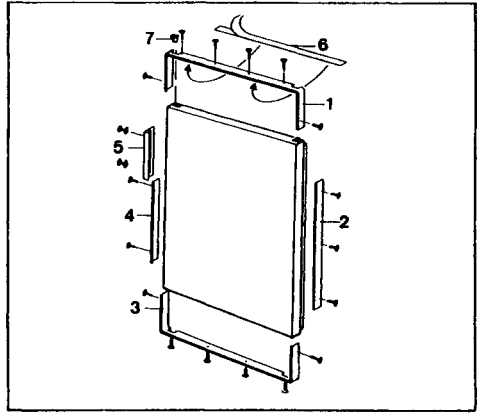
9



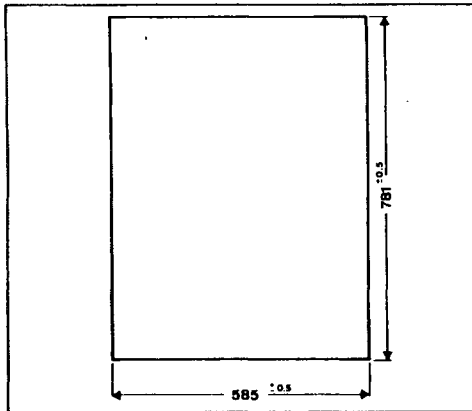
12



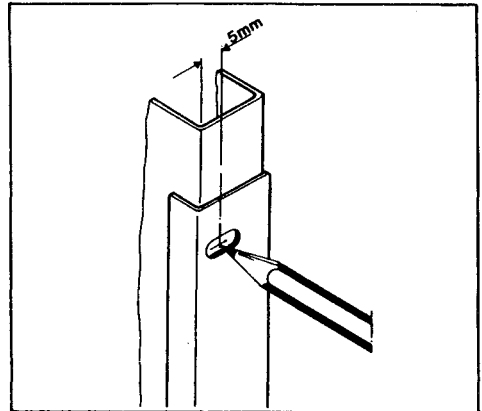
13



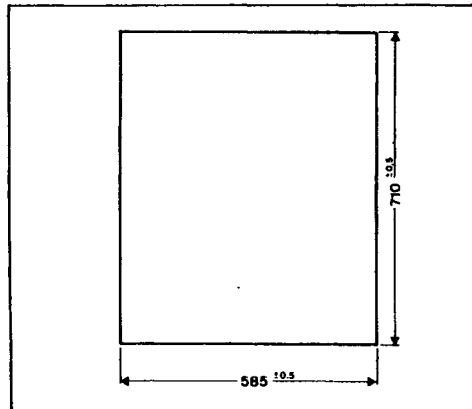
16



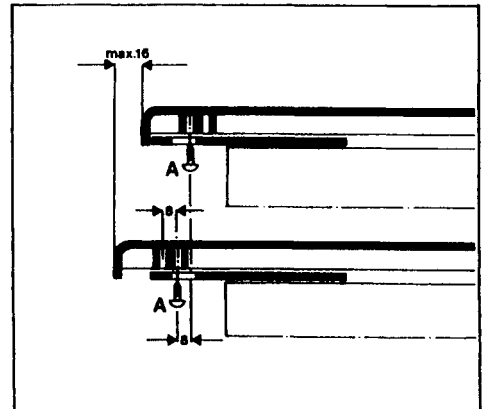
14



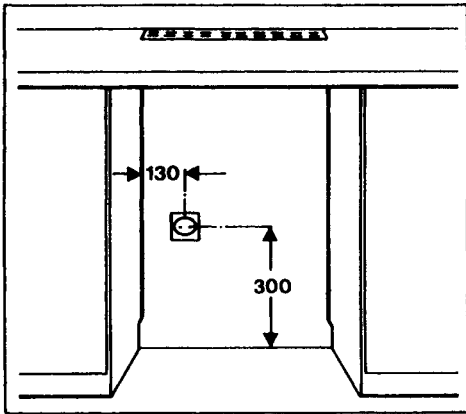
17



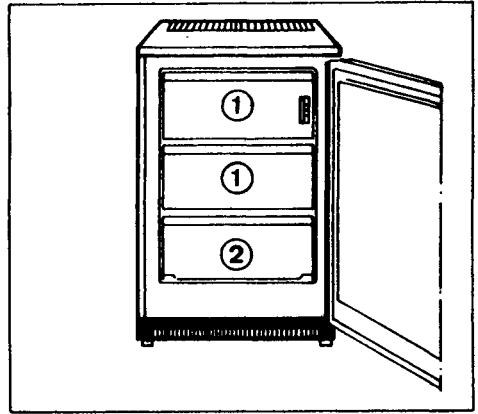
15



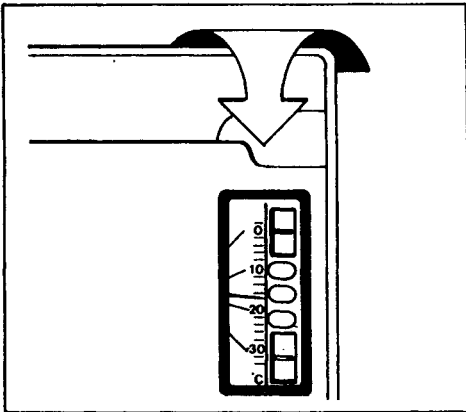
18



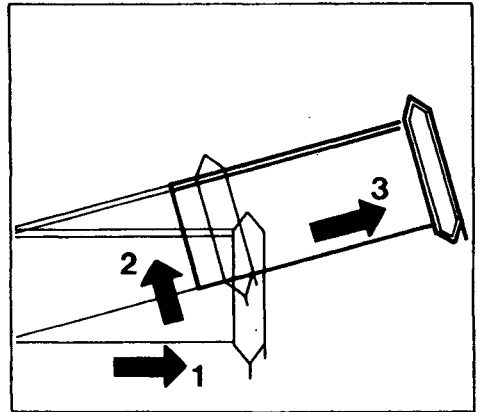
19



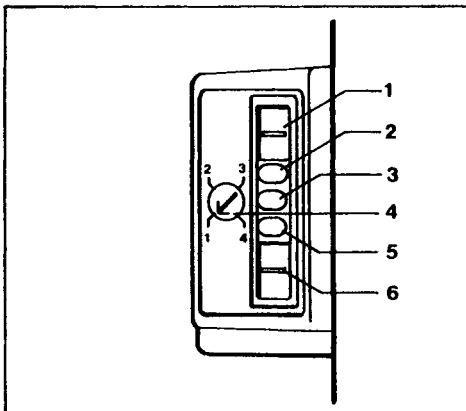
22



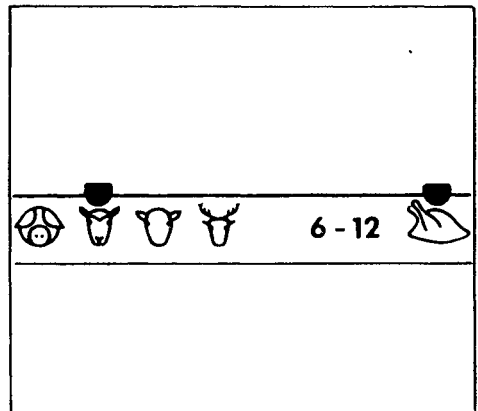
20



23



21



24

This page is intentionally left blank

IMPORTANT!

If the freezer you have purchased is replacing an older model still fitted with a snap catch or lock, you should render this lock unserviceable before throwing the appliance away or putting it out for environmentally safe refuse collection.

In this way you can prevent children locking themselves in when playing and thus endangering their lives.

Please make sure that the pipelines of your refrigerator are not damaged before collection for environmentally appropriate disposal.

You have just purchased a home freezer which has been produced according to the standards applicable to these appliances.

During manufacture, the necessary measures have been taken as required by the Appliance Safety Act (GSG), the Accident Prevention Regulations for Refrigerating Installations (VBG 20), and the Specifications of the Institute of German Electrical Engineers (VDE).

The refrigeration circuit has been checked for leakage. The appliance is radio-interference suppressed in accordance with EC Directive 82/499/EC as well as with the Standard relating to the Retroactive Effect of the Mains Supply EN 60555 Parts 1-3/DIN VDE 0838 Parts 1-3, June 1987.

Before starting up, we recommend you to read the following Operating Instructions, since only by doing so can you benefit from all the advantages offered by your freezer. These Operating Instructions are intended for several technically comparable models with different equipment. Please only follow the instructions corresponding to your appliance version.

Removing the adhesive tapes

The door is secured to the housing with adhesive tapes. Remove any adhesive tape residues with a suitable petroleum-based cleansing agent.

Commercial use

Should you use your home freezer commercially or for purposes other than refrigeration, freezing, and deep frozen storage of food and drinks, you must observe the legal requirements applicable to your area.

Choice of location

Your freezer should be installed in a well-ventilated, dry room. Its installation in a damp room or the occurrence of weather-dependent high air humidity may temporarily lead to precipitation of moisture (dew formation) on the outsides of the freezer.

Never install your freezer near a heater or oven or in direct sunlight. If installation beside a heat source is unavoidable, the following minimum distances at the sides are to be complied with:

To electric cookers 3 cm, to oil- and coal-fired cookers 30 cm.

Place a heat protection panel between both appliances. If your appliance is installed beside a refrigerator or freezer, a distance of 2 cm is necessary for reasons of good ventilation and avoidance of condensation.

Do not install in a room whose temperature may exceed +32 °C for any length of time.

Your freezer should be installed on a firm, level surface. Correct any floor irregularities by twisting the adjustable feet in or out.

Adjustable feet – working height 85/86 cm

Fig. 1

Your appliance is equipped as standard with 4 adjustable feet which you can twist in or out to correct any floor irregularities.

If your freezer is installed under a continuous worktop, all 4 adjustable feet must be screwed down to the low-lying position (A).

Special accessory: Adjustable feet – working height 90/91 cm

Fig. 2

If your freezer is intended for a working height of 90/91 cm, four 6 cm long adjustable feet (B) (E-No. 621 833 004) should be ordered and screwed in.

Rehinging the door on appliances without a plinth

Figs. 3, 4, 5 and 6

Before connecting your appliance to the power supply, you should check whether the door hinge should be changed over from right (as delivered) to left if required by the installation site and operability.

Incline the appliance backwards.

To remove the door, unscrew pivot (A) (Fig. 3). Lift door off door bearing and remove downwards.

Place door aside and protect against damage. Keep pivot (A) in a safe place.

Change front feet (B) and lower door bearing (C) (Fig. 4).

When fitting the door bearing, ensure that the embossing 540 or 595 (as appliance width dimension) is legible and that the marked arrow (D) points outwards to the appliance side.

Unscrew pivot (E) and screw in above on LH side (Fig. 5). Mount door in pivot, close door, and screw in pivot (A) below (Fig. 3).

Change over door handle.

Plug screwholes with hole seals (Fig. 6).

Rehinging the door on appliances with a plinth

Figs. 5, 6, 7 and 8

Incline the appliance backwards.

To remove the door, unscrew pivot (A) (Fig. 7). Lift door off door bearing and remove downwards.

Place door aside and protect against damage. Keep pivot (A) in a safe place.

Unscrew screws (B) (Fig. 8). Release and remove plinth screen (C) by inserting a screwdriver into external ventilation slot of housing.

Unscrew screw (D).

Change front feet (E) and lower door bearing (F) as illustrated.

Vertically align door bearing and screw in screw (D) without predrilling.

Insert plinth screen (C) and screw in screws (B).

Unscrew pivot (E) and screw in above on LH side (Fig. 5). Mount door in pivot above, close door, and screw in pivot (A) below (Fig. 7).

Change over door handle (Fig. 6).

Plug screwholes with hole seals.

Aligning the appliance door

Fig. 9

Remove door.

Remove lower bearing bushing from door. Twist as necessary to adjust and refit.

When fitting bearing bushing (A), raise upper LH door edge.

When fitting bearing bushing (B), lower upper LH door edge.

If door is mounted at left, proceed in reverse sequence.

Refit door.

Your freezer needs air

The refrigerating unit of your freezer is designed for maintenance-free operation. What it should never lack is good ventilation. Air is supplied under the door through the ventilation slot between the freezer and storage surface. Air is extracted through the upper ventilation grille. Never obstruct these openings by plinth screens or crockery.

Mounting under a continuous worktop

Figs. 10, 11 and 12

After removal of the storage panel, your appliance can be installed under a continuous worktop (Fig. 10).

For this purpose:

1. Open the door.
2. Unscrew Phillips screws (A).
3. Lift the worktop slightly at the centre near the ventilation grille, slide forwards, and lift upwards.
4. Unscrew panel holder (B).
5. Seal drillholes with a moisture-resistant adhesive tape to prevent penetration of moisture.

In the worktop at the rear, an air outlet opening of at least 200 cm² and a ventilation grille (A/B) matching the worktop design should be provided. Varnish the cut surfaces of the worktop (C) to prevent penetration of moisture (Fig. 11).

Special accessories:

A = Ventilation grille, brown (E-No. 621 814 002)

B = Ventilation grille, white (E-No. 621 825 004)

The appliance wall distance must be at least 30 mm and should be checked before the ventilation grille is inserted.

The freezer is fastened with 2 mounting screws (A) under the continuous worktop (Fig. 12). The front mounting screws of the removed worktop can be used for this purpose.

Decorating the appliance door

Figs. 13-17

To match the door panel of your appliance to your kitchen design with a decorative trim of up to 4 mm thickness, a retrofitting decor frame kit is obtainable as a special accessory:

Decor frame with handle,

for appliances without a plinth, 54 cm wide –
for dimensions of decorative trim, see Fig. 13;

Decor frame with handle,

for appliances without a plinth, 59.5 cm wide –
for dimensions of decorative trim, see Fig. 14;
and

Decor frame with handle,

for appliances with a plinth, 59.5 cm wide –
for dimensions of decorative trim, see Fig. 15.

To establish the dimensions of the decorative trim,
please recheck the door dimensions of your appliance
to make sure.

To fit, please proceed as follows (Fig. 16):

1. Remove door (see "Rehingeing the door").
2. Unscrew handle and remove hole seals of screwholes.
3. Locate frame strips (1), (2), (3) and (4) as well as handle (5).
4. Mark pattern of holes as per sketch (Fig. 17), arranging the pattern of holes in the front part of the slot.
5. Drill pattern of holes with 2.1 mm dia.
6. Loosely arrange lower frame strip (3) and side strips (2) and (4) with screws.
7. Lay in decorative trim from above.
8. Arrange handle (5) with two screws (not forgetting washers).
9. Stick double-sided adhesive tape (6) below upper frame strip (1).
10. Arrange upper frame strip (1) with screws.
11. Press on strips and tighten screws.
12. Insert cover (7).
13. Refit door (see "Rehingeing the door").

If a thin decorative trim is being fitted, it is recommended to use double-sided adhesive tape.

Matching with a variable worktop

Fig. 18

The variable worktop enables you to match the front panel of your appliance to those of other domestic appliances or kitchen units with millimetre accuracy. For this purpose, the worktop can be shifted forward in two steps of up to 16 mm.

Proceed simply as follows:

1. Open door.
2. Loosen two Phillips screws (A) on LH and RH sides.
3. Slide worktop forward to required dimension.
4. Retighten screws (A).

If the worktop needs to be shifted more than 8 mm, unscrew screws (A) and screw them in the second group of holes after shifting the worktop (lower diagram).

Electrical connection

WARNING – THIS APPLIANCE MUST BE EARTHED

Please ensure that the voltage and current indicated on the rating plate agrees with the voltage of your electricity supply.

220/240 volts ~ (i. e., 220/240 V AC).

If your appliance has been equipped with a mains lead with a moulded-on type plug, you must comply with the following regulations: The plug moulded on to the cord incorporates a fuse. For replacement, use a 13 amp BS 1362 fuse. Only ASTA approved or certified fuses should be used. The fuse cover/carrier must be replaced in the event of changing the fuse. The plug must not be used if the fuse cover/carrier is lost. A replacement cover/carrier must be obtained from an electrical goods retailer. If the socket outlets in your home are not suitable for the plug fitted to the appliance, then the plug must be cut off and an appropriate one fitted. When fitting the plug please note the following points:

Important

The wires in the mains lead are coloured in accordance with the following code:

Green and Yellow	Earth
Blue	Neutral
Brown	Live

As the colours of the wires in the mains lead of this appliance may not correspond with the coloured markings identifying the terminals in your plug, proceed as follows:

1. The wire which is coloured **GREEN** and **YELLOW** must be connected to the **EARTH** terminal in your plug, which is marked with the letter **E** or by the earth symbol \perp or coloured **GREEN**, or **GREEN** and **YELLOW**.
2. The wire which is coloured **BROWN** must be connected to the **LIVE** terminal which is marked with the letter **L** or coloured **RED**.
3. The wire which is coloured **BLUE** must be connected to the neutral terminal which is marked with the letter **N** or coloured **BLACK**.

When wiring the plug, ensure that all strands of wire are securely retained in each terminal. Do not forget to tighten the mains lead clamp on the plug.

Warning! A cut off plug inserted into a 13 amp socket is a serious shock hazard. Ensure that the cut off plug is disposed of safely.

Voltage 220/240 V AC

Fuse rating 13 amps

See rating plate for further information.

The rating plate is located on the left inside the appliance.

Plug socket

Fig. 19

The plug socket necessary for connection of your appliance to the electricity supply should be positioned so that it is possible to pull out the appliance plug.

If your appliance is installed under a continuous worktop, the plug socket should be provided as shown in Fig. 19.

A concealed protective contact plug socket requires 10 A/16 A fusing.

Cleaning before using for the first time

Like all new appliances, your freezer will smell "new". For this reason, the interior of the freezer and all accessories should be cleaned before use (see also "Defrosting and cleaning").

Operating and indicator panel

Figs. 20 and 21

The temperature indicator and temperature regulator as well as the switches and pilot lamps are located inside the appliance behind the prefreezing compartment flap on the RH side. Open the flap to operate them.

The operating and indicator panel contains the following:

On/Off switch (1) with green pilot lamp (2).

The green lamp comes on when the appliance is switched on and the mains voltage is available. In this switch position, the refrigerating unit automatically operates by system control.

Fast-freeze switch (6) with amber pilot lamp (5).

The amber lamp comes on when the switch (6) has been operated. The refrigerating unit continuously operates.

The red temperature pilot lamp (3) comes on:

- when the appliance is started up if the storage temperature has not yet been attained;
- if the minimum storage temperature is no longer being maintained (fault);
- if excessive amounts of fresh food are placed inside; and
- if the appliance door is open for too long.

The temperature regulator (4) can be used for continuously variable setting of the most energy-saving storage temperature for your frozen food.

The optimum storage conditions occur at -18°C .

Important note: If you operate the fast-freeze switch or adjust the temperature regulator, it may happen that the refrigerating unit of your freezer starts, not immediately, but only after some time. In this case, your appliance has no fault.

Audible temperature alarm

If your freezer is equipped with an audible temperature alarm, an acoustic warning sounds simultaneously with illumination of the red temperature pilot lamp, alerting you to the fact that the temperature in your freezer is too high or too warm (symbol on the housing of the operating and indicator panel behind the prefreezing flap).

The acoustic warning sounds until the red temperature pilot lamp goes out or until the audible alarm is switched off by operation of the fast-freeze switch.

The fast-freeze switch can be switched off when the red lamp has gone out.

Starting up and temperature regulation

Fig. 21

Switch on switch (1). The green lamp (2) and red lamp (3) come on. The refrigerating unit starts.

Additionally operate the fast-freeze switch (6). The amber lamp (5) comes on, and the refrigerating unit continuously operates. Only when the red lamp (3) has gone out, reset the fast-freeze switch (6). The amber lamp (5) goes out.

The temperature regulator (4) can be used to set the required storage temperature, -18°C or colder.

Setting "1" means:

highest, warmest internal temperature.

Setting "4" means:

lowest, coldest internal temperature.

Important: Regularly check on the red temperature pilot lamp (3) and on the thermometer that the storage temperature is being maintained.

Freezing fresh food and storing frozen food

Fig. 22

You can use your freezer for freezing of fresh food yourself. Before filling your freezer for the first time with frozen food (deep-frozen food), an inside temperature of $-18\text{ }^{\circ}\text{C}$ must have been attained.

Please observe the following instructions to be sure of obtaining the best results.

Do not freeze too large a quantity at any one time. The quality of the food is best preserved when it is frozen right through to the core as quickly as possible.

Do not exceed the freezing capacity of your appliance in 24 h as indicated on the rating plate and in the product information.

If you want to carry out freezing in several consecutive days, only utilize $\frac{2}{3}$ to $\frac{3}{4}$ of the maximum capacity. To utilize the maximum rated freezing capacity, switch on the fast-freeze switch 24 hours before freezing is due to start (the amber light will now show). For smaller amounts, the fast-freeze switch should be switched on 4–6 hours in advance.

Smallest amounts (up to 3 kg) can be frozen without pressing the fast-freeze switch.

Packed food to be frozen should be placed directly on the refrigerating unit of a freezing compartment with flap or in a freezer drawer (1).

Freezing is possible in any freezer compartment or freezer drawer (1), since each level is equipped with its own refrigerating unit.

Take special care not to mix already frozen foods with those not yet frozen.

The freezer drawer (2) should only be used for storage of frozen food. It also serves as a practical thaw-water collection vessel if you defrost your freezer. After around 24 hours (earlier for smaller quantities), the fast-freeze switch can be switched off.

After freezing, you can leave the frozen food at the freezing level concerned.

If, however, further food is to be frozen, you must retain the fast-freeze setting and restack the frozen food in the drawers and compartments according to your own arrangement system to make available free freezing space.

Hint for test centres

Filling plans for determination of freezing capacity and warm-up time may be ordered direct from the manufacturer.

Taking out the freezer drawer

Fig. 23

The stable freezer drawer has a central antitilt feature and is retained in its end position. This assures safe and convenient insertion and removal of frozen food.

To remove the drawer, withdraw it as far as its catch, tilt it upwards, and pull it out forwards.

Frozen food symbols

Fig. 27

Frozen food symbols are arranged on compartment flaps and drawers. Wherever possible, separate the frozen food in the compartments and place the supplied rider opposite the food type symbol concerned. This will give you a better overall view of the food stored, will enable you to avoid excessive door opening, and will save you power.

Freezing calendar

Fig. 24

The figures beside the symbols indicate the maximum storage period in months altogether for several types of frozen food.

Further details are given in the Freezer Book.

Freezer Book with stored food chart

The Freezer Book contains all detailed information and hints on freezing and storage. It also contains the stored food chart in which you can do your "bookkeeping".

Enter the stored food with storage dates in soft pencil. In this way, you will at all times have a handy external survey of your frozen food stocks and storage times. No more unnecessary searching and no cold losses through prolonged door opening times. After taking out the frozen food, do not forget to rub out the corresponding entry.

The do's and don'ts of storing frozen food

Once the freezing process is completed, deep-frozen storage takes place in the temperature range below $-18\text{ }^{\circ}\text{C}$.

When freezing food yourself, please note the maximum storage times or those indicated in the Freezer Book.

For storage of already frozen food, it is imperative to note the storage time specified by the manufacturer on the packaging.

Make sure that only packaged food is stored in the freezer compartment, since unpackaged food will soon dry out when exposed to the extreme cold.

With the exception of spirits and drinks containing a higher percentage of alcohol, beverages in glass bottles, particularly, soft drinks containing carbon dioxide, juices, beer, wine, etc. should not be stored in the freezer. When the contents freeze, the glass bottles will crack or even burst.

Never handle frozen food with wet hands. Your hands could easily become frozen to the food. Never use the freezer as a means of cooling hot meals, since this causes heavy frost formation on the refrigerating units and an increase in power consumption.

If you want to utilize the effective capacity of your freezer compartment fully and need to accommodate an especially large amount of frozen food, you can even take out the central freezer drawer. You can then place frozen food directly on the refrigerating unit. Even when food is loaded in this way, the functional safety of your freezer compartment is assured.

If you ever move house

If your freezer is not fully loaded, pack all the frozen food in concentrated fashion at a few storage levels.

Switch over to fast-freeze 24 hours before the removal van leaves to build up a low-temperature reserve in the frozen food.

Secure the freezer door against opening during transport.

Place your freezer on the removal van last so that you can unload it first and replug it into the mains supply.

Frost removal

During operation and when the door is opened, moisture is deposited as frost in the internal space, especially on the upper refrigerating unit.

Remove this frost from time to time with a plastic scraper, e. g. pastry scraper (not with a knife or the like). The appliance need not be switched off. You will avoid heavy frost formation by not leaving the door open unnecessarily long.

Defrosting and cleaning

Your freezer should be defrosted once or twice a year or whenever a frost layer of around 4 mm has formed. This should preferably occur when the freezer is empty or contains little food.

Each temperature rise reduces the keeping qualities of your frozen food. Before defrosting your freezer, switch over the fast-freeze around 12 hours before defrosting is due to start to build up a low-temperature reserve in the frozen food.

All food packages remaining in the freezer compartment, hermetically packed if possible, should then be wrapped in several layers of newspaper and stored in a cool place (e. g. refrigerator).

During defrosting and cleaning, your freezer should basically not be connected to the mains supply. Therefore pull out the mains plug, remove the fuse, or trip the automatic safety device.

To defrost, remove all freezer drawers as far as the lowest one from the freezer.

The lowest freezer drawer serves as a practical thaw-water collection vessel. The thaw-water will collect inside it during defrosting and can then be conveniently removed.

You can accelerate the defrosting process by placing a bowl of hot water in the freezer and by removing detaching pieces of ice before complete defrosting.

Owing to risk of accident or fire, never use other heat sources, such as electric heating and warming appliances or the like.

After defrosting, clean the interior of your freezer and its accessories with lukewarm water to which a mild, non-abrasive detergent can be added. Finally, wash with clean water and wipe dry.

Restart your freezer. The frozen food can be loaded after around 30 minutes (see also "Before using for the first time").

When not in use

If your freezer is to remain unused for any length of time, it must be disconnected (unplugged) from the electricity supply by pressing the Off switch. Clean your appliance thoroughly and leave the door ajar to prevent any odours from forming.

Magnetic door seal

After opening and closing the door of your freezer whilst the latter is in operation, you will not immedi-

ately be able to open the door again, since a vacuum will have developed inside, keeping the door closed until the pressures inside and outside the door have equalized. After a few minutes, you can easily re-open the door.

Faults and servicing

To maintain the safety of your appliance, you should only have repairs, especially on live parts, performed by a trained electrician. In the event of a fault, please contact your retailer or the service centre direct.

Before approaching the service centre, check whether the pilot lamps come on, the refrigerating unit operates, and the internal temperature is being maintained.

If, for example, the green light goes out whilst your freezer is operational, switch on the fast-freeze system.

If the amber light comes on, the green light is defective.

If the amber light does not come on when the fast-freeze system is switched on, but the refrigerating unit is operational, this means that the amber light must be replaced.

If neither of the pilot lights is on, first check that the power supply has not been cut off (mains plug, house fuse, overall power failure in the supply system, etc.). If necessary, contact your electrician immediately.

If the red light comes on and the audible temperature alarm (where available) sounds, or the temperature inside the freezer has risen sharply without fresh food having been inserted or the appliance door having been open for any length of time, this means that there is a fault. Switch on the fast-freeze system, keep your freezer closed, and notify the nearest service centre immediately (see list of service centres). In this case, do not carry out any repairs yourself, especially in the electrical parts of your freezer.

When notifying the service centre, please quote

- the model designation,
- E-number and
- F-number of your freezer.

These data are indicated on the rating plate inside your appliance on the upper LH side.

Keep the freezer door closed and tell the service centre whether your appliance is still refrigerating. If the refrigerating system has failed, the low-temperature reserve in a full loading of frozen food will be enough to cover around 17 hours.

N. B.1 Unjustified after-sales service calls must be paid for even during the guarantee period.

Important: Regularly check on the red temperature pilot and thermometer that the storage temperature is being maintained.

Minor repairs you can carry out yourself

- Spare parts:

Spare parts can be ordered from the service centre. You can fit them yourself without any special skill or training.

For example

- Compartment flaps
- Internal thermometer in compartment flap
- Compartment flap bearings
- Freezer drawers
- Door handle.

Hints on energy-saving

- Do not place any hot food in the freezer – first allow the food to cool to room temperature.
- Do not open the freezer door unnecessarily and close it again as quickly as possible.
- Check the storage temperature of the freezer compartment on the thermometer.
- Do not set the storage temperature of the frozen food lower than -18°C .
- Ensure good ventilation of your freezer.

AEG Hausgeräte AG
Postfach 1036
D-90327 Nürnberg 1
© Copyright by AEG

H 271 267 000 - 1289/03 - 150

AEG Domestic Appliances Ltd

Customer Care Department
55-77 High Street
Slough
Berkshire SL1 1DZ

Telephone: 08705 350350