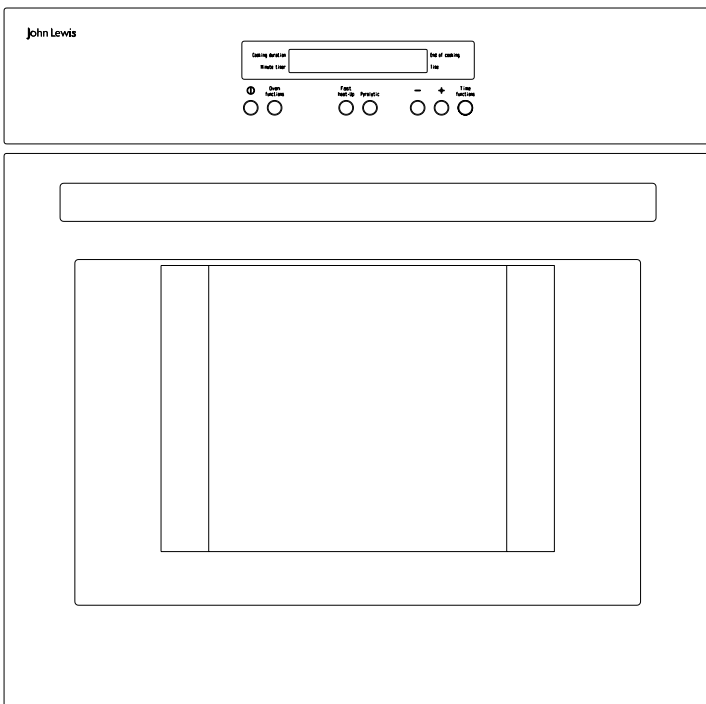


JLBIOS603

built-in oven

Instruction manual



John Lewis

Important Safety Information

It is most important that this instruction manual should be retained with the appliance for future reference. Should the appliance be sold or transferred to another owner, or should you move house and leave the appliance, always ensure that the book is supplied with the appliance in order that the new owner can get to know the functioning of the appliance and the relevant warnings. These warnings have been provided in the interest of safety. You **MUST** read them carefully before use or installation by a qualified person. If you are unsure of the meanings of these warnings contact the John Lewis branch from which you purchased the appliance.

Installation

- This oven must be installed by qualified and competent personnel to the relevant National Standards.
- Refer to Installation information on pages 5 and 6.
- This oven is heavy. Take care when moving it.
- Remove all packaging, both inside and outside the oven, before using the oven.
- Do not attempt to modify the oven in any way.
- Ensure that all control knobs are in the OFF position when not in use.
- Do not leave cookware containing foodstuffs, e.g. fat or oil in or on the oven in case it is inadvertently switched ON.
- When using other electrical appliances, ensure the cable does not come into contact with the hot surfaces of the oven.

People Safety

- This oven is designed to be operated by adults. Do not allow children to play near or with the oven.
- The oven gets hot when it is in use. Children should be kept away until it has cooled.
- This appliance is not intended for use by children or other persons whose physical, sensory or mental capabilities or lack of experience and knowledge prevents them from using the appliance safely without supervision or instruction by a responsible person to ensure that they can use the appliance safely.

Use

- This oven is intended for domestic cooking only. It is not designed for commercial or industrial purposes.
- Appliances become very hot with use, and retain their heat for long periods after use. Care should be taken to avoid touching heating elements inside the oven.
- Always stand back from the oven when opening the oven door during cooking or at the end of it to allow any build up of steam or heat to release.
- Never line any part of the oven with aluminium foil.
- Do not allow heatproof cooking material, e.g. roasting bags, to come into contact with oven elements.
- Never place plastic or any other material which may melt in or on the oven.
- Do not place sealed cans or aerosols inside the oven. They may explode if they are heated.
- Do not hang towels, dishcloths or clothes from the oven or its handle.
- Do not use this oven if it is in contact with water and never operate it with wet hands.
- Take great care when heating fats and oils as they will ignite if they become too hot.
- We recommend that you supervise each step of the pyrolytic cleaning cycle. A power failure could cause a temperature increase of the surround or cabinet which could result in a fire.
- Always use oven gloves to remove and replace food in the oven.

Maintenance and Cleaning


- Only clean this oven in accordance with the instructions.
- The oven should be kept clean at all times. A build-up of fats or other foodstuffs could result in a fire, especially in the grill pan.
- Always allow the oven to cool down and switch off the electrical supply before carrying out any cleaning or maintenance work.
- Never use steam or high pressure steam cleaners to clean the appliance.
- Do not use harsh abrasive cleaners or sharp metal scraper to clean the oven door glass since they can scratch the surface, which may result in shattering of the glass.

Service

- This oven should only be repaired or serviced by an authorised Service Engineer and only genuine approved spare parts should be used.



Environmental Information

- After installation, please dispose of the packaging with due regard to safety and the environment.
- When disposing of an old appliance, make it unusable, by cutting off the cable. Remove any door catches, to prevent small children being trapped inside.
- The symbol  on the product or on its packaging indicates that this product should not be treated as normal household waste. Instead it should be taken to the appropriate collection facility for the recycling of electrical and electronic equipment. By ensuring this product is disposed of correctly, you will help prevent potential negative consequences for the environment and human health, which could otherwise be caused by inappropriate waste handling of this product. For more detailed information about recycling of this product, please contact your local council, your household waste disposal service or the shop where you purchased the product.

Contents

For the User

Important Safety Information	2
Description of the Appliance	4
The Control Panel	7
When the oven is first installed	8
To set the correct time	8
Before first use	8
"On/Off" Button	9
How to select a Cooking Function	9
How to set the temperature and cooking time	9
Cooking Function Symbols	10
Using the Oven	10
Hints and Tips	11
Condensation and steam	11
Cookware	11
The effects of dishes on cooking results	11
The Safety Thermostat	11
The Cooling Fan	11
Programming the Oven	12
How to set the minute timer	12
To programme the Oven to switch On and Off	12
To Programme the Oven to Switch Off	13
Safety and Energy Saving Functions	13
Safety Cut-Off Function	13
Residual Heat Function	13
Child Safety Function	13
Fast Heat-up function	14
Demo mode	14
Error code	14
The Fan Oven	15
The Conventional Oven	16
Cooking chart - Conventional and Fan Oven	17
Grilling	18
Cooking chart - Grilling	19
Pizza Oven	20
Cooking chart - Pizza Oven	20
Defrosting	20
Cleaning the Oven	21
Cleaning materials	21
External cleaning	21
Oven Cavity	21
Oven Shelves	21
Pyrolytic cleaning	21
How to use the pyrolytic cleaning function	22
To programme the pyrolytic cleaning cycle (delayed start, automatic stop)	23
Replacing the Oven Light	24
Cleaning The Oven Door	24
Something not working	27
Repairs - After Sales Service	27

For the Installer

Installation	5
Technical Data	5
Heating elements rating	5
Electrical Connection	5
Building In	6
Securing The Oven To The Cabinet	6

Guide to use the Instruction Manual

The following symbols will be found in the text to guide you throughout the Instructions:



Safety Instructions



Step by step instructions for an operation



Hints and Tips



Environmental Information

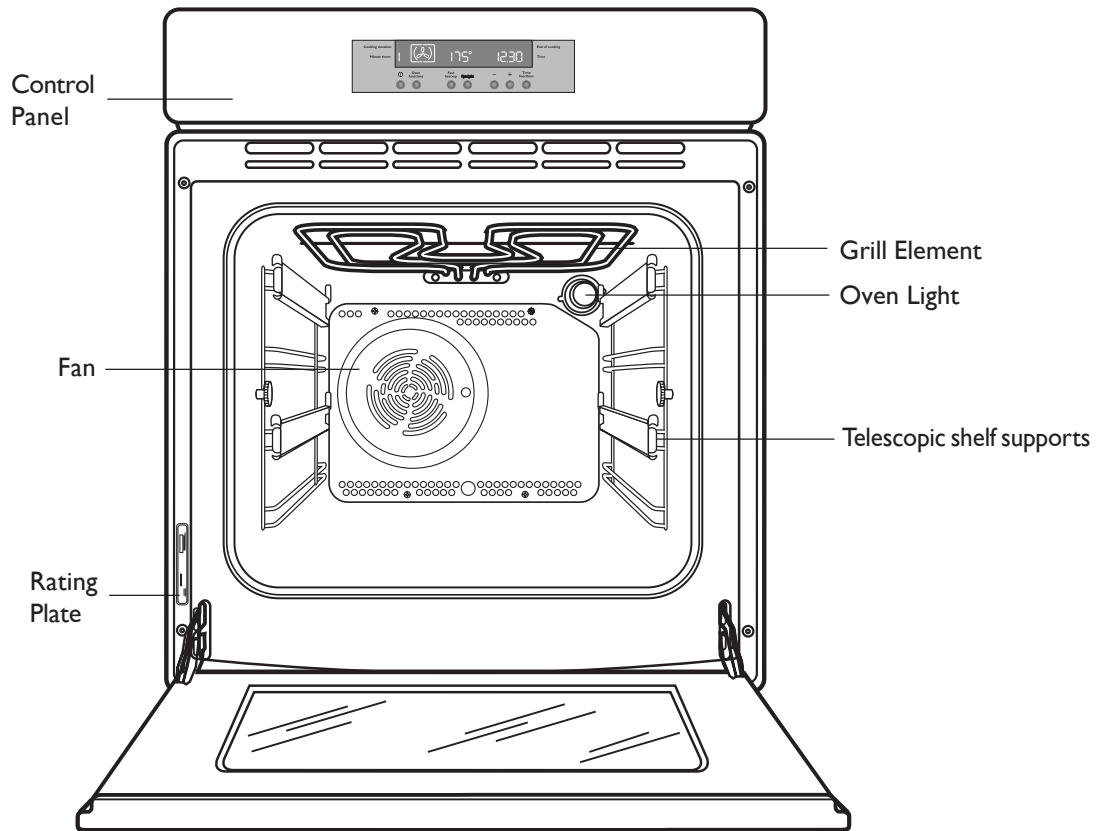


This appliance complies with the following

E.E.C. Directives:

- * **2006/95** (Low Voltage Directive);
- * **93/68** (General Directives);
- * **89/336** (Electromagnetical Compatibility Directive)
and subsequent modifications.

Description of the Appliance



Installation

Technical Data

Dimensions of recess

Height	in-column: 580 mm undertop: 593 mm
Width	560 mm
Depth	550 mm

Dimensions of the oven cavity

Height	335 mm
Width	395 mm
Depth	400 mm
Oven capacity	53 litres

Heating elements rating

Conventional Oven (Top element+Bottom element)	1,800 W
Top element	800 W
Bottom element	1,000 W
Fan Oven	2,000 W
Inner Grill element	1,650 W
Full Grill element	2,450 W
Pizza Oven	2,000 W/1,000 W
Pyrolytic cleaning function	2,450 W
Thermal Grilling	1,675 W
Convection Fan	25 W
Oven Light	40 W
Cooling Fan	25 W
Total Rating	2,500 W
Supply voltage (50 Hz)	230 V

Electrical Connection



THIS OVEN MUST BE EARTHED

Electrical Requirements

Any permanent electrical installation must comply with the latest I.E.E. Regulations and local Electricity Board regulations. For your own safety this should be undertaken by a qualified electrician, e.g. your local Electricity Board, or a contractor who is on the roll of the National Inspection Council for Electrical Installation Contracting (NICEIC).

Electrical Connection

The oven is designed to be connected to 230 V (50 Hz) electricity supply.

Before connecting to the mains supply ensure that the mains voltage corresponds to the voltage on the rating plate on the side of the oven door.

The oven has an easily accessible terminal block which is marked as follows:

Letter L	-	Live terminal
Letter N	-	Neutral terminal
or E	-	Earth terminal

The cable used to connect the oven to the electrical supply must comply to the specifications given below.

For UK use only

Connection via	Min. size Cable/flex	Cable / flex type	Fuse
• 13 A socket outlet • 13 A spur box	2.5 mm ²	3 core butyl insulated	13 A min.
• Oven Control Circuit	2.5 mm ²	PVC/PVC twin and earth	15 A min. 20 A max.

It is necessary that you install a double pole switch between the oven and the electricity supply (mains), with a minimum gap of 3 mm between the switch contacts and of a type suitable for the required load in compliance with the current rules.



The switch must not break the yellow and green earth cable at any point.

It is necessary that the yellow/green earth wire is about 2 cm longer than the live and neutral ones.

Important

After installation and connecting, the cable must be placed so that it cannot at any point reach a temperature of more than 60°C above the ambient temperature.

Before the oven is connected, check that the main fuse and the domestic installation can support the load; and that the power supply is properly earthed.

The manufacturer disclaims any responsibility should these safety measures not be carried out.

For Europe use only

Min. size Cable/flex	Cable / flex type	Fuse
1.5 mm ²	H07 RN-F, H05 RN-F, H05 RR-F, H05 VV-F, H05 V2V2-F (T90), H05 BB-F	13 A

Building In



The oven must be installed according to the instructions supplied on p. 5-6 and by qualified and competent personnel to the relevant National Standards

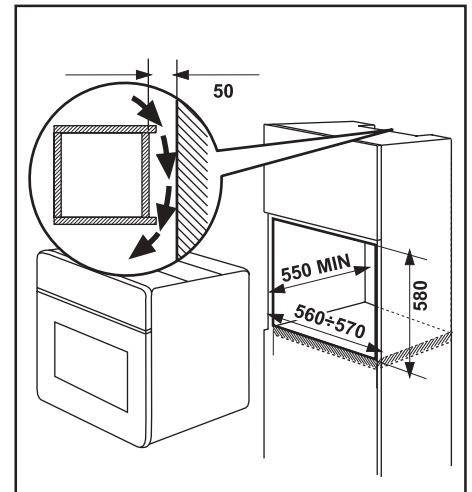
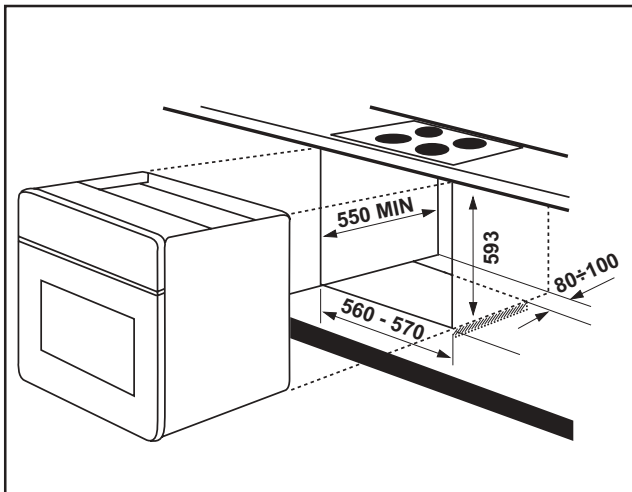
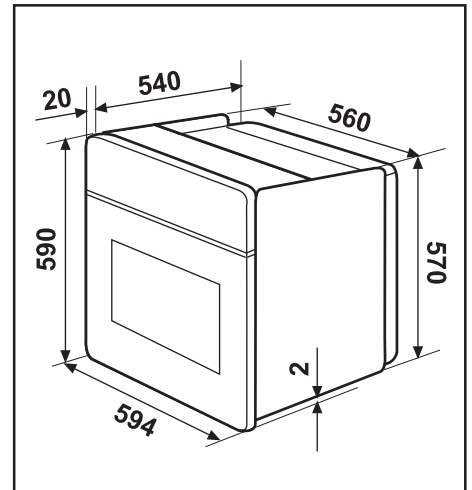
Please ensure that when the oven is installed it is easily accessible for the engineer in the event of a breakdown.

Building In

The surround or cabinet into which the oven will be built must comply with these specifications:

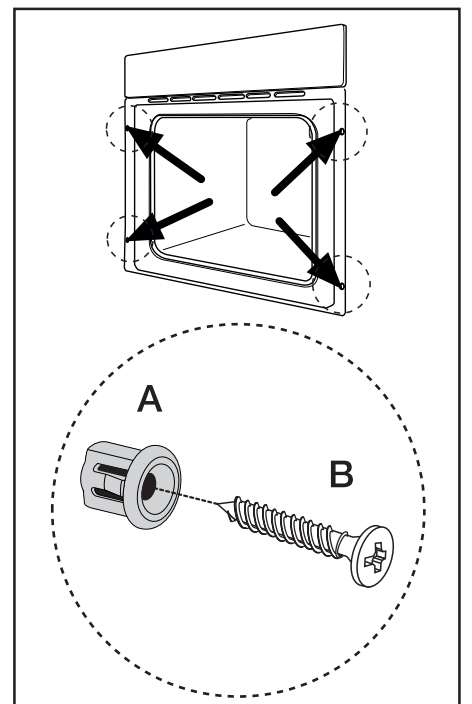
- the dimensions must be as shown in the relevant diagrams;
- the materials must withstand a temperature increase of at least 60°C above ambient;
- proper arrangements must be made of a continuous supply of air to the oven to prevent the oven overheating.

Dimensions of the oven and recess required are given in the relevant diagrams.

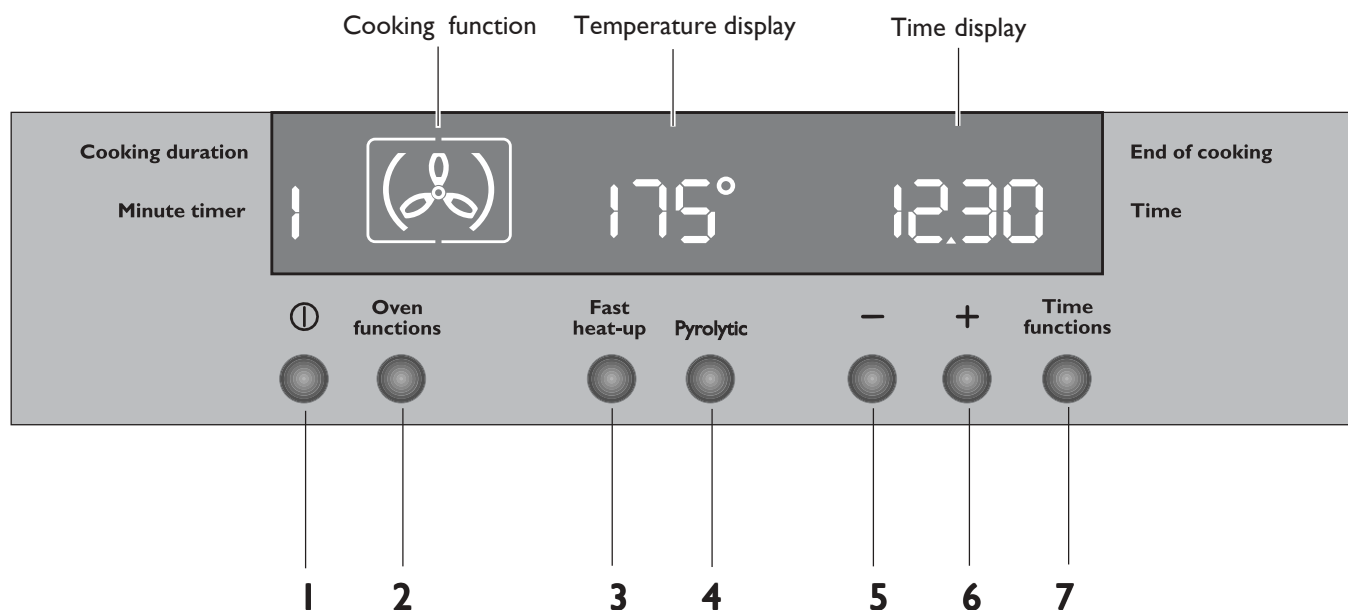


Securing The Oven To The Cabinet

1. Fit the oven into the cabinet recess,
2. Open the oven door,
3. Secure the oven to the kitchen cabinet with the four distance holders "A" which fit the holes in the oven frame and then fit the four wood screws "B".



The Control Panel



Push buttons

1. ON / OFF Control
2. Oven functions Control
3. Fast heat-up Control
4. Pyrolytic Function Control
5. Decreasing Control “-” (Time or Temperature)
6. Increasing Control “+” (Time or Temperature)
7. Time functions Control (Minute timer / Cooking duration function / End of cooking function)

All the oven functions are controlled by an electronic programmer.

You can select any combination of cooking function, cooking temperature and automatic timing.

NOTE

In the event of a power failure, the programmer will keep all the settings (time, programme setting or programme in operation) for about 3 minutes. If power fails for a longer time, all the settings will be cancelled. When the power is restored, the numbers in the display will flash, and the clock/timer has to be reset.

Special functions


The following functions can be activated by pressing two buttons at the same time:

- Child lock: press Oven functions button and button “-”
- Beep on touch: press Oven functions button and button “+”
- Demo mode: see the relevant instructions on page 14

When the oven is first installed





Remove all packaging, both inside and outside the oven including the advertising labels and any protective film, before using the oven.


When the oven is first connected to the electrical supply, the display will automatically show 12:00 and the symbol  will flash.

Ensure the correct time is set before using the oven.

To set the correct time of day

a) press Time functions button and, while the symbol  is flashing (Fig. 1), set the correct time by pressing buttons “-” or “+” (Fig. 2).

The time arrow symbol  will disappear about 5 seconds after the correct time is displayed (Fig. 3).



b) if the symbol  is not flashing anymore, press Time functions button twice.



Then, proceed as described in point a).

Before first use

The oven should be heated without food.

To do that, proceed as follows:

- press button  to switch on the oven.
- press Oven functions button twice and select the "Conventional Cooking" function  (Fig. 4).
- set the temperature to 250 °C using the increasing push button “+”.
- Allow the oven to run **empty** for approximately 45 minutes.
- open a window for ventilation.

This procedure should be repeated with the "Fan Cooking"  and "Full Grill"  function for approximately 5-10 minutes.



During this time, an unpleasant odour may be emitted. This is absolutely normal, and is caused by residues of manufacturing.

Once this operation is carried out, let the oven cool down, then clean the oven cavity with a soft cloth soaked in warm water to which a little mild washing-up liquid has been added.



Before cooking for the first time, carefully wash the shelves and the baking tray.



To open the oven door, always hold the handle in the centre (Fig. 5).

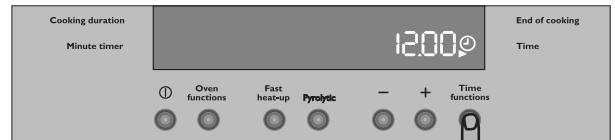


Fig. 1

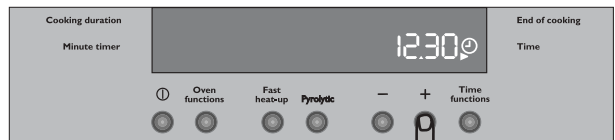


Fig. 2

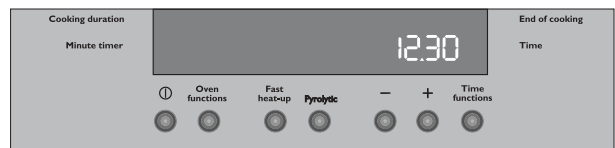


Fig. 3



Fig. 4

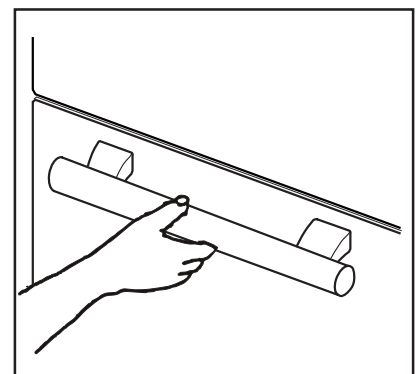


Fig. 5

"On/Off" Button

The oven must be switched on before setting any cooking function or programme. When button ① is pressed, the oven symbol will appear in the display, and the oven light will switch on.

To switch off the oven, you can press button ① at any time. Any cooking function or programme will stop, the oven light will switch off and the time display will show the time only. It is possible to switch off the oven at any time.

How to select a Cooking Function

1) Switch on the oven by pressing the ① button.
2) Press Oven functions button to select the required oven function. Each time Oven functions button is pressed, a cooking symbol will appear in the display and the corresponding cooking function number will appear to the left of the currently selected cooking function symbol (Fig. 6).

3) If the pre-set temperature is not suitable, press button “—” or “+” to adjust the temperature in 5 degree steps.

- as soon as the oven heats up, the thermometer symbol rises

slowly 🌡️, indicating the degree to which the oven is currently heated;

When the required temperature is reached, an acoustic alarm will sound for a short time and the thermometer symbol 🌡️ will illuminate permanently.

How to set the temperature and cooking time

Press button “—” and “+” to increase or decrease the pre-set temperature while the “🌡️” symbol is flashing (Fig. 7). The maximum temperature is 250°C.

Press button “—” and “+” to increase or decrease the pre-set cooking time while the symbol ▶ is flashing.

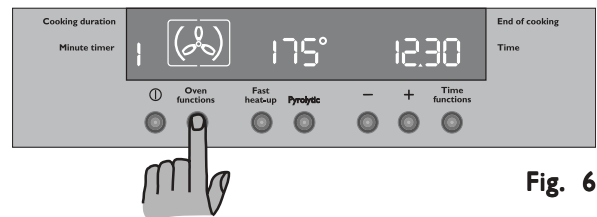


Fig. 6

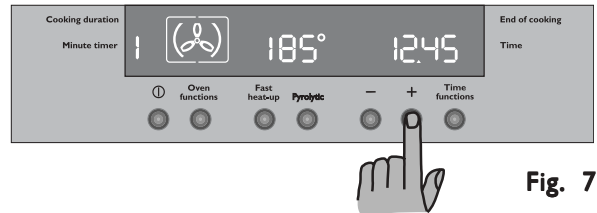














Fig. 7

Cooking Function Symbols

- 1  **Fan cooking** - This setting allows you to roast or roast and bake simultaneously using any shelf, without flavour transference. Pre-set temperature: 175 °C
- 2  **Conventional cooking** - The heat comes from both the top and bottom element, ensuring even heating inside the oven. Pre-set temperature: 200°C
- 3  **Full Grill** - The full grill element will be on. Recommended for large quantities. Pre-set temperature: 250 °C
- 4  **Inner Grill** - can be used for grilling small quantities. Pre-set temperature: 250 °C
- 5  **Thermal Grilling** - This function offers an alternative method of cooking food items, normally associated with conventional grilling. The grill element and the oven fan operate together, circulating hot air around the food. Pre-set temperature: 180 °C
Select a maximum temperature of 200°C.
- 6  **Pizza Oven** - The bottom element provides direct heat to the base of pizzas, quiches or pies, while the fan ensures air is circulated to cook the pizza toppings or pie fillings. Pre-set temperature: 175 °C
- 7  **Bottom heating element** - The heat comes from the bottom of the oven only, to allow you to finish your dishes. Pre-set temperature: 250 °C
- 8  **Top heating element** - The heat comes from the top of the oven only, to allow you to finish your dishes. Pre-set temperature: 250 °C
- 9  **Defrosting** - The oven fan operates without heat and circulates the air, at room temperature, inside the oven. This function is particularly suitable for defrosting delicate food which could be damaged by heat, e.g. cream filled gateaux, iced cakes, pastries, bread and other yeast products.
- 10  **Pyrolytic cleaning** - This function allows you to clean thoroughly the oven cavity.

Using the Oven

 **Always cook with the oven door closed. Stand clear when opening the oven door.**

 **Before activating any cooking function make sure the oven door is completely closed as the heating elements do not work.**

The oven has four shelf levels. The shelf positions are counted from the bottom of the oven as shown in the diagram. Shelf levels 2 and 4 are fitted with telescopic shelf supports, to allow an easier operation when inserting or removing the shelves.

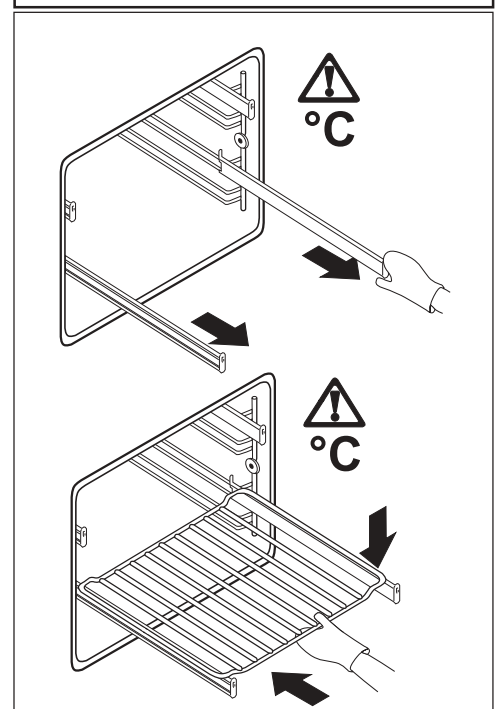
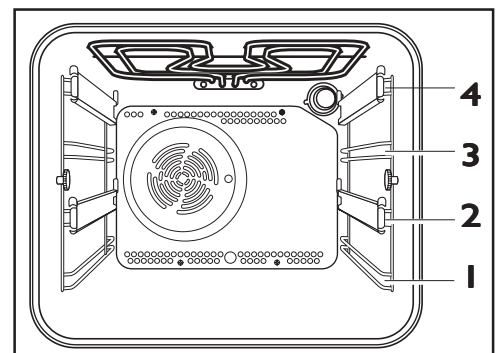
Pull the right and left hand telescopic shelf supports completely out.

Place the shelf or the grill pan on the telescopic shelf supports, then gently push them all inside the oven (see diagram).

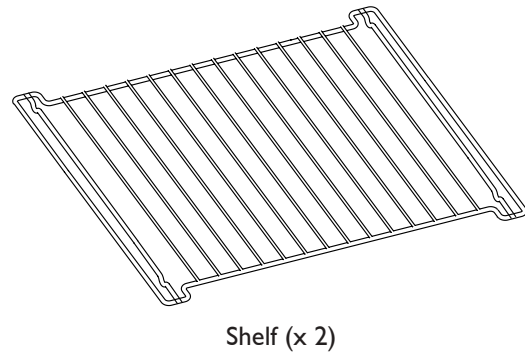
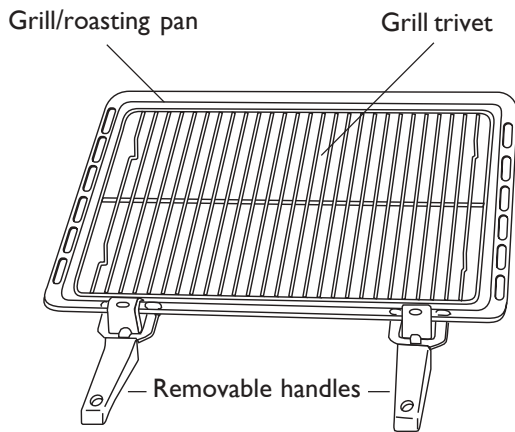
Do not attempt to close the oven door if the telescopic shelf supports are not completely inside the oven. This could damage the door enamel and glass.

 **Do not place cookware directly on the oven base.**

Do not cover any part of the oven with aluminium foil while cooking, as this could cause a heat build-up which would affect the baking results and damage the oven enamel. Always place pans, heat-resisting pans and aluminium trays on the shelf which has been inserted in the shelf runners.



Oven accessories



i Hints and Tips

Condensation and steam

Condensation and Steam

The oven is supplied with an exclusive system which produces a natural circulation of air and the constant recycling of steam. This system makes it possible to cook in a steamy environment and keep the dishes soft inside and crusty outside. Moreover, the cooking time and energy consumption are reduced to a minimum. During cooking steam may be produced which can be released when opening the oven door. This is absolutely normal.

! Always stand back from the oven when opening the oven door during cooking or at the end of it to allow any build up of steam or heat to release.

i When food is heated, it produces steam in the same way as a boiling kettle does. When steam comes in contact of the oven door glass, it will condense and produce water droplets.

To reduce condensation, ensure the oven is well heated before placing food in the oven cavity. A short oven pre-heating (about 10 minutes) will then be necessary before any cooking.

We recommend you to wipe away condensation after each use of the appliance.

Cookware

- Use any oven proof cookware which will withstand temperatures of 250°C.
- Baking trays, oven dishes, etc. should not be placed directly against the grid covering the fan at the back of the oven, or placed on the oven base.
- Do not use baking trays larger than 30 cm x 35 cm (12 in x 14 in) as they will restrict the circulation of heat and may affect performance.

The effects of dishes on cooking results

Dishes and tins vary in their thickness, conductivity, colour, etc. which affects the way they transmit heat to the food inside them.

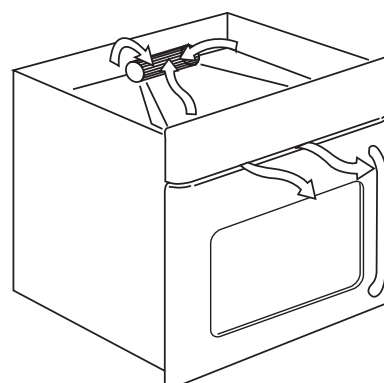
- A** Aluminium, earthenware, oven glassware and bright shiny utensils reduce cooking and base browning.
- B** Enamelled cast iron, anodised aluminium, aluminium with non-stick interior and coloured exterior and dark, heavy utensils increase cooking and base browning.

The Safety Thermostat

This oven is provided with a safety thermostat. In case of malfunctioning of the main thermostat, and consequent overheating, the safety device will stop the power supply to the appliance. If this happens, call your local Repair agent. Under no circumstances should you attempt to repair the appliance yourself.

The Cooling Fan

This oven is provided with a cooling fan, meant to keep the front panel, the knobs and the oven door handle cool. The fan switches on automatically after a few minutes of cooking. Warm air is blown out through vents between the oven door and the control panel, as shown in the diagram. When the oven is switched off, the fan will remain on in order to keep the controls cool, after which it switches off automatically. This is quite normal.



Programming the Oven

How to set the minute timer

- 1) Press Time functions button to select the Minute timer function (Fig. 8). The relevant 🔔 symbol will flash and the control panel will display "0.00".
- 2) Press button "+" to select the required time. Maximum time is 23 hours 59 minutes. After it has been set, the Minute timer will wait 3 seconds and then start running.
- 3) When the programmed time has elapsed, an acoustic alarm will be heard.
- 4) To switch off the acoustic alarm, press button ①.

i The oven will NOT switch off if in use.
The Minute timer function can also be used as well when the oven is off.

To use or to change the Minute timer setting:

press Time functions button until the symbols 🔔 and ▶ flash.

It is now possible to change the Minute timer setting by pressing button "-" or "+".

To cancel the Minute timer:

press Time functions button until the symbols 🔔 and ▶ flash.

Press button "-" to decrease the time until "0.00" is displayed (Fig. 9).

To programme the Oven to switch On and Off

- 1) Place food in the oven, switch on the oven, select a cooking function and adjust the cooking temperature, if required (Fig. 10).
- 2) Press Time functions button to select the "Cooking Duration" function (Fig. 11). The "Cooking Duration" symbol |→| will flash and the control panel will display "0.00".
- 3) While the symbol ▶ is flashing, press button "+" to select the required time. Maximum time is 23 hours 59 minutes. The programmer will wait 3 seconds and then start running.
- 4) When cooking time is over, the oven will be switched off automatically and an acoustic alarm will be heard while the control panel will display "0.00".
- 5) To switch off the acoustic alarm, press button ①.

To cancel the Cooking Duration Time:

- press Time functions button until the symbol ▶ will flash.
- press button "-" to decrease the time until "0.00" is displayed (Fig. 12).

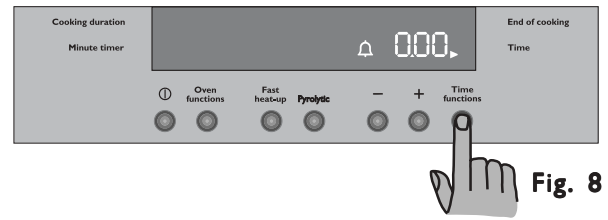


Fig. 8

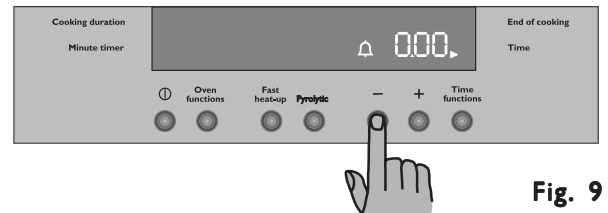


Fig. 9

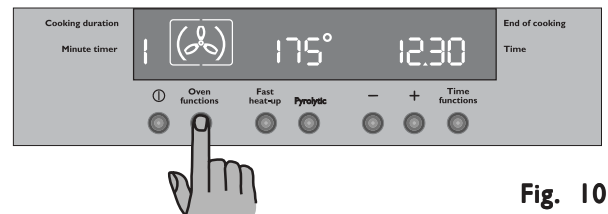


Fig. 10

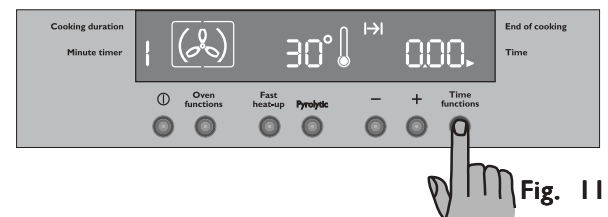


Fig. 11

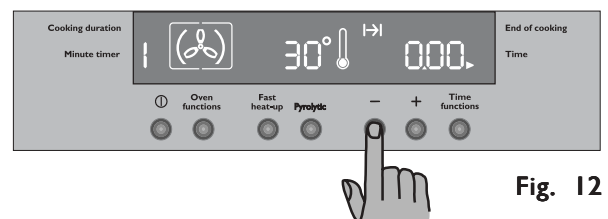


Fig. 12

To Programme the Oven to Switch Off

- 1) Carry out the "Cooking Duration" setting as described in the relevant chapter.
- 2) Press Time functions button until the "End of Cooking" function → is selected and the relevant symbol flashes. The control panel will display the end of cooking time (that is, the actual time + cooking duration time - Fig. 13).
- 3) Press button "+" to select the required end of cooking time.
- 4) After this is set, the programmer will wait 3 seconds and then start running.
- 5) The oven will switch on and off automatically. The end of cooking will be marked by an acoustic alarm.
- 6) To switch off the acoustic alarm, press button ①.

To cancel the programme, simply cancel the Duration Time.

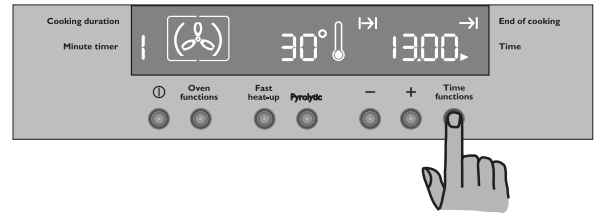


Fig. 13

Safety and Energy Saving Functions

Safety Cut-Off Function

The oven is supplied with an automatic cut-off function. If a cooking time has not been set and no change of setting has been made, the oven will switch off automatically according to the table below (Fig. 14).

If temperature setting is:	the oven will switch off:
250°C	after 3 hours
from 200 up to 245°C	after 5,5 hours
from 120 up to 195°C	after 8,5 hours
less than 120°C	after 12 hours

Residual Heat Function

When a Cooking Duration time is set, the oven will automatically switch off a few minutes before the end of the programmed time, and use the residual heat to finish your dishes without energy consumption. All current settings will be displayed until the Cooking Duration time is over.

This function will not operate when the Cooking Duration time is less than 15 minutes.

Child Safety Function

To avoid children switching on the oven, it is possible to lock the oven controls.

- 1) Turn off the oven by pressing button ①.
- 2) Press Oven functions and "—" buttons at the same time and keep them pressed for about 3 seconds. An acoustic signal will be emitted and the indication 'SAFE' will appear on the display (Fig. 15).
- 3) The oven is now locked. Neither oven functions nor temperatures can be selected.

To unlock the oven:

Press Oven functions and "—" buttons at the same time and keep them pressed for about 3 seconds. An acoustic signal will be emitted and the indication 'SAFE' will go off. The oven can now be operated (Fig. 16).

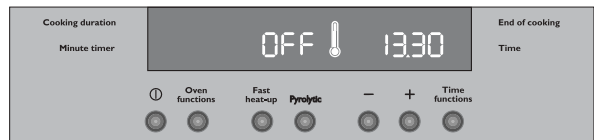


Fig. 14

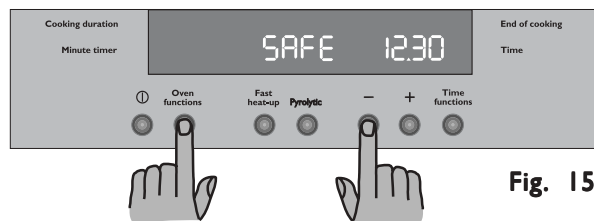


Fig. 15

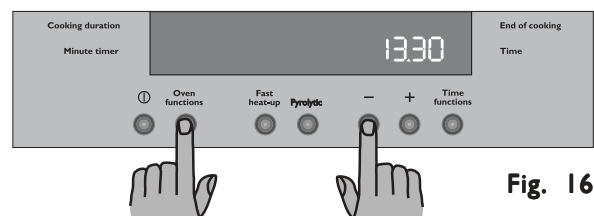


Fig. 16

Fast Heat-up function

After a cooking function has been selected and the temperature has been adjusted, the cavity will gradually heat up until the selected temperature is reached. This will take from 10 to 15 minutes, depending on selected function and temperature. If it is necessary to reach the required temperature in a shorter time, the Fast Heat-up function can be used.

- 1) Switch the oven on by pressing button ①.
- 2) Set the required cooking function and temperature as explained in the previous pages.
- 3) Set the temperature by pressing button “-” or “+”. The temperature will appear on the display.
- 4) Press Fast heat-up button. The temperature display will show "FHU" (Fig. 17).
- 5) press Oven functions button and the symbol “•” will flash for approximately 10 seconds. Now it is possible to select the required temperature by pressing button “-” or “+”.
- 4) When the required temperature is reached, an acoustic alarm will sound for a short time, and the temperature display will revert to the set temperature.

This function can be used with any cooking function or temperature.

Demo mode

This mode is intended to be used in the shops to demonstrate the oven functionality without any power consumption except the oven lamp, the display and the oven fan.

This function can only be switched on when the appliance is connected to the electrical supply for the first time. If there is a power failure, when the power supply is restored again, the Demo mode can only be switched on if in the display 12:00 and the symbol ⏰ are flashing.

- 1) Press button Time functions for approximately 2 seconds. An acoustic alarm will sound for a short time.
- 2) Press buttons Time functions and “-” at the same time. A short acoustic alarm will be heard and the indication 12:00 will appear in the display (Fig. 18).

When the oven is switched on, the symbol ⏰ appears in the display. This means that the Demo mode is activated. All oven functions can be selected. The oven is not really working as the heating elements do not switch on.

Switch off the oven and follow the above described procedure to disable the demo mode.

i The Demo function remains saved in the programme in the event of a power failure.

Error code

The electronic programmer does a continuous diagnostic check of the system. If some parameters are not correct, the control unit will stop the activated functions and it will show on the display the corresponding error code (letter F followed by digits).

For further details, refer to chapter "Something not working" on page 27.

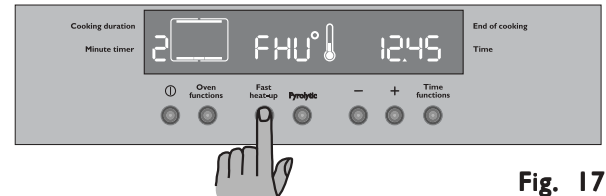


Fig. 17

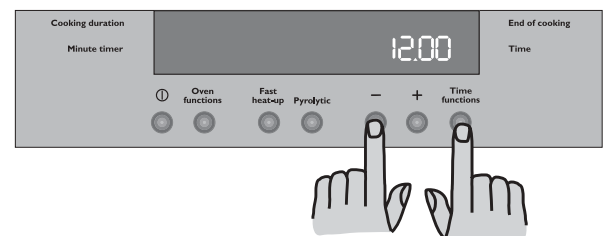


Fig. 18

"Beep" Mode

You can choose to make the Electronic Control beep each time that a control is touched.

To enable this function, the oven must be off.

- 1) Press buttons Oven functions and “+” at the same time for about 3 seconds. The Electronic Control beeps once.

To disable the "Beep" Function:

- 1) If the oven is on, press button ① to switch it off.
- 2) Press buttons Oven functions and “+” at the same time for about 3 seconds. The Electronic Control beeps once.

The Fan Oven

The air inside the oven is heated by the element around the fan situated behind the back panel. The fan circulates hot air to maintain an even temperature inside the oven.

The advantages of cooking with this function are:

- **Faster Preheating**

As the fan oven quickly reaches temperature, it is not usually necessary to preheat the oven although you may find that you need to allow an extra 5-7 minutes on cooking times. For recipes which require higher temperatures, best results are achieved if the oven is preheated first, e.g. bread, pastries, scones, souffles, etc.

- **Lower Temperatures**

Fan oven cooking generally requires lower temperatures than conventional cooking.


Follow the temperatures recommended in the cooking chart. Remember to reduce temperatures by about 20-25 °C for your own recipes which use conventional cooking.

- **Even Heating for Baking**

The fan oven has uniform heating on all shelf positions. This means that batches of the same food can be cooked in the oven at the same time. However, the top shelf may brown slightly quicker than the lower one.

This is quite usual. There is no mixing of flavours between dishes.



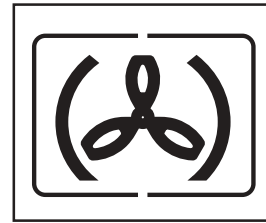
1. Switch the oven on.
2. Select the Fan cooking function by pressing the Oven functions button until the symbol  appears in the display.
3. If necessary adjust temperature setting using the “+” or “-” buttons.

THINGS TO NOTE

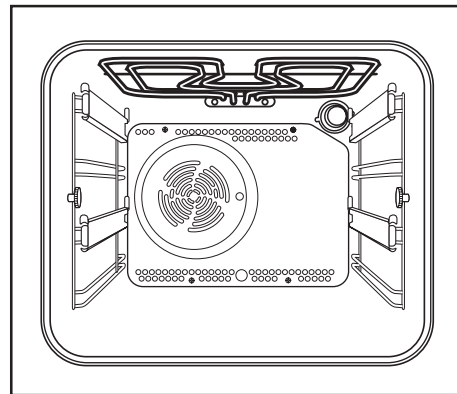
- The oven light will come on when the oven is switched on.
- The cooling fan will operate continually during cooking. It may run on after the oven is switched off to keep the controls cool. This is quite normal.

NOTE

The action of the cooling fan will depend on how long the oven has been used and at what temperature. It may not switch on at all at lower temperature settings nor run on where the oven has only been used for a short time.



FAN OVEN FUNCTION SYMBOL
PRE-SET TEMPERATURE: 175°C
TEMPERATURE SELECTION: 30°C - 250°C



Hints and Tips

Shelf positions are not critical, but make sure the shelves are evenly spaced.

When cooking more than one dish in the fan oven, place dishes centrally on the shelves rather than several dishes on one shelf.

When the oven is full, you may need to allow a slightly longer cooking time.

A shelf may be placed on the floor of the oven. Place dishes on a shelf in this position rather than on the oven base, to allow air circulation around the food.

When the oven is full of the same food, e.g. equal trays of small cakes or equal size victoria sandwich cakes, then they will be cooked in the same time and removed from the oven together. When different sizes of trays or types of food, e.g. biscuits and cakes are cooked, they will not necessarily be ready together.

The fan oven can be used to heat foods through without thawing first, e.g. fruit tarts, mince pies, sausage rolls, and other small pastry items. Use a temperature of 190-200 °C and allow 20-40 minutes (depending on the quantity of food in the oven).

The use of too high temperatures can cause uneven browning. Check with the recommendations for oven temperatures given in the cooking charts, but be prepared to adjust the temperature by 10°C if necessary. Remember to reduce temperatures by about 20-25°C for your own conventional recipes.


The meat tin **should not** be placed on a heated hotplate or burner as this may cause the enamel to crack.

The Conventional Oven

When using this setting, heat comes from both the top and bottom elements. This allows you to cook on a single level and is particularly suitable for dishes which require extra base browning such as quiches and flans.

Gratins, lasagnes and hotpots which require extra top browning also cook well in the conventional oven. This form of cooking gives you the opportunity to cook without the fan in operation.

How to Use the Conventional Oven

1. Switch the oven ON.
2. Select the Conventional cooking function by pressing the Oven functions button until the symbol  appears in the display.
3. If necessary adjust temperature setting using the “+” or “-” buttons.

Bottom oven element only

This function is particularly useful when blind-baking pastry. It may also be used to finish off quiches or flans to ensure the base pastry is cooked through.

Pre-set temperature is 250°C.

Top oven element only

This function is particularly useful to finish off quiches or flans to ensure the top pastry is cooked through.

Pre-set temperature is 250°C.

THINGS TO NOTE

During cooking, the cooling fan will operate in the same way as described for the fan oven function.

Hints and Tips

The middle shelf position allows for the best heat distribution. To increase base browning simply lower the shelf position. To increase top browning, raise the shelf position.

The material and finish of the baking trays and dishes used will affect base browning. Enamelware, dark, heavy or non-stick utensils increase base browning, while oven glassware, shiny aluminium or polished steel trays reflect the heat away and give less base browning.

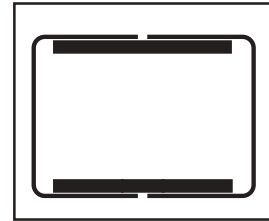
Always place dishes centrally on the shelf to ensure even browning.

Stand dishes on suitably sized baking trays to prevent spillage onto the base of the oven and make cleaning easier.

Do not place dishes, tins or baking trays directly on the oven base as it becomes very hot and damage will occur.

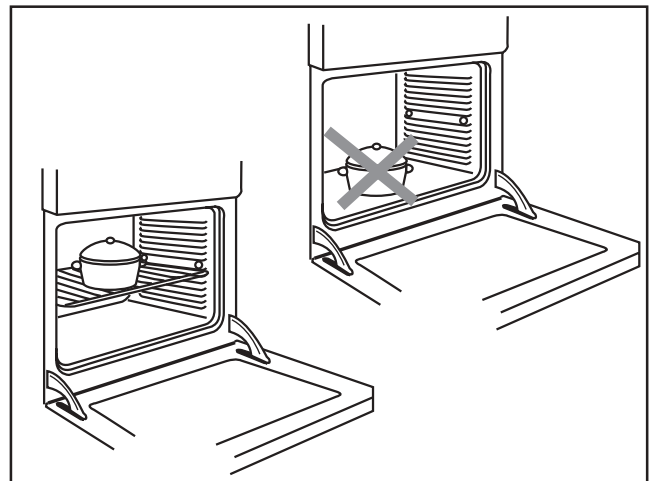
For faster preheating use the Fast Heat-Up Function.

Single level cooking gives best results. If you require more than one level cooking use the fan oven function.








CONVENTIONAL OVEN FUNCTION SYMBOL

PRE-SET TEMPERATURE: 200°C
TEMPERATURE SELECTION: 30°C - 250°C



Cooking Chart- Conventional and Fan Oven

i This chart is intended as a guide only. It may be necessary to increase or decrease the temperature to suit your individual requirements. Only experience will enable you to determine the correct setting for your personal requirements. Cooking times do not include pre-heating time. A short oven pre-heating (about 10 minutes) is necessary before any cooking.

Weight (gr.)	TYPE OF DISH	Conventional Cooking 		Fan Cooking 		Cooking time  minutes	NOTES
		Level 	temp. °C	Level 	temp. °C		
	CAKES						
	Whisked recipies	2	170	2 (1 and 3)*	160	45 ~ 60	In cake mould
	Shortbread dough	2	170	2 (1 and 3)*	160	20 ~ 30	In cake mould
	Butter-milk cheese cake	1	175	2	165	60 ~ 80	In cake mould
	Apple cake	1	170	2	160	90 ~ 120	In cake mould
	Strudel	2	180	2	160	60 ~ 80	
	Jam-tart	2	190	2 (1 and 3)*	180	40 ~ 45	
	Fruit cake	2	170	2	150	60 ~ 70	In bread tin
	Sponge cake	1	170	2 (1 and 3)*	165	30 ~ 40	In cake mould
	Christmas cake	1	150	2	150	120 ~ 150	In cake mould
	Plum cake	1	175	2	160	50 ~ 60	In bread tin
	Small cakes	3	170	2	160	20 ~ 35	In baking tray
	Biscuits	2	160	2 (1 and 3)*	150	20 ~ 30	In baking tray
	Meringues	2	135	2 (1 and 3)*	150	60 ~ 90	In baking tray
	Buns	2	200	2	190	12 ~ 20	In baking tray
	Pastry: Choux	2 or 3	210	2 (1 and 3)*	170	25 ~ 35	In baking tray
	BREAD AND PIZZA						
1000	White bread	1	195	2	185	60 ~ 70	1-2 pieces
500	Rye bread	1	190	1	180	30 ~ 45	In bread tin
500	Bread rolls	2	200	2 (1 and 3)*	175	25 ~ 40	6-8 rolls
250	Pizza	2	200	2	200	20 ~ 30	on baking tray
	FLANS						
	Pasta flan	2	200	2 (1 and 3)*	175	40 ~ 50	in mould
	Vegetable flan	2	200	2 (1 and 3)*	175	45 ~ 60	in mould
	Quiches	1	200	2 (1 and 3)*	180	35 ~ 45	in mould
	Lasagne	2	200	2	200	25 ~ 35	in mould
	Cannelloni	2	200	2	200	25 ~ 35	in mould
	MEAT						
1000	Beef	2	190	2	175	50 ~ 70	On grid
1200	Pork	2	180	2	175	100 ~ 130	On grid
1000	Veal	2	190	2	175	90 ~ 120	On grid
1500	English roast beef						
1500	rare	2	210	2	200	50 ~ 60	On grid
1500	medium	2	210	2	200	60 ~ 70	On grid
1500	well done	2	210	2	200	70 ~ 80	On grid
2000	Shoulder of pork	2	180	2	170	120 ~ 150	With rind
1200	Shin of pork	2	180	2	160	100 ~ 120	2 pieces
1200	Lamb	2	190	2	175	110 ~ 130	Leg
1000	Chicken	2	190	2	200	70 ~ 85	Whole
4000	Turkey	2	180	2	160	210 ~ 240	Whole
1500	Duck	2	175	2	220	120 ~ 150	Whole
3000	Goose	2	175	1	160	150 ~ 200	Whole
1200	Rabbit	2	190	2	175	60 ~ 80	Cut in pieces
1500	Hare	2	190	2	175	150 ~ 200	Cut in pieces
800	Pheasant	2	190	2	175	90 ~ 120	Whole
	Meat loaf	2	180	2	160	40 ~ 60	in bread pan
	FISH						
1200	Trout/Sea bream	2	190	2 (1 and 3)*	175	40 ~ 55	3-4 fishes
1500	Tuna fish/Salmon	2	190	2 (1 and 3)*	175	35 ~ 60	4-6 fillets

(*) If you need to cook more than one dish at the same time, we recommend you to place them on the levels quoted between brackets. Shelf positions are counted from bottom of the oven.

If you wish to cook more than one dish at the same time, we suggest that you change the cooking levels of your dishes during the last 5-10 minutes in order to obtain a more uniform colour of your dishes.

Grilling




Grilling must be carried out with the oven door closed.

The grill pan handles must be removed from the pan during grilling. Always use oven gloves to remove and replace the grill pan handles.

Ensure that you support the grill pan when removing it from the oven.

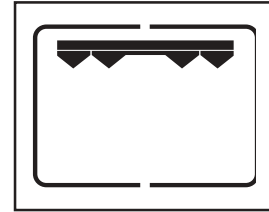


How to Use the Full Grill

1. Switch the oven ON.
2. Select the Full Grill cooking function by pressing the Oven functions button until the symbol  appears in the display.
3. If necessary adjust temperature setting using the “+” or “-” buttons.
4. Adjust the grid and grill pan runner position to allow for different thicknesses of food. Position the food close to the element for faster cooking and further away for more gentle cooking.

Preheat the grill on a full setting for a few minutes before sealing steaks or toasting. Adjust the heat setting and the shelf as necessary, during cooking.

During cooking, the cooling fan and the thermostat control light will operate in the same way as described for the fan oven function.




FULL GRILL FUNCTION SYMBOL
PRE-SET TEMPERATURE: 250°C
TEMPERATURE SELECTION: 200°C - 250°C

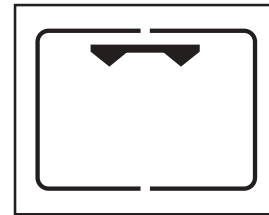


How to Use the Inner Grill

Element

The inner grill provides quick direct heat to the central area of the grill pan. Use the inner grill element for cooking small quantities, it can help to save energy.

1. Switch the oven ON.
2. Select the Inner Grill cooking function by pressing the Oven functions button until the symbol  appears on the display.
3. If necessary adjust temperature setting using the “+” or “-” buttons.
4. Adjust the grid and grill pan runner position to allow for different thicknesses of food and follow the instructions for grilling.



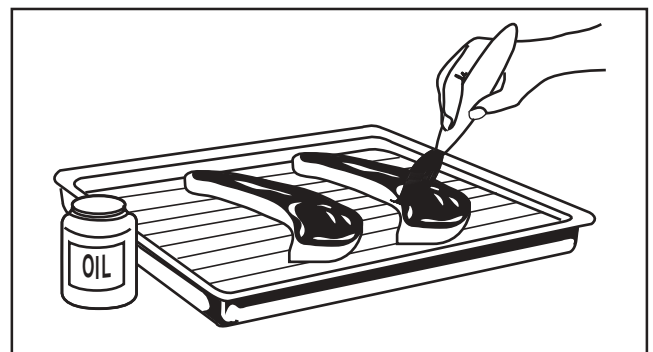
INNER GRILL ELEMENT SYMBOL
PRE-SET TEMPERATURE: 250°C
TEMPERATURE SELECTION: 200°C - 250°C



Hints and Tips

- Most foods should be placed on the grid in the grill pan to allow maximum circulation of air to lift the food out of the fats and juices. Food such as fish, liver and kidneys may be placed directly on the grill pan, if preferred.
- Food should be thoroughly dried before grilling to minimise splashing. Brush lean meats and fish lightly with a little oil or melted butter to keep them moist during cooking.
- Accompaniments such as tomatoes and mushrooms may be placed underneath the grid when grilling meats. When toasting bread, we suggest that the top runner position is used. The food should be turned over during cooking, as required.


The grill element is controlled by the thermostat. During cooking, the grill cycles on and off to prevent overheating.

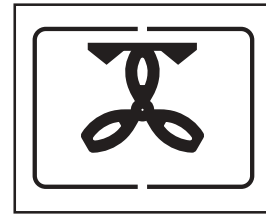


How to Use the Thermal Grill

Thermal grilling offers an alternative method of cooking food items normally associated with conventional grilling. The grill element and the oven fan operate together, circulating hot air around the food. The need to check and turn the food is reduced. Thermal grilling helps to minimise cooking smells in the kitchen.

With the exception of toast and rare steaks, you can thermally grill all the foods you would normally cook under a conventional grill. Cooking is more gentle, therefore food generally takes a little longer to cook with thermal grilling compared with conventional grilling. One of the advantages is that larger quantities can be cooked at the same time.

1. Switch the oven ON.
2. Select the Thermal Grill cooking function by pressing the Oven functions button until the symbol  appears on the display.
3. If necessary, press “+” or “-” buttons. to adjust the temperature setting.
4. Adjust the grid and grill pan runner position to allow for different thicknesses of food and follow the instructions for grilling.




THERMAL GRILLING
PRE-SET TEMPERATURE: 180°C
TEMPERATURE SELECTION 30°C - 200°C
DO NOT EXCEED 200°C

Hints and Tips


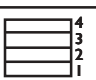
Prepare foods in the same way as for conventional grilling. Brush lean meats and fish lightly with a little oil or butter to keep them moist during cooking.

Cooking Chart - Grilling

A general guide to cooking times is given below but these times may vary slightly depending on the thickness and quantity of food being cooked.

 **Cooking times do not include pre-heating time. A short oven pre-heating (about 10 minutes) is necessary before any cooking.**

Grilling -

TYPE OF DISH	Quantity		Grilling		Cooking time  (minutes)	
	Pieces	Weight	Level 	temp. °C	Upper side	Lower side
Fillet steaks	4	800	3	250	12 ~ 15	12 ~ 14
Beef-steaks	4	600	3	250	10 ~ 12	6 ~ 8
Sausages	8	—	3	250	12 ~ 15	10 ~ 12
Pork chops	4	600	3	250	12 ~ 16	12 ~ 14
Chicken (cut in two)	2	1000	3	250	30 ~ 35	25 ~ 30
Kebabs	4	—	3	250	10 ~ 15	10 ~ 12
Chicken (breast)	4	400	3	250	12 ~ 15	12 ~ 14
Hamburger	6	600	2	250	10 ~ 15	8 ~ 10
Fish (fillets)	4	400	3	250	12 ~ 14	10 ~ 12
Sandwiches	4-6	—	3	250	5 ~ 7	—
Toast	4-6	—	3	250	2 ~ 4	2 ~ 3


Thermal grilling (Select a maximum temperature of 200°C)

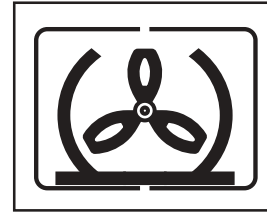
TYPE OF DISH	Quantity (gr.)	Shelf level	Temp. °C	Time in minutes	
				lower side	upper side
Rolled joints (turkey)	1000	3	200	30 ~ 40	20 ~ 30
Chicken (cut in two)	1000	3	200	25 ~ 30	20 ~ 30
Chicken legs	—	3	200	15 ~ 20	15 ~ 18
Quail	500	3	200	25 ~ 30	20 ~ 25
Vegetable gratin	—	3	200	20 ~ 25	—
St. Jacques shells	—	3	200	15 ~ 20	—
Mackerel	—	3	200	15 ~ 20	10 ~ 15
Fish slices	800	3	200	12 ~ 15	8 ~ 10

Pizza Oven

The bottom element provides direct heat to the base of pizzas, quiches or pies, while the fan ensures air is circulated to cook the pizza toppings or pie fillings.


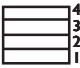
To obtain the best results use the lower shelf levels.

1. Switch the oven ON.
2. Select the Pizza Oven cooking function by pressing the Oven functions button until the symbol  appears on the display.
3. If necessary, press “+” or “-” buttons to adjust the temperature setting.



PIZZA OVEN FUNCTION SYMBOL
PRE-SET TEMPERATURE: 175°C
TEMPERATURE SELECTION: 30°C - 250°C

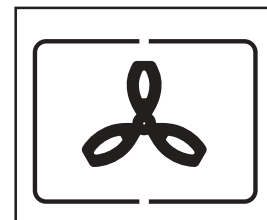
Cooking Chart - Pizza Oven

Weight (gr.)	TYPE OF DISH	Pizza function		Cooking time  minutes	NOTES
		Level 	temp. °C		
700	Pizza, large	I	200	15 ~ 25	on baking tray
500	Pizza, small	I	200	10 ~ 20	on baking tray or on grid
500	Bread rolls	I	200	15 ~ 25	on baking tray

The times quoted above are given as a guide and should be adjusted to suit personal taste. We recommend to pre-heat the oven for about 10 minutes before cooking.



Defrosting

The oven fan operates without heat and circulates the air, at room temperature, inside the oven. This increases the speed of defrosting. However, please note that the temperature of the kitchen will influence the speed of defrosting. This function is particularly suitable for defrosting delicate food which could be damaged by heat, e.g. cream filled gateaux, iced cakes, pastries, bread and other yeast products.



DEFROSTING FUNCTION SYMBOL
TEMPERATURE SETTING CANNOT BE CHANGED

How to Use Defrosting

- 1) Switch the oven on by pressing button .
- 2) Select the Defrosting Oven Function by pressing the Oven functions button until the symbol  appears in the display.
- 3) The display will show the indication “def”.

Hints and Tips

- Cover food with a lid, aluminium foil or plastic film to prevent drying out during defrosting.
- ALWAYS COOK THOROUGHLY IMMEDIATELY AFTER THAWING.
- Frozen food should be placed in a single layer when ever possible and turned over half way through the defrosting process.
- Only joints of meat and poultry up to 2 kg. (4 lb.) are suitable for defrosting in this way.

Cleaning the Oven



Before cleaning always allow the cooling fan to cool the oven down before switching off at the electricity supply.

This appliance cannot be cleaned with steam or with a steam cleaning machine.

The oven should be kept clean at all times. A build-up of fats or other foodstuffs could result in a fire, especially in the grill pan.

Cleaning materials

Before using any cleaning materials on your oven, check that they are suitable and that their use is recommended by the manufacturer.

Cleaners that contain bleach should NOT be used as they may dull the surface finishes. Harsh abrasives should also be avoided.

External cleaning

Regularly wipe over the control panel, oven door and door seal using a soft cloth well wrung out in warm water to which a little mild washing-up liquid has been added.



To prevent damaging or weakening the door glass panels avoid the use of the following:

- Household detergent and bleaches
- Impregnated pads unsuitable for non-stick saucepans
- Brillo/Ajax pads or steel wool pads
- Chemical oven pads or aerosols
- Rust removers
- Bath/Sink stain removers

Clean the outer and inner door glass using warm soapy water. Should the inner door glass become heavily soiled it is recommended that a cleaning product such as Hob Brite is used. Do not use paint scrapers to remove soilage.



DO NOT clean the oven door while the glass panels are warm. If this precaution is not observed the glass panel may shatter.

If the door glass panel becomes chipped or has deep scratches, the glass will be weakened and must be replaced to prevent the possibility of the panel shattering. Contact your local Repair agent who will be pleased to advise further.

Oven Shelves

To clean the oven shelves, soak in warm soapy water and remove stubborn marks with a well wetted soap impregnated pad. Rinse well and dry with a soft cloth.

When cleaning the shelf supports, take care not to remove the lubricating grease behind the telescopic runners. This is meant to ensure their good operation.

Pyrolytic cleaning

The oven cavity is coated with a special enamel resistant to high temperatures.

During the pyrolytic cleaning operation, the temperature inside the oven can reach about 500°C thus burning food residuals.

For your security, during the pyrolytic cleaning operation, the oven door automatically locks when the temperature inside the oven approaches about 300°C.

Upon completion of the cleaning operation, the oven door will be locked until the oven cavity has cooled down.

The cooling fan operates during cooking until the oven has cooled down. After cooking, it is advisable to remove all the food residues with a wet sponge.


However, from time to time, it will be necessary to do a more complete and thorough cleaning, using the pyrolytic cleaning function. You can select two different levels of pyrolytic cleaning depending on how dirty the oven is.

If the oven cavity is not very dirty, we recommend that you select the pyrolytic 1 function (P 1) in the programmer display. It is advisable to wipe the oven over with a soft sponge soaked in warm water after each pyrolytic cleaning cycle is carried out.


If the oven cavity is very dirty, we advise you to select the pyrolytic 2 function (P 2) in the programmer display.


During the pyrolytic cleaning function, it is not possible to use the oven for 2 hours when selecting the pyrolytic 1 function (P 1) and up to 2 1/2 hours when the pyrolytic 2 function (P 2) is active.

How to use the pyrolytic cleaning function

 Before activating the pyrolytic cleaning function, remove any excessive spillage and make sure that the oven is empty. Do not leave anything inside it (e.g. pans, grids, baking tray, dripping pan, etc.) as this could heavily damage them.

 Ensure that the oven door is closed before activating the pyrolytic cleaning function.

 When the pyrolytic cleaning function is on, it is advisable not to use a hob if it is fitted above the oven. This could cause overheating and damage to both appliances.

 During the pyrolytic cleaning cycle the oven door becomes hot. Children should be kept away until it has cooled.

Before activating the pyrolytic cleaning function, remove the shelf supports.

To remove the oven shelves and the shelf supports proceed as follows:

- 1) remove the front screw while keeping the shelf support in position with the other hand (see diagram 1);
- 2) disengage the rear hook and take off the shelf support (see diagram 2);
- 3) once the cleaning is carried out, refit the shelf supports following the procedure in reverse.

Please, ensure the retaining nuts are secure when refitting the shelf support.



The following pyrolytic levels are available:

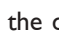
Pyrolytic 1 (P 1) time : 2 h = 30 min heat-up + 1 h at 480°C + 30 min cooling down.

Pyrolytic 2 (P 2) time : 2 h 30 min. = 30 min heat-up + 1 h 30 min at 480°C + 30 min cooling down.

 The pyrolytic duration time cannot be changed.

 To activate the pyrolytic cleaning function proceed as follows:

1. Press button  to switch on the oven. Press the Oven functions button as often as necessary until the pyrolytic function symbol  (level 1 - P 1) appears in the display (Fig. 19).

Simultaneously the symbol indicating the shelf supports  and the “Pyro” writing will flash in the display and an acoustic signal will be emitted (Fig. 20).

This means that, before activating the pyrolytic cleaning function, you have to remove the shelf supports and all the oven accessories (see instructions above mentioned).

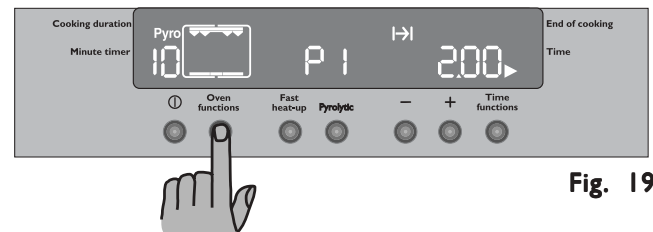
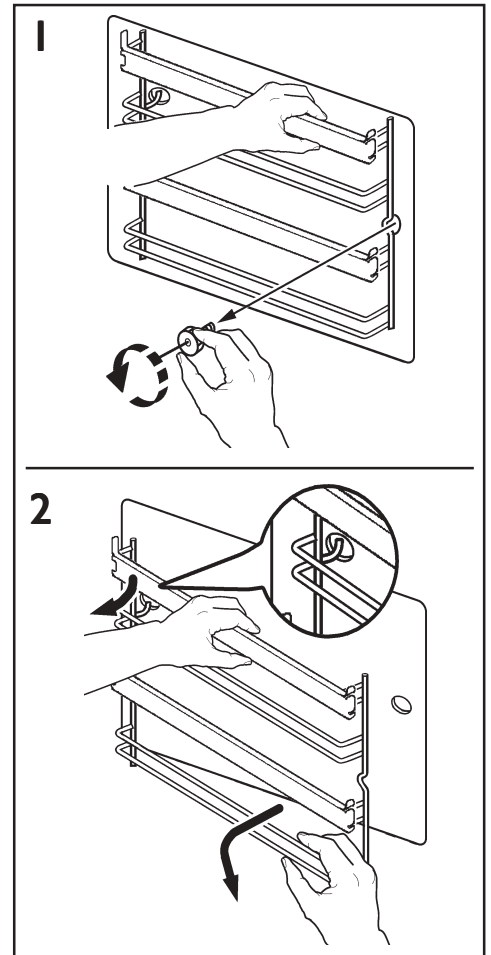


Fig. 19

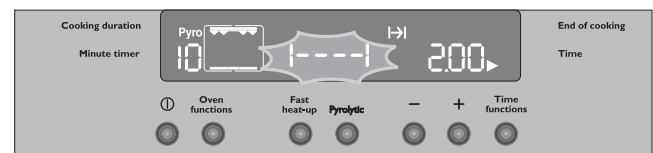


Fig. 20

- The Cooking Duration symbol $\left| \rightarrow \right|$ will flash for 5 seconds; during this time push “-” or “+” buttons to select the pyrolytic 1 (P 1) or pyrolytic 2 (P 2) function (Fig. 21).
- Once you have chosen the desired pyrolytic function (P 1 or P 2), the “Pyro” writing will flash in the display waiting for confirmation to start the pyrolytic cleaning function.
- To confirm which pyrolytic function you desire, press the Pyrolytic button. The “Pyro” writing will stop flashing and the symbol $\left| - - - \right|$ will disappear, the acoustic signal will stop, the oven lamp will switch off and the pyrolytic cleaning cycle starts (Fig. 22).
- As soon as the oven heats up, the thermometer symbol \uparrow , indicating that the temperature inside the oven is increasing.
- After some time, the door lock will be activated and the related symbol $\left\langle \text{key} \right\rangle$ will be displayed (Fig. 23). At this time the Oven functions button is no more active.

At the end of the pyrolytic cleaning process, the display shows the time. The oven door is locked.

Once the oven has cooled down, an acoustic signal will be emitted and the door will unlock.

To stop the pyrolytic cleaning cycle at any time, press button \textcircled{i} .

NOTE: The time indication is inclusive of the cooling down time.

- i** If you select a cooking function while the pyrolytic function is active, the cleaning cycle will be interrupted. If the oven door lock is activated, it is impossible to select any cooking function until the door lock is off.
Wait until the door lock is off to use the oven.

To programme the pyrolytic cleaning cycle (delayed start, automatic stop)

If you desire, you can programme the starting and ending time of the pyrolytic cleaning cycle, however, be aware a power failure could cause a temperature increase of the surround or cabinet which could result in a fire.

- Press button \textcircled{i} to switch on the oven. Press the Oven functions button as often as necessary, until the pyrolytic function symbol $\left[\text{Pyro} \right]$ (level 1 - P 1) appears in the display.
Simultaneously the “Pyro” writing and the symbol $\left| - - - \right|$ will flash in the display and an acoustic signal will be emitted. This means that, before activating the pyrolytic cleaning function, you have to remove the shelf supports and all the oven accessories (see instructions given in the previous paragraph).

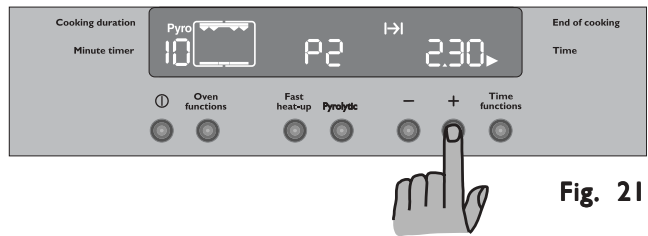


Fig. 21

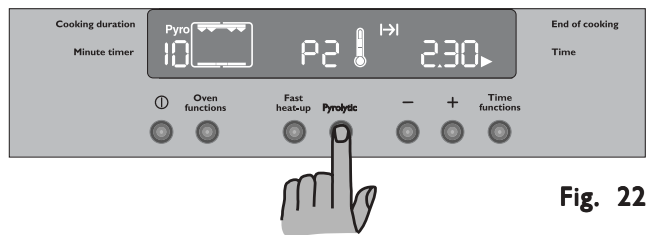


Fig. 22



Fig. 23

- The Cooking Duration symbol $\rightarrow|$ will start flashing; during this time push “-” or “+” buttons to select the pyrolytic 1 (P 1) or pyrolytic 2 (P 2) function.
- Once you have chosen the desired pyrolytic function, the “Pyro” writing will flash in the display waiting for confirmation to start the pyrolytic cleaning function. At this time, push the Time functions button until the “End of Cooking” symbol $\rightarrow|$ and the arrow symbol \blacktriangleright will flash (Fig. 24). The control panel will display the end of the cleaning cycle (that is, the actual time + cooking duration time). Push “-” or “+” buttons to select the required end of cycle time (Fig. 24). After a few seconds, the “Pyro” writing and the symbol $|---|$ will stop flashing, the acoustic signal will stop while the Cooking Duration symbol $\rightarrow|$ will flash until the pyrolytic cleaning cycle starts at the programmed time.
- After some time, the door lock will be activated and the related symbol \hookrightarrow will be displayed.

At the end of the pyrolytic cleaning process, the display shows the time. The oven door is locked.

Once the oven has cooled down, an acoustic signal will be emitted and the door will unlock.

To stop the pyrolytic cleaning cycle at any time, push button \textcircled{i} .

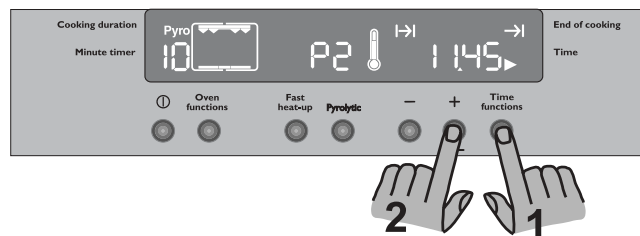


Fig. 24

Replacing the Oven Light

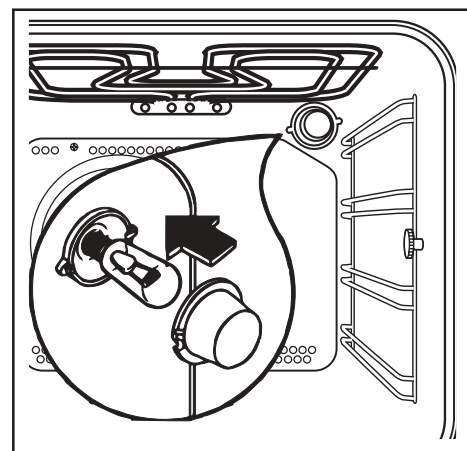
If the oven bulb needs replacing, it must comply with the following specifications:

- Electric power: 40 W,
- Electric rate: 230 V (50 Hz),
- Resistant to temperatures of 300°C,
- Connection type: E14.

These bulbs are available from your local Repair agent.

\hookrightarrow To replace the faulty bulb:

- Ensure the oven is disconnected from the electrical supply.**
- Turn the glass cover anticlockwise.
- Remove the faulty bulb and replace with the new one.
- Refit the glass cover.
- Reconnect to the electrical supply.



Cleaning The Oven Door

The oven door is made up of four glasses. It is possible to remove them for easier cleaning.

⚠ The oven door may bang shut if you try to extract the inner glasses when the oven door is still fitted to the oven.

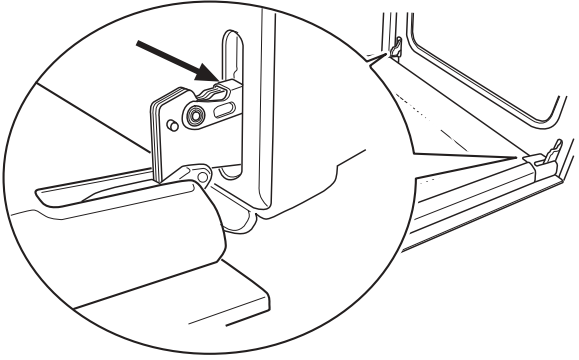
Before cleaning the oven door, we recommend you to remove it from the oven.

Proceed as follows (see pictures in the following pages):

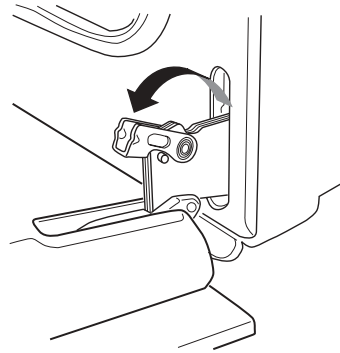
Clean the oven door glass with warm water and a soft cloth only. Never use harsh abrasives as they could damage the special heat-resistant surface of the inner glasses.

Once the cleaning is carried out, refit the oven door, following the procedure in reverse.

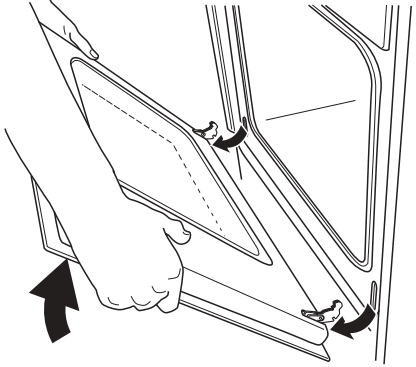
1. open the oven door completely and locate the two hinges which link the door to the oven;



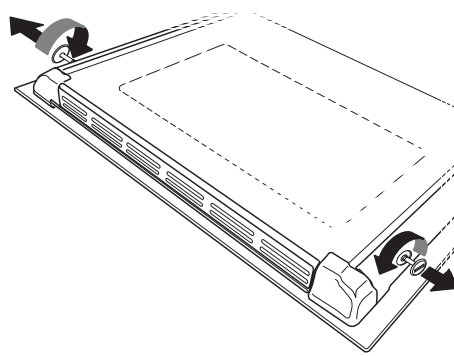
2. unlock and turn the small levers located on the two hinges;



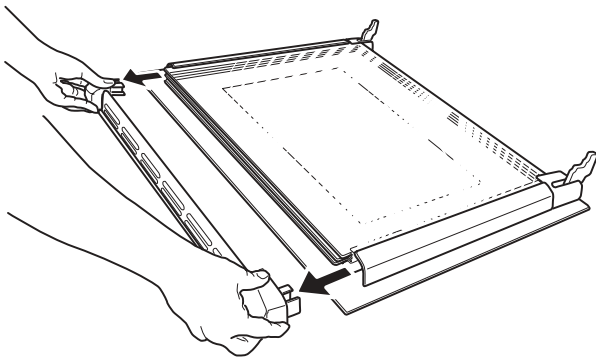
3. handle the door by its left- and right-hand sides, then slowly turn it towards the oven until it is half-closed; at this point, gently pull the oven door away from the oven frame;



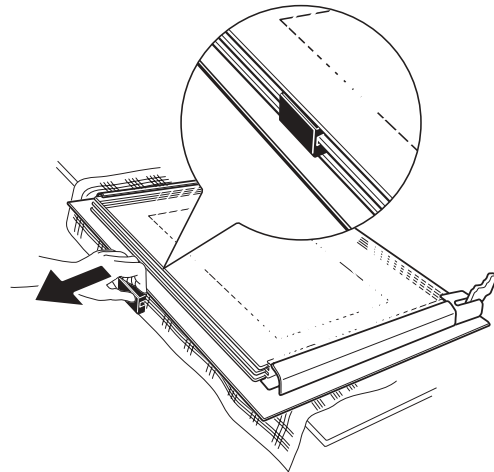
4. place the oven door on a solid surface, being careful to avoid the glass becoming scratched. Then remove the two screws located on the sides of the oven door;



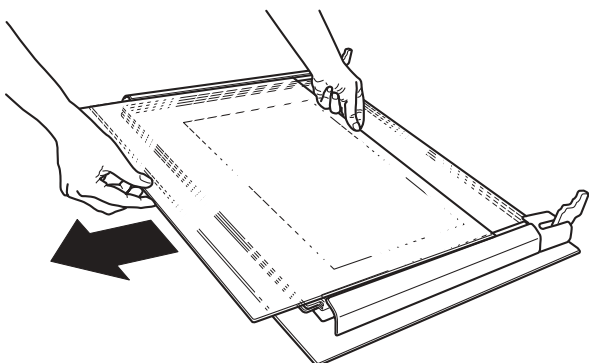
5. extract the inner glass support;



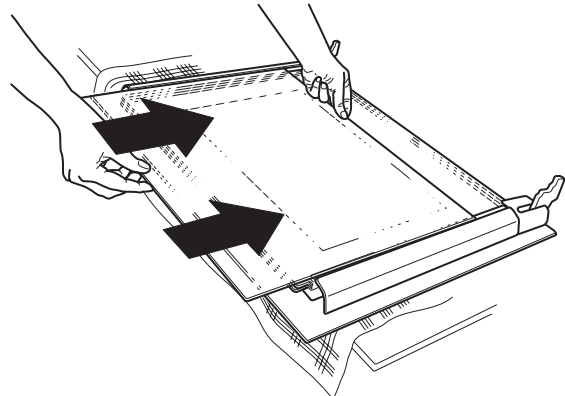
6. before extracting the inner glasses, remove the rubber distance holder as shown in the picture;



7. gently extract the three inner glasses, starting with the uppermost one first.



8. Once the cleaning is carried out, insert the inner glasses in the oven door.



The two glasses in the middle are special glasses that have been treated to resist heat. One is marked with a small dot located on a corner and one with a black frame (Fig. 9).

It is important that, when refitting the oven door, the inner glasses are fixed in the right position.

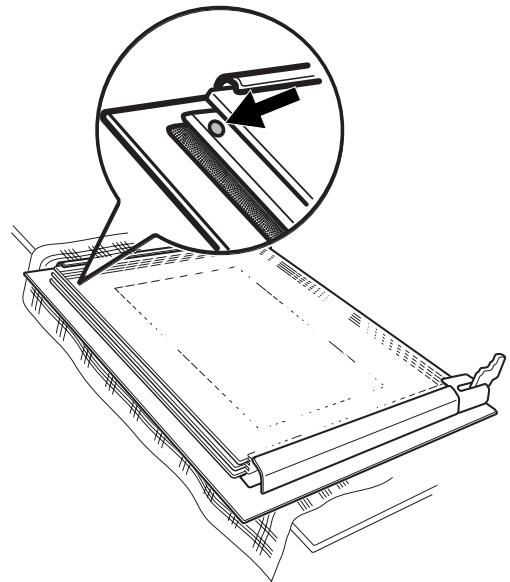
To check if this operation has been carried out correctly, when inserting the glass, make sure that the surface of the glass marked with a black frame looks upwards and that the dots are located on the upper left corner of the glass (see Fig. 9).



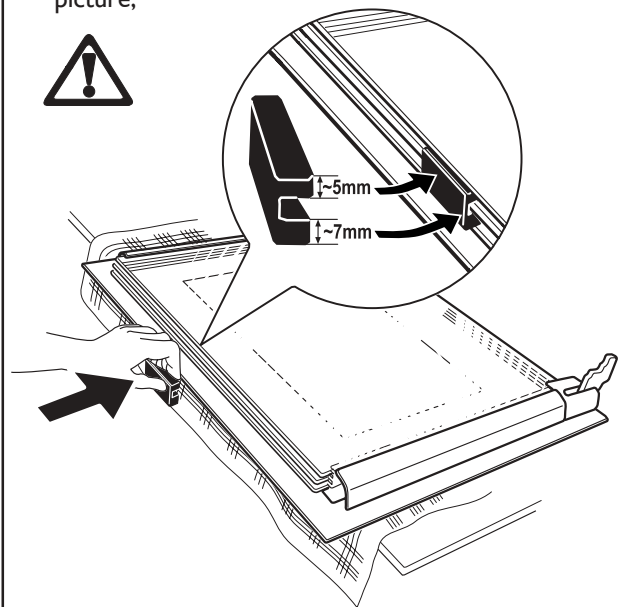
DO NOT clean the oven door while the glass panels are warm. If this precaution is not observed the glass panels may shatter.

If the door glass panels become chipped or have deep scratches, the glasses will be weakened and must be replaced to prevent the possibility of the panel shattering. Contact your local Service Force Centre who will be pleased to advise further.

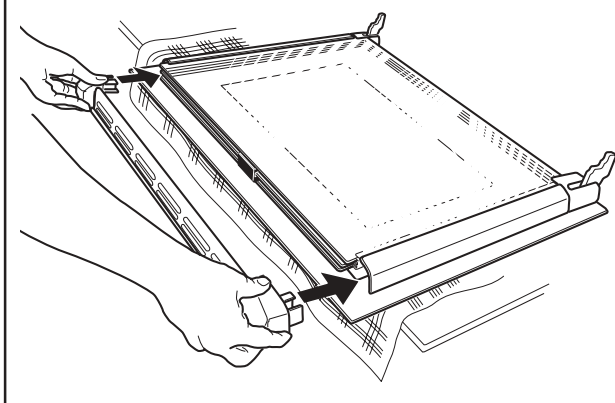
9.



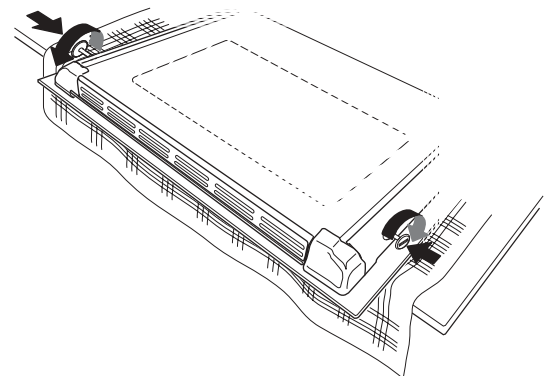
10. as soon as the inner glasses are inserted in the oven door, fix the rubber distance holder as shown in the picture;



11. insert the inner glass support;



12. then, fix the two screws located on the sides of the oven door.



Something not working

If the oven is not working correctly, please carry out the following checks, before contacting your local Repair agent.

IMPORTANT: If you call out an engineer to a fault listed below, or to repair a fault caused by incorrect use or installation, a charge will be made even if the appliance is under guarantee.

SYMPTOM	SOLUTION
<ul style="list-style-type: none"> ■ The oven does not come on. 	<ul style="list-style-type: none"> ◆ Press the OVEN ON button, then select a cooking function. ◆ Check the fuse and ensure the socket switch or the switch from the mains supply to the oven are ON. ◆ Check that the Demo mode has not accidentally been activated. To deactivate it, follow the instructions given in the relevant paragraph.
<ul style="list-style-type: none"> ■ The oven light does not come on. 	<ul style="list-style-type: none"> ◆ Switch on the oven using push button I. ◆ Check the light bulb, and replace it if necessary (see "Replacing the Oven Light").
<ul style="list-style-type: none"> ■ It takes too long to finish the dishes, or they are cooked too fast. 	<ul style="list-style-type: none"> ◆ The temperature may need adjusting. ◆ Refer to the cooking function sections and to any cooking chart provided.
<ul style="list-style-type: none"> ■ Steam and condensation settle on the food and the oven cavity. 	<ul style="list-style-type: none"> ◆ Leave dishes inside the oven no longer than 15-20 minutes after the cooking is completed.
<ul style="list-style-type: none"> ■ The timer does not work. 	<ul style="list-style-type: none"> ◆ Check the instructions for the timer.
<ul style="list-style-type: none"> ■ The oven fan is noisy. 	<ul style="list-style-type: none"> ◆ Check that shelves and bakeware are not vibrating in contact with the oven back panel.
<ul style="list-style-type: none"> ■ An error code (for example, "F" followed by digits) appears on the control panel. 	<ul style="list-style-type: none"> ◆ Take note of the error code and contact an authorised Service Centre.
<ul style="list-style-type: none"> ■ The display shows "12.00". 	<ul style="list-style-type: none"> ◆ Set the time of day (see chapter "To set the correct time of day").

Repairs - After Sales Service

If your oven is not performing satisfactorily; consult the fault finding guide within this instruction book (Something not working - above). In the event of a fault occurring which you cannot resolve yourself from advice given within this instruction manual your first step is to contact our extended warranty administrators on **0870 0107887** who will give you details for your local repair agent.

When contacting the repair agent, please quote the model (Mod.) and serial number (S.N.), both of which are shown on the rating plate located on the side of the oven door (see picture).

So that you always have these numbers at hand, we recommend you to make a note of them here:

Mod. :

PNC :

S.N. :

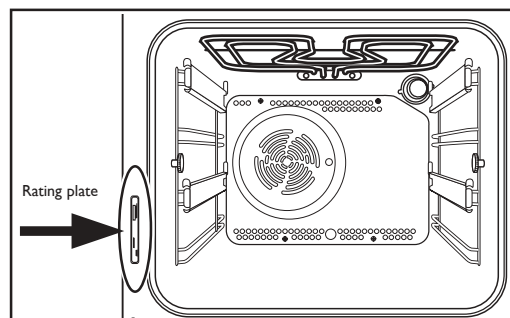
Your oven is covered by a 3 year parts and labour guarantee (see separate details given at point of sales). Please retain your purchase receipt safely for the service engineer to verify the purchase details.

Spare parts

This product should be serviced by an authorised service engineer, and only genuine spare parts should be used. Under no circumstances should you attempt to repair the oven yourself.

Repairs carried out by inexperienced persons may cause injury or serious malfunctioning. Contact our extended warranty administrators on **0870 0107887** who will give you details for your local repair agent.

Always insist on genuine spare parts.



-	ES	DA	DE	EL	EN	FR	IT	NL	PT	SV	FI		
1	Fabricante	Mærke	Hersteller	Προμηθευτής	Manufacturer	Fabricant	Costruttore	Fabrikant	Fabricante	Leverantör	Tavarantoimittaja	John Lewis	
2	Modelo	Model	Modell	Μοντέλο	Model	Modèle	Modello	Model	Modelo	Modell	Malli	JLBIOS603	
3	Clase de eficiencia energética	Relativt energiforbrug	Energieeffizienzklasse	Τάξη ενεργειακής απόδοσης	Energy efficiency class	Classement selon énergie	Classe di efficienza energetica	Energie-efficiëntieklasse	Classe de eficiência energética	Energieeffektivitetsklass	Energiatehokkuusluokka		
4	- Calentamiento convencional	- Traditionel opvarmning	- Konventionelle Beheizung	- Συμβατική	- Conventional	- Convection forcée	- Convezione naturale	- Conventioneel	- Conveccão forçada de ar	- Konventionell värmning	- Ylä-alalämpö		
5	- Convección forzada	- Varmluft	- Um/Heißluft	- Με κυκλοφορία θερμού αέρα	- Forced air convection	- Convection forcée	- Convezione forzata	- Geforceerde luchtconvector	- Conveccão forçada de ar	- Värmning med varmluft	- Kiertoilma		
	Consumo de energía Función de calentamiento:	Energiforbrug Opvarmningsfunktion:	Energieverbrauch Beheizung:	Κατανάλωση ενέργειας Αετιουργία θέρμανσης	Energy consumption Heating function:	Consommation d'énergie Fonction chauffage:	Consumo di energia Funzione di riscaldamento:	Energieverbruik Verhittingsfunctie:	Consumo de energia Função de aquecimento:	Energiförbrukning Värmningsfunktion:	Energiankulutus Kuunnennusta pa:		
6	- Calentamiento convencional	- Traditionel opvarmning	- Konventionelle Beheizung	- Συμβατική	- Conventional	- Classique	- Convezione naturale	- Conventioneel	- Conveccão forçada de ar	- Konventionell värmning	- Ylä-alalämpö	0,79 kWh	
7	- Convección forzada	- Varmluft	- Um/Heißluft	- Με κυκλοφορία θερμού αέρα	- Forced air convection	- Convection forcée	- Convezione forzata	- Geforceerde luchtconvector	- Conveccão forçada de ar	- Värmning med varmluft	- Kiertoilma	0,78 kWh	
8	- Vapor	- Dampf	- Dampf	- Ατμός	- Steam	- Vapeur	- Vapore	- Stoom	- Vapor	- Ånga	- Höyry		
9	Volumen neto (litros)	Nettovolumen (liter)	Nettovolumen (Liter)	Ωφέλιμος όγκος (λίτρα)	Usable volume (litres)	Volume utile (litres)	Volume utile (litri)	Netto volume (liter)	Volume útil Litros	Användbar volym (liter)	Käyttötilavuus (litraa)	53,0	
	●●●● Tipo: - Pequeño - Medio - Grande	Type: - Lille - Mellemstort - Stort	Typ: - Klein - Mittel - Groß	Τύπος: - Μικρός - Μεσαίος - Μεγάλος	Size: - Small - Medium - Large	Type: - Faible volume - Volume moyen - Grand volume	Tipo: - Piccolo - Medio - Grande	Type: - Klein - Middelgroot - Groot	Tipo: - pequeno - médio - grande	Storlek: - Liten - Middelstor - Stor	Koko: - Pieni - Keskipokoinen - Suuri		
	Tiempo de cocción con carga normal:	Tilberedningstid ved standardbelastning:	Kochzeit bei Standardbelastung:	Χρόνος για νησίμο τυποποιημένου φορτίου:	Time to cook standard load:	Temps de cuisson en charge normale:	Tempo necessario per cottura carico normale:	Bereidings-tijd bij standaardbelasting:	Tempo de cozedura da carga-padrão:	Tillagningstid för en standardlast:	Paistoaika vakiokuomalla:		
10	- Calentamiento convencional	- Traditionel opvarmning	- Konventionelle Beheizung	- Συμβατική	- Conventional	- Classique	- Convezione naturale	- Conventioneel	- Conveccão forçada de ar	- Konventionell värmning	- Ylä-alalämpö	43 min.	
11	- Convección forzada	- Varmluft	- Um/Heißluft	- Με κυκλοφορία θερμού αέρα	- Forced air convection	- Convection forcée	- Convezione forzata	- Geforceerde luchtconvector	- Conveccão forçada de ar	- Värmning med varmluft	- Kiertoilma	41 min.	
12	Superficie de la placa de cocción de mayor tamaño	Arealet af den største bageplade	Größe des größten Backblechs	Η μεγαλύτερη επιφάνεια ψησίματος εκραζόμενη	The area of the largest baking sheet	Aire de la surface de la plus grande plaque pour pâtisserie	Superficie del piano di cottura più grande	Oppervlakte van de grootste bakplaat	Área da superfície da maior placa de pastelaria	Ytan för den största bakplåten	Suurimman leivinpellin ala	1130 cm ²	
13	Ruido [dB (A) re 1 pW]	Lydeffektniveau dB (A) (Støj)	Geräusch (dB (A) re 1 pW)	Ξόρυβος [dB (A) ανά 1 pW]	Noise (dB (A) re 1 pW)	Bruit [dB (A) re 1 pW]	Rumore [dB (A) re 1 pW]	Geluidsniveau dB (A) re 1 pW	Nivel de ruído dB (A) re 1 pW	Bullemlivä dB (A)	Ääni (dB (A) re 1 pW)		
	● Más eficiente Lavt forbrug Niedriger Verbrauch Πιο αποδοτικό More efficient Economie	Basal consumi Efficient Mais efficiente Låg förbrukning Vähän kuluttava	Menos eficiente Højt forbrug Hoher Verbrauch Λιότερο αποδοτικό Less efficient Peu economie	Alli consumi Inefficient Menos eficiente Hög förbrukning Pajjon kuluttava				●● 12 l ≤ Volumen neto/Nettovolumen/Ωφέλιμος όγκος/Usable volume/Volume utile/ Netto volume/Volume útil/Användbar volym/Käyttötilavuus < 35 l					
								●●● 35 l ≤ Volumen neto/Nettovolumen/Ωφέλιμος όγκος/Usable volume/Volume utile/ Netto volume/Volume útil/Användbar volym/Käyttötilavuus < 65 l					
								●●●● 65 l ≤ Volumen neto/Nettovolumen/Ωφέλιμος όγκος/Usable volume/Volume utile/ Netto volume/Volume útil/Användbar volym/Käyttötilavuus				2002/40/EC	

John Lewis Partnership

171 Victoria Street

London SW1E 5NN

www.johnlewis.com