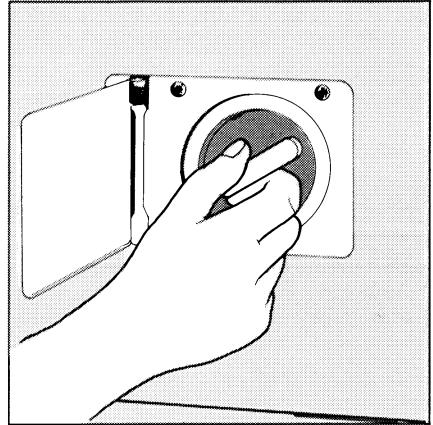
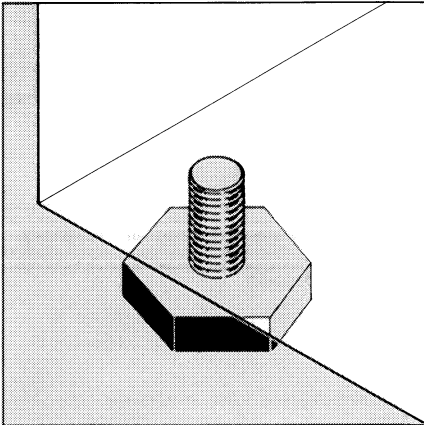
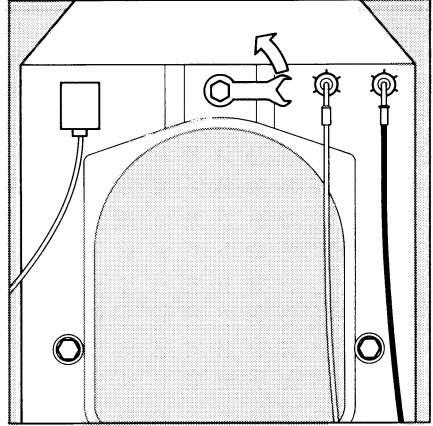
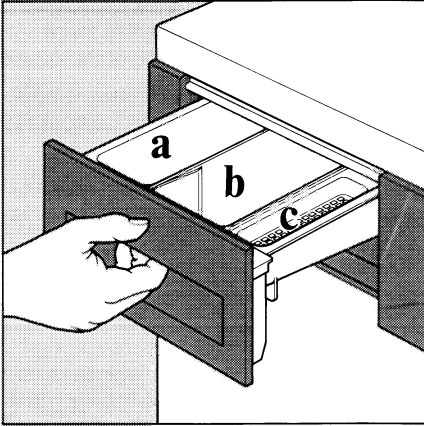


BENDIX

Operating and Installation Instructions



Autowasher De Luxe Model No. 71478



Important User Information

IT IS MOST IMPORTANT THAT THIS INSTRUCTION BOOK SHOULD BE RETAINED WITH THE APPLIANCE FOR FUTURE REFERENCE. SHOULD THE APPLIANCE BE SOLD OR TRANSFERRED TO ANOTHER OWNER, OR SHOULD YOU MOVE HOUSE AND LEAVE THE APPLIANCE, ALWAYS ENSURE THAT THE BOOK IS SUPPLIED WITH THE APPLIANCE IN ORDER THAT THE NEW OWNER CAN BE ACQUAINTED WITH THE FUNCTIONING OF THE APPLIANCE AND THE RELEVANT WARNINGS. PLEASE ENSURE THAT YOU HAVE READ THE WHOLE INSTRUCTION BOOK BEFORE USING THE APPLIANCE AND THAT YOU FOLLOW THE RECOMMENDATIONS GIVEN.

THESE WARNINGS ARE PROVIDED IN THE INTEREST OF SAFETY. YOU MUST READ THEM CAREFULLY BEFORE INSTALLING OR USING THE APPLIANCE.

Warnings – Washing Machines

- This appliance is designed to be operated by adults. Children should not be allowed to tamper with the controls or play with the product.
- It is dangerous to alter the specifications or attempt to modify this product in any way.
- Any electrical work required to install this appliance should be carried out by a qualified or competent person.
- Any plumbing work required to install this appliance should be carried out by a qualified plumber or competent person.
- This product should be serviced by an Authorised Bendix Service Centre, and only genuine Bendix spare parts should be used.
- Care must be taken to ensure that the appliance does not stand on the electrical supply cable.
- Always unplug the appliance and turn off the water after use.
- Do not overload the appliance. See relevant section in instruction book.
- Always look through the glass door to check if water has drained before opening the door. If water is present do not open door before draining the water. If in doubt, refer to your instruction book.
- This appliance is heavy. Care should be taken when moving it.
- All packing and transit bolts must be removed before use. Serious damage can occur to the product and to property if this is not adhered to. See relevant section in instructions.
- The glass door becomes very hot during the washing cycle. Keep children away from the vicinity of the appliance whilst it is in operation.
- Leave the porthole door slightly ajar between washes to preserve the door seal.
- Do not overload the appliance. See relevant section in instruction book.
- Only wash fabrics which are designed to be machine washed. If in doubt, consult the manufacturer of that item.
- Before washing, ensure that all pockets are empty and buttons and zips are fastened. Avoid washing frayed or torn

articles and treat stains such as paint, ink, rust, and grass before washing. Underwired bras must not be machine washed.

- Any objects such as coins, safety pins, nails, screws, stones or any other hard, sharp material can cause extensive damage and must not be placed into the appliance.
- Garments which are saturated with petroleum products should not be machine washed. If volatile cleaning fluids are used, care should be taken to ensure that the fluid is removed from the garment before placing in the machine.
- Wash small items such as socks, laces, washable belts etc in a washing bag or pillow case as it is possible for such items to slip down between the tub and the inner drum.

- Only use the advised quantities of fabric softener. Damage to the fabric can ensue if you over-fill. Refer to the manufacturers' recommendations of quantities.

- Pets have been known to climb into washing machines. Please check your drum before use.

- Under no circumstances should you attempt to repair the machine yourself. Repairs carried out by inexperienced persons may cause injury or more serious malfunctioning. Contact your local Bendix Service Centre. Always insist on genuine Bendix spare parts.

Bendix Premiere Card

The serial number of your machine is located on the inside drain screen door.

Contents

Page

Specifications 3

Installation 3-6

The electrical connections 7

Getting to know your machine..... 8-9

Using your machine 10-11

Energetic wash cycle 12

Gentle wash cycle..... 13

Looking after your machine 14-15

Helpful tips for successful washing 16-17

Servicing..... 18

Customer service centres 19

Specifications

Dimensions:

| | |
|---------------------------|----------------------|
| Height | 85 cms (33.5 ins) |
| Width | 60 cms (23.6 ins) |
| Depth | 55 cms (22.7 ins) |
| Weight | 80 kg (176 lb) |
| Capacity | 4.5 kg (10 lb) |
| Revolutions per minute | 400/800 |
| Power Absorbed | 2730 W |
| Heater Rating | 2300 W |

Motor Rating

| | |
|-----------|-----------|
| Wash | 430 W |
| Spin | 450/650 W |
| Voltage | 220/240 V |
| Frequency | 50 Hz |

Water Load

| | |
|--------|-----------------------|
| Normal | 2.9 gals 13 litres |
| High | 4.4 gals 20 litres |
| Half | 2.4 gals 11 litres |

Pressure psi

| | |
|----------------|-----|
| Maximum | 110 |
| Minimum (hot) | 4 |
| Minimum (cold) | 7 |

Installation

Unpacking

Having removed the outer carton, reinforcing angles, and polythene wrapping, you must take out the internal packing which protected the appliance's "works" during transit.

1 Using the plastic spanner provided, remove the three large bolts from the back of the machine to free the washing drum (Fig. 1).

2 Each bolt leaves behind a plastic spacer inside the machine, this should be worked loose by inserting a screwdriver into the bolt hole, and allowing it to drop to the bottom of the machine.

3 Lay the machine on its back to reveal two pieces of polythene bands in the base (Fig. 2).

First pull band A, on left hand side then pull band B on the right hand side to withdraw the remaining internal packing, taking care not to catch and damage any of the appliance's internal components in the process.

4 Finally, lift the appliance off the polystyrene base packing and remove the plastic spacers you worked loose earlier. These spacers, together with the three large bolts and other internal packing should be kept in a safe place so they can be used if the machine has to be transported again.

Positioning and levelling

To keep vibration, noise and movement to a minimum, it is essential that the machine is absolutely level. Check this with the aid of a spirit level when the machine is in its permanent operating

position. Any adjustments needed can be made by using the open end of the spanner supplied to raise or lower the two adjustable feet at the front of the machine – you merely screw them up or down (Fig. 3).

Some vibration is inevitable, especially if mounted on a wooden floor.

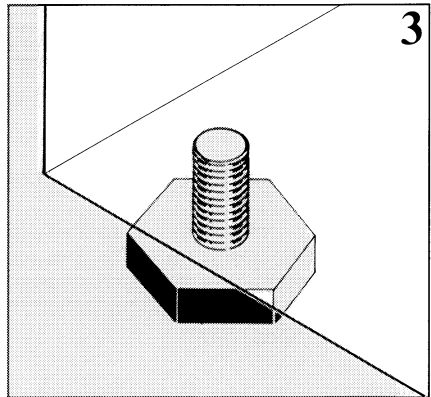
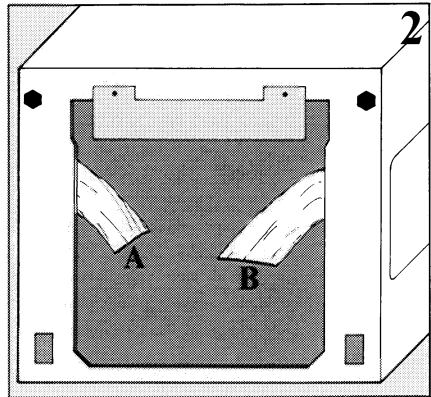
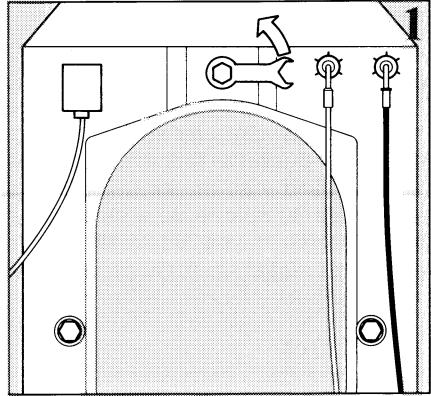
The plumbing connections

In order to make your new Bendix washing machine as convenient to use as possible it has been designed to use as permanently plumbed-in to your home's water supply and drainage system. However, if this is not possible it may be connected to suitable existing taps, with the drain hose discharging into a sink.

Tap connections

For $\frac{3}{4}$ " diameter gas thread tap connectors simply attach to $\frac{3}{4}$ " diameter inlet hoses on the machine. For any other diameter you will have to get special adaptors, either from a plumber or a good hardware store, to accept the couplings on the machine's inlet hoses. The inlets in the back of the machine are colour coded: red for hot, blue for cold. Before operating the machine, be sure to connect the hose to the hot inlet to the hot tap, and the hose to the cold inlet to the cold tap.

Also remember to fit the inlet mesh filters supplied to the top of each hose.



Plumbing in

Several firms now offer kits enabling you to plumb-in a washing machine yourself. Provided your home's plumbing is relatively modern, and you are reasonably handy and careful to follow the instructions supplied with the kit to the letter, you should be able to do a satisfactory job. However, if you are at all unsure about your ability to carry out the work correctly, don't take risks with your new machine – get a qualified plumber to do the job for you.

Additional hints for connection of water inlet hose

If the water supply in your area is hard it is possible that the filters situated in the fill valves can become blocked with sand or limestone deposits and in extreme cases this can cause a breakdown of the fill valves ie. no water fill or continuous filling.

We would suggest that you install supplementary strainers which should be fitted on the fill hoses of your machine. For information about the availability of these supplementary strainers you should contact your local plumber.

Plumbing technicalities

In addition to complying with the wishes of the Water Authority and Building Control Officer, there are a few other technicalities you must bear in mind if your new machine is to work properly.

1 The machine must be given a separate hot and cold water supply. You should not connect it to a mixer tap, or to a single outlet water heater. If only a cold water supply is available connect the two hoses to a cold water outlet by means of a "Y" connection piece.

2 A certain amount of water pressure is needed for the machine to fill with reasonable speed. If you cannot make the cold water connection direct to the rising main – and many water authorities will object if you do – check that the height between the machine's inlet and the bottom of the cold water storage cistern is at least 4.25m (14 ft). As for the hot water storage cylinder, you will have sufficient pressure if the height between the machine's inlet and the bottom of the cold water storage cistern (not between machine and hot water cylinder, as many people think) is at least 2.4m (8 ft). If there is not sufficient cold water or hot water pressure, you may still be able to operate the machine successfully by removing the small restrictor contained in the hot or cold water inlets to the machine. To get at this, simply disconnect the water supply hose from the inlet, pull out the inlet's mesh filter to gain access to the restrictor which can be removed with the aid of a pair of thin nosed pliers.

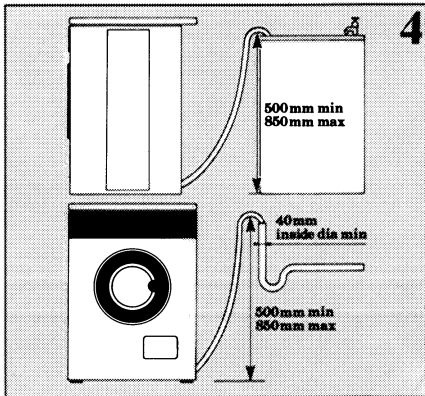
3 If you intend the drain hose from the machine to empty into a sink, make sure the sink is empty and that the plug hole is not blocked.

4 Where the machine is permanently plumbed in, it is best to hook the end of the hose into a drainpipe installed for the purpose. It should have an internal diameter of at least 38mm (1½ inches) thus leaving an air gap between hose and pipe, and should be designed in such a way that the water level within it never covers the end of the hose.

Important: Before connecting up the machine to new pipework or to pipework that has not been used for some time, run off a reasonable amount of water to flush out any debris that may have collected in the pipes.

5 Whether discharging into a sink or a drainpipe check that the end of the drain hose is neither too high nor too low. The top of the curve in the hose's end should be no more than 85cm (34 inches) and no less than 50cm (20 inches) above floor level (Fig. 4).

6 Finally, make sure that with the machine in position, the drain hose is not obstructed, blocked or bent so sharply that water cannot flow freely.



The electrical connections

WARNING:

THIS APPLIANCE MUST BE EARTHED

The manufacturer declines any liability should this safety measure not be observed.

If the plug that is fitted to your appliance is not suitable for your socket outlet, it must be cut off and the appropriate plug fitted.

The cut off plug should be disposed of to prevent the hazard of electric shocks in case it should be plugged into a 13 Amp socket in another part of your home.

Important

The wires in this mains lead are coloured in accordance with the following code:
GREEN AND YELLOW - EARTH
BLUE - NEUTRAL
BROWN - LIVE

If you fit your own plug, the colours of the wires in the mains lead of your appliance may not correspond with the markings identifying the terminals in your plug, this is what you have to do:

Connect the green and yellow (earth) wire to the terminal in the plug which is marked with the letter "E" or the earth \perp symbol or coloured green, or green and yellow.

Connect the blue (neutral) wire to the terminal in the plug which is marked with the letter "N" or coloured black.

Connect the brown (live) wire to the terminal which is marked with the letter "L" or coloured red.

The plug moulded on to the cord incorporates a fuse. For replacement, use

a 13 Amp BS 1362 fuse. Only ASTA approved fuses should be used.

The fuse cover/carrier must be replaced in the event of changing fuse.

The right fuse cover/carrier colour is the one shown by the coloured insert at the base of the plug.

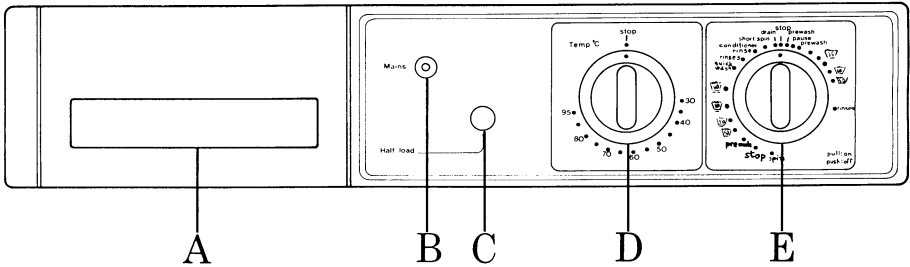
The plug must not be used if the fuse cover/carrier is lost. A replacement cover/carrier must be obtained from Bendix Service Agents whose addresses are listed on the attached list.

This appliance complies with E.E.C. directive no.82/499 of 7.6.82 relative to radio interference suppression.

Getting to know your machine

The controls and how to use them

- A. Detergent dispenser
- B. Pilot light
- C. Half load button
- D. Temperature control
- E. Programme control and on/off control



A. Detergent dispenser

The dispenser has three compartments: two for detergent (**a** and **b**) and one for fabric conditioner (**c**), (see Fig. 5 page 10). The fabric conditioner compartment is fitted with a removable filter. To open the dispenser, pull the handle, which is at the lower half, gently.

B. Pilot light

The pilot light comes on when the machine is set to start.

C. Half load button

By pressing this before selecting a wash programme the intake of water is reduced. This is useful if you want to wash half loads, 2kg (4½lb) instead of the usual 4.5kg (10lb) of cotton or linen items.

By reducing the water consumption you will use less electricity.

The half load programme is not suitable for synthetic or mixed fabrics, delicate articles or wool. These fabrics all need a high water level to avoid creasing.

D. Temperature selection control

This control is used to select the wash temperature according to the programme which has been selected. The programme charts from page 12 to 13 show the most appropriate temperature for each type of wash.

Adjustable temperature also makes it possible, for both cotton and synthetic washes, to wash at lower temperatures than suggested or to wash in cold water. For the latter, the thermostat control should be set at STOP.



The washing programme

The washing machine has 10 programmes and 8 additional programmes such as “rinse” or “spin only” (see charts pages 12/13). Each washing programme is designed for a specific type of fabric, for example cotton, nylon mixed fabrics such as polycotton, etc.


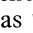
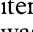
They follow the International Textile Care Labelling Code (ITCLC) which is used for wash labels on garments and household linen as well as on washing powder packets. This makes it simple to choose the right programme for the fabric you are washing.

The Energetic wash cycles for robust fabrics are completely automatic taking the clothes through washing, rinsing, spinning and draining.

The Gentle wash cycles are for minimum iron, drip dry and delicate fabrics. The machine stops after the last rinse before the water draining and spinning. The clothes are left suspended in water to prevent them becoming creased by remaining in the bottom of the wash tub in a damp state after spinning. To complete the cycle, turn the programme selector dial to cycle, for water draining followed by a short spin, or to cycle for drain only if you are washing drip dry articles.

Using your machine

Sorting the wash

Sort the clothes and household linens according to fabric, colour fastness and degree of soiling, following the charts on pages 12/13. Check with the wash care label sewn to the garment or article; this should have a number in a wash tub symbol which corresponds with the number shown in the charts. For example, if your sheets have a label with  number 1 in the wash tub you can choose either programme or depending on whether the articles are lightly or heavily soiled. If the garment has no label, choose the appropriate programme for the fabric. If you are uncertain what fabric this is, always choose one of the Gentle wash cycles such as  or . Be cautious with coloured items unless they are labelled colourfast, wash them separately by hand, or use the programme for non-fast coloureds.

For the best results wash a full load.
4.5kg (10lb) of cottons
1.5-2kg (3-5lb) synthetics
1kg (2lb) machine washable woollens.
Until you are familiar with the size of a full load, weigh the articles on the kitchen or bathroom scales. Try to mix large and small items in each load. If you cannot make up a full load of similar items (eg cotton sheets and towels) make up a load of any polycotton and cotton items, and use one of the lower temperature washes (50°C).

Remember, however, that white cotton and linen should be washed at higher temperatures (95°C) every third wash to keep them a good colour. The half load programme is also useful, if you cannot make up a full load of cottons and linens.

Loading the clothes

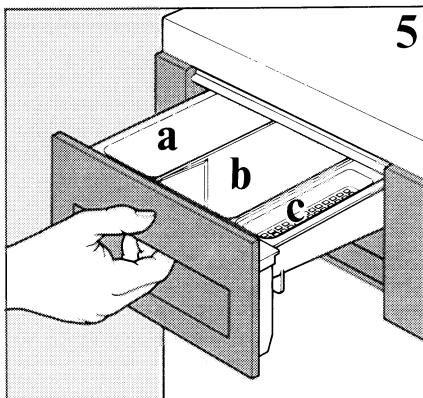
Open the drum loading door by pulling the catch forward. Put the sorted clothes into the drum one by one, shaking them out first. Alternate large and small items. **Be sure all pockets are empty, buttons and zips fastened. Avoid washing frayed or torn articles, and treat stains such as paint, ink, rust and grass before washing.** (See pages 16 and 17). Once the machine is loaded close the door firmly. Then put the washing powder and conditioner (if required) into the dispenser.

Choosing the right washing powder

Always use a low lather powder. This is important as too much lather prevents the articles from tumbling freely and being properly cleansed. **Persil Automatic** is specially designed to complement the cleaning action of the machine.

Filling with washing powder

The washing powder dispenser has three compartments (Fig. 5). Compartment "a" is for the prewash powder, "b" for the main wash powder, and "c" for fabric conditioner. The same wash powder can be used for the pre and main wash cycles.



Pull out the dispenser and add the measured amount of powder, following the directions on the wash powder packet (see also Table which follows). Be sure to use enough powder – this is essential to get the clothes really clean. Once the dispenser is filled, close it by pushing it in gently. This is particularly important if you are using fabric conditioner because if the drawer is slammed it will cause the conditioner to enter the machine prematurely.

For information regarding the degrees of hardness of water in your area, ask the local Water Authority.

Amount of wash powder in grammes for a full load

| Hardness | Pre-wash | Main wash following pre-wash | Main wash |
|-----------|------------|------------------------------|------------|
| Soft | 20 | 85 | 95 |
| Average | 60 | 135 | 160 |
| Hard | 90 | 185 | 230 |
| Very hard | 125 | 235 | 270 |

For half loads use about $\frac{3}{4}$ of quantity.

To allow use of liquid detergents, instead of powder, special dispensers are available.

These accessories are obtainable on request.

Using fabric conditioners

When you want to use a conditioner, put the measured amount (follow manufacturers' instructions) into compartment "c" in the washing powder dispenser at the same time as you put in the washing powder. **Be careful not to fill the compartment above the level of the filter.** The conditioner will be automatically used by the machine at the appropriate time. Remember to close the drawer (Fig. 5) gently.

To start the machine

Check that:

- the main switch is on;
- the door is properly closed;
- the water is turned on.

Select the programme required by turning the programme selector dial clockwise to the required programme. Pull out the knob. The pilot light will then come on and the machine will start. The machine will automatically carry out all the operations up to the end of the chosen programme. Then it will stop.

If, after the start of a programme, you find you have selected the wrong one, push the selector knob in to stop the machine. Then turn the dial clockwise to the correct positions and pull the knob out to restart the washing cycle.

At the end of the programme push the knob in to switch the machine off.

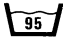



Unloading the clothes

The drum door remains automatically locked for 1-2 minutes after the machine has been switched off. You can then open the door and unload the machine. **If you have been using a Gentle wash cycle do not forget to set the machine to drain the water.**

Energetic wash cycle

For cotton, linen and viscose (rayon) fabrics

Recommended wash load: 4.5kg (10lb) max

| Wash cycle Position of programme and temperature selector | Dispenser compartments | | Wash cycle description and fabric guide |
|--|------------------------|---------------------------------|--|
| | a washing powder | b c fabric conditioner | |
| Prewash only | a | | Cottons and linens. Prewash (15 mins) in water at 40°C (normal level) followed by a soaking phase - the laundry is left soaking in the water. To drain the water, turn the programme knob to cycle drain with a gentle spin or drain only |
| Whites – heavy soil Prewash and  | a b | c | White cottons and linens without special finishes. Prewash in water at 40°C (normal level). Main wash in water at 95°C (normal level). 4 cold water rinses (high level). Spinning. |
| Whites  | b | c | White cottons and linens without special finishes. Main wash at 95°C (normal level). 4 cold water rinses (high level). Spinning. |
| Fast Coloureds  | b | c | Cottons, linens and viscose. Main wash in water at 60°C (normal level). 4 cold water rinses (high level). Spinning. |
| Non-fast Coloureds  | b | c | Cottons, linens and viscose. Main wash in water at 40°C (normal level). 4 cold water rinses (high level). Spinning. |
| Rinses | | c | Cottons, linens and viscose. 4 cold water rinses (high level). Spinning. |
| * Spin only | | | Spinning for about 6 minutes with simultaneous water draining. This is preceded by slow rotations of the drum. |

*It is important when selecting this programme that the selector dial is accurately lined up with "Spin only". This is because the spin cycle has to be preceded by a slow drum rotation to enable spin start up.

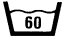
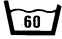




Water filling 30°/40°/50°C programmes – cold water filling
60°C programmes – hot and cold filling 95°C programmes – hot water filling only.

†If your machine has been converted for cold fill only please ensure that for the 90°C and 60°C temperature programmes the programme selector is set to the dot preceding the symbol. This will ensure a correct wash temperature.

Gentle wash cycle

For delicates, synthetics including acrylics, acetates, triacetates, machine-washable woollens and synthetics mixed with polyester and wool.

**Recommended wash load: 1.5-2kg (3-5lb);
wool max: 1kg (2lb)**

| Wash cycle Position of programme and temperature selector | Dispenser compartments | | Wash cycle description and fabric guide |
|--|------------------------|----------------------------|---|
| | a washing powder | c fabric conditioner | |
| Whites – heavy soil Prewash and  | a b | c | White nylon and polyester/cotton mixtures. Prewash in water at 40°C (normal level). Main wash in water at 60°C (high level). 3 cold water rinses (high level). |
| Whites  | b | c | White nylon and polyester/cotton mixtures. Main wash in water at 60°C (high level). 3 cold water rinses (high level). |
| Minimum Iron  | b | c | Coloured synthetics and mixed fabrics. Main wash in water at 50°C (high level). 3 cold water rinses (high level). |
| Delicates  | b | c | Acrylics, acetates, triacetates and wool mixtures. Main wash in water at 40°C (high level). 3 cold water rinses (high level). |
| Woollens   | b | c | Machine washable woollens and mixtures with cotton or viscose; blankets. Main wash in water at 40°C (high level). 3 cold water rinses (high level). |
| Quick-wash | b | c | Delicates, lightly soiled. Main wash in water at 30°C (high level). 3 cold water rinses (high level). |
| Rinses | | c | 3 cold water rinses (high level). |
| Conditioner rinse | | c | Intake of water mixed with liquid additive (high level). |
| Short spin only | | | Water draining followed by a short spin at 400 r.p.m. |
| Drain | | | Water draining. |

Note: There is no water draining after the last rinse of the Gentle wash cycles. This prevents the clothes from creasing if they are left in the machine at the end of the wash cycle.

The clothes are held suspended in water until you turn the selector dial to "spin" when the water will be drained and the clothes will be given a gentle spin. Or the selector dial can be turned to "drain" when the water will drain away without spinning.

Warning: Do not open the machine door until one of the draining programmes has been completed. If you do, there will be a flood.



Looking after your machine

Important: Make sure that the machine is unplugged and the water taps turned off before undertaking any kind of maintenance.


General care and cleaning

After each wash leave the door ajar for about two hours, to allow air to circulate freely inside the drum.

Wipe round the rubber door seal to remove the water which collects in it.

From time to time clean plated, polished and plastic parts and the glass porthole door with a soft damp cloth. Never use abrasive powders.

Wipe over the exterior cabinet with a lukewarm solution of a mild liquid cleaner, rinse and dry thoroughly. From time to time, apply a little wax furniture cream with a soft cloth.

If the washer has been out of use for a long time, carry out a complete cycle  without washing a load, adding 25g (1oz) Calgon water softener to the detergent dispenser instead of wash powder. This will remove any deposits from the machine.

Cleaning the drain filter

(see diagram)

This is only necessary if some object such as a safety pin or pebble, or excess fluff, blocks the drain and obstructs the normal flow of water. If you have to clean it, detach the drain hose from its hanger at the back of the appliance and place the free end in a basin at floor level to collect any excess water. Place a small bowl on the floor under the exposed filter to catch any water.

Unscrew and pull out the filter (Fig. 6-7)

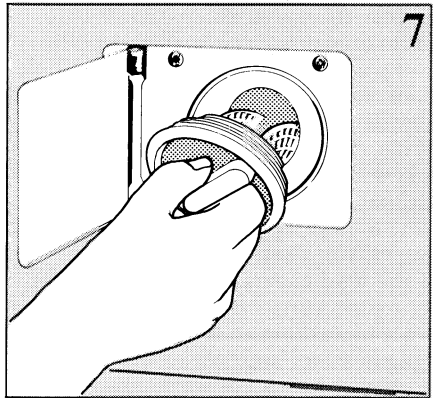
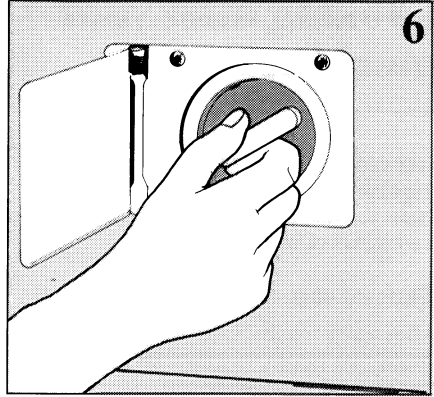
Underneath the filter there is a small extractable gutter which makes it easier to collect any residual water that might flow out when the filter is removed. Remove any object or fluff and replace the filter.

Cleaning the inlet filters

These are situated at the back of the machine and should be inspected from time to time. Unscrew the hoses and remove the mesh filter lodged just inside the hose. Run them under a fast running tap to remove any sediment. Replace the wire filters and hoses firmly.

Cleaning the washing powder dispenser

Wipe it out after every wash. From time to time it will need more thorough cleaning to clear out all the deposit. Remove the drawer completely with a sharp pull outwards. When you replace it, if you find that it doesn't slide right in again give it a sharp tap with the palm of your hand.



Helpful tips for successful washing

Here are some practical hints to help you get the best washing results.

Don't overload the machine. The clothes will not move around freely and the washing powder may not dissolve properly.

Always use a low lather washing powder specially made for front loading machines. Excessive foaming gives an unsatisfactory wash and may even harm the machine. The quantity of washing powder required depends on the amount of laundry and how soiled it is. It may therefore be necessary to vary the quantities suggested on page 11. You will be able to tell if you need to do this when you are used to the machine.

Don't put washing powder into the dispenser until just before starting a programme. If the powder is left for any length of time in the dispenser it may form lumps which are difficult to dissolve.

For best results do not wash more than 1kg (2lb) of woollen articles at a time. Wash only woollen articles marked "machine washable".

For best results do not wash more than 1.5-2kg (3-5lb) of synthetic fabrics in one load. Synthetic fabrics need plenty of room to move around or they tend to crease.

Clothes should be sorted according to the fabric, colour fastness and degree of soiling (see page 10).

Mend open seams and tears before washing.

Close zips, secure buttons. Collect laces, washable belts, etc and put them in a bag for washing.

Empty pockets. **(This is important as should a coin become lodged between the tub and drum it can cause extensive damage).** See final paragraph page 18.

Remove spots of rust, paint, ink and grass stains before washing (see instructions page 17 and this page, 16).

Don't wash light coloured fabrics with dark ones. One may leave specks of fluff on the other.

Don't risk washing coloured articles unless you are sure they are colourfast. It's worth hand washing the article to find out.

If you live in a hard water district, you can add water softening powder to the washing machine in compartment "b". For the quantity of water softener to use, see packet directions.

Stain removal

Some stains will not be removed in the wash. It is wise to treat them before laundering.

The following are simple but effective treatments to use on any washable fabric. Treat the stain as soon as possible and launder afterwards to remove any residual stain.

Ballpoint and felt-tip ink

Dab with methylated spirit on cotton wool (not on acetate or triacetate fabric).

Fountain pen ink

Sponge with cold water to flush out as much ink as possible, or hold the fabric under running cold water. Launder and treat any remaining stains with lemon juice.



Grass stains

Dab with methylated spirit (not on acetate or triacetate). Rinse in clear water.

Oil

If heavy stains from cycle or car oil do not come out in the wash, treat them with a proprietary grease solvent.

Paint

Emulsion: Sponge immediately with cold water and then launder. If the stain has dried, soften it with methylated spirit or a proprietary paint brush cleaner. (Test an inconspicuous corner of the fabric first).

Gloss: Dab with methylated spirit or proprietary paint brush cleaner. (Test fabric first).

Rust (iron mould)

Rub with lemon juice and then sprinkle salt over the stain and leave for an hour. If subsequent washing does not remove the stain, use a proprietary rust cleaner following the manufacturer's directions.

Servicing

If, having followed these instructions carefully, your machine fails to work properly, contact your local Bendix Service Network. Before you do that though, it is worth making a few simple checks yourself.

If the machine won't start

- Ensure that the programme control knob on the machine is pulled out into the "on" position.
- Make sure that the door of the machine is firmly shut.
- Make sure that the appliance is properly plugged in and that the socket switch (if any) is in the "on" position.
- Check that there is power at the socket by plugging in an appliance you know to be working – a small lamp, for example. If this too fails to work, check the main circuit fuses in your home's consumer unit or main fuse box.

If the machine won't fill

- Make sure the supply hoses are not sharply bent.
- Make sure taps and stop-cocks are turned on.
- Check that there is sufficient water pressure.

If the machine won't drain or spin

- Check that the drain hose is not bent, blocked, or obstructed in some other way.
- Check that the drain collector in the machine is not clogged.

If the machine empties as it fills

- Make sure the end of the drain hose is not less than 50cm (20 inches) above floor level.

If the machine vibrates badly, or is too noisy

- Check that the machine is absolutely level.
- Check that there is sufficient clearance between the machine and wall, furniture, etc.
- Check that all the internal packing, plastic spacers and transit security bolts have been removed as described at the start of these instructions.

Failure to observe these checks could result in your being charged for the service call when requested.

| Service Centre | Postcode areas covered | Telephone | Address |
|---------------------------|--|--------------|---|
| ALDERSHOT | GU KT RG RH | 0252 24505 | Tricity Bendix Service Hippodrome House, Birchett Road, Aldershot, GU11 1LU |
| BRIGHTON | BN | 0273 694341 | Tricity Bendix Service 31 Bristol Gardens, Kempdown, Brighton, BN2 5JR |
| BRISTOL | BA BS SN | 0272 211876 | Tricity Bendix Service 3 Waring House, Redcliffe Hill, Bristol BS1 6TB |
| CARDIFF | CF HR LD NP SA | 0222 460131 | Tricity Bendix Service Guardian Industrial Estate, Clydesmuir Road, Tremorfa, Cardiff, CF2 2QS |
| NEWTON ABBOT | EX PL TA TQ TR | 0626 65909 | Tricity Bendix Service 2nd Floor, (7), Bridge House, Courtenay Street, Newton Abbot, TG 12 2QS |
| OXFORD | GL HP NN OX SL | 0993 4411 | Tricity Bendix Service Suite 3, Windrush Court, 56A High Street, Witney OX8 6B |
| PORTSMOUTH | BH DT PO SO SP | 0705 667411 | Tricity Bendix Service Limberline Road, Hilsea, Portsmouth, PO3 5JJ |
| TONBRIDGE | CT DA ME TN | 0732 357722 | Tricity Bendix Service 61-63 High Street, Tonbridge, TN10 3RY |
| CANVEY ISLAND | RM CM SS CO IG | 0268 694144 | Tricity Bendix Service 2-4 Sandhurst, Kings Road, Canvey Island, SS8 0QY |
| LONDON (NORTH) | E EC WC N NW E EN SW1 SW3 SW5 SW6 SW7 SW10 | 01 443 3464 | Tricity Bendix Service Duck Lees Lane, Brimsdown Industrial Estate, Enfield, Middlesex, EN3 7 XD |
| LONDON (SOUTH) | SE SM CR BR SW2 SW4 SW8 SW9 SW11-20 | 01 658 9069 | Tricity Bendix Service 127 Croydon Road, Beckenham, Kent |
| LONDON (WEST) | WD HA UB TW | 01 965 9699 | Tricity Bendix Service 842 Coronation Road, Park Royal, London NW10 |
| LUTON | AL CB LU MK SG | 0582 575966 | Tricity Bendix Service 101 Oakley Road, Luton LU4 9QQ |
| NORWICH | IP NR PE | 0603 667017 | Tricity Bendix Service 1 Malthouse Lane, Norwich, Norfolk |
| ABERDEEN | DD IV KW AB PH | 0224 695761 | Tricity Bendix Service 8 Cornhill Arcade, Cornhill Drive, Aberdeen, AB2 5UT |
| BELFAST | BT | 0232 740296 | Tricity Bendix Service Unit C3, Edenderry Industrial Estate, 326 Crumlin Road, Belfast |
| BIRMINGHAM | WR DY B WV TF ST WS | 021 358 7076 | Tricity Bendix Service 8 Lammermoor Ave, Great Barr, Birmingham, B43 6ET |
| EDINBURGH | KY EH TD FK | 031 229 1232 | Tricity Bendix Service 4 Lochrin Place, Tollcross, Edinburgh, EH3 9QY |
| GATESHEAD | CA DL DH NE SR TS | 091 460 0440 | Tricity Bendix Service Suite 3, Saltwell House, Lobley Hill Road, Gateshead, NE8 4DD |
| GLASGOW | DG KA ML G PA | 041 647 4381 | Tricity Bendix Service 20 Cunningham Road, Clyde Estate, Rutherglen, Glasgow, G73 1PP |
| LEEDS | S DN HU YO WF HX HD LS HG BD | 0532 608511 | Tricity Bendix Service 64-66 Cross Gates Road, Leeds, LS15 7NN |
| LEICESTER | LE DE CV NG LN | 0533 515141 | Tricity Bendix Service 10-12 Buckminster Road, Leicester LE3 9AR |
| LIVERPOOL (ELUX ONLY) | CW CH LL SY L WA WN PR FY LA | 051 220 8014 | Tricity Bendix Service 1 Honeys Precinct, Honeys Green Lane, Liverpool, L12 9JR |
| MANCHESTER (ELUX ONLY) | SK M BL OL BB | 061 330 5081 | Tricity Bendix Service 88 Bury Old Road, Whitefield, Manchester |
| MANCHESTER (TRICITY ONLY) | SK M BL OL BB | 061 330 5081 | Tricity Bendix Service Ashton Street, Duckinfield, Manchester SK16 4RN |



Tricity Domestic Appliances Limited.



