

Einbau-Flachschirm- Dunstabzugshaube

DFS 630/DFS 60 P 2

**Build-In
Flat-Screen
Fume Extractor
Hood**

Instructions for
Installation and Use

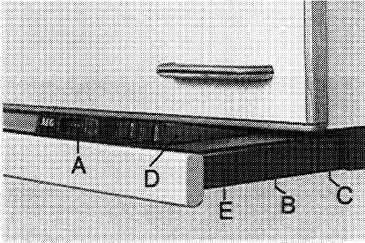
AEG

It is essential to read these Instructions for Use and keep them in a safe place!

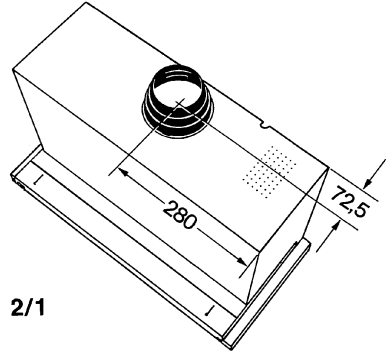


Contents

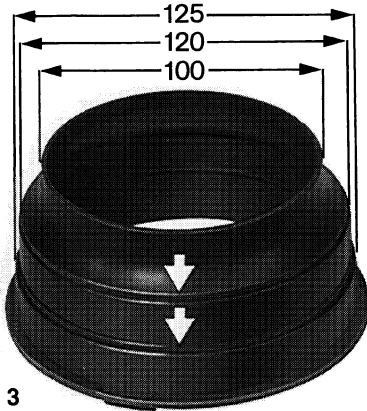
Illustration pages (please unfold)	3-6	Prior to installation	19/20
Equipment	16	Operation of fume extractor hood	21
Technical data/Accessories and installation materials	16/17	Maintenance and care	22/23
Electrical installation	17	Cleaning	23
Instructions for the user	18	Special accessories	24
		Faults	24



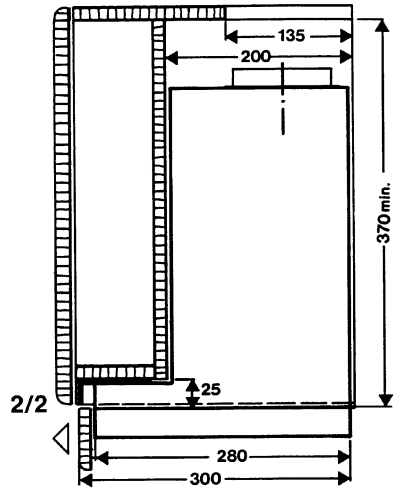
1



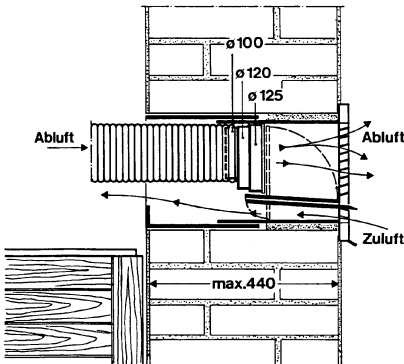
2/1



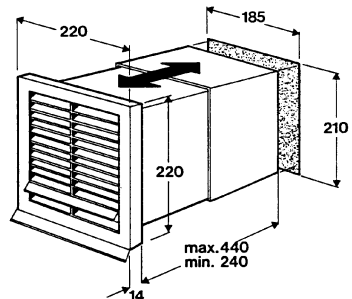
3



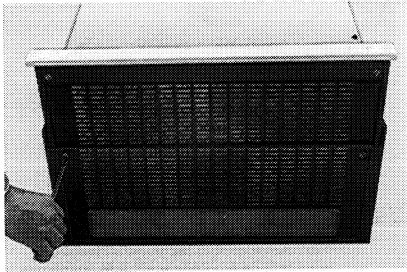
2/2



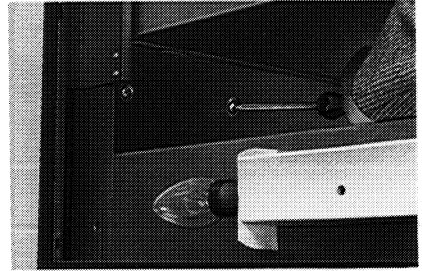
4



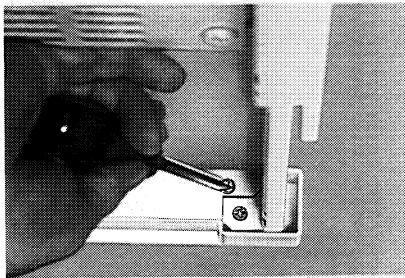
3



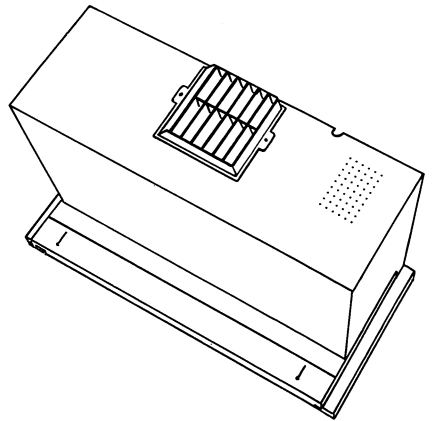
5



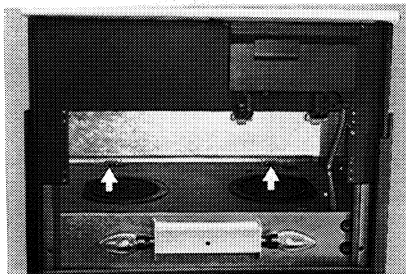
6



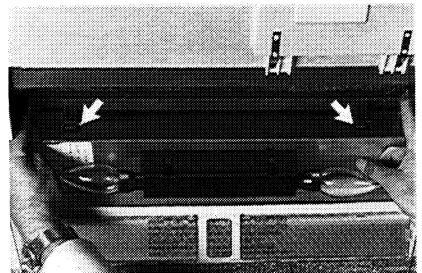
7



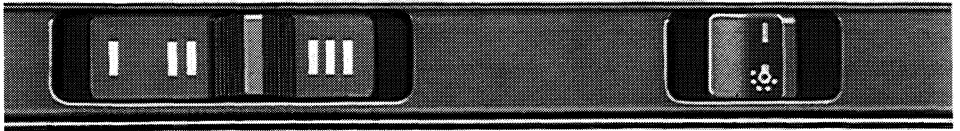
8



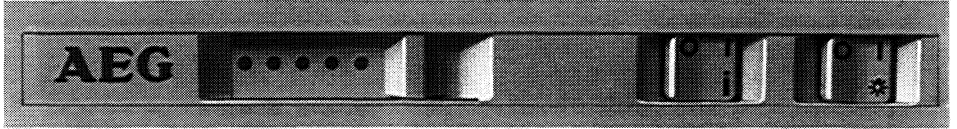
9



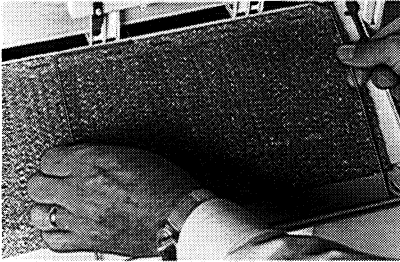
10



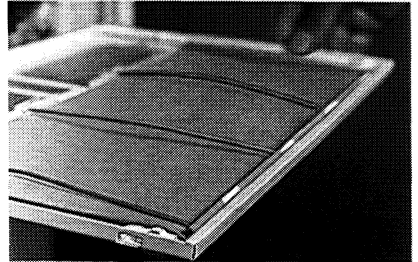
11



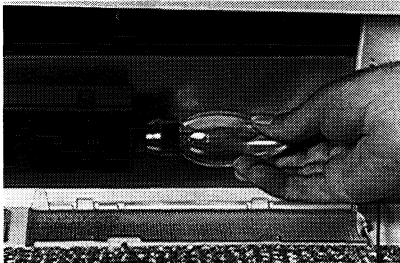
12



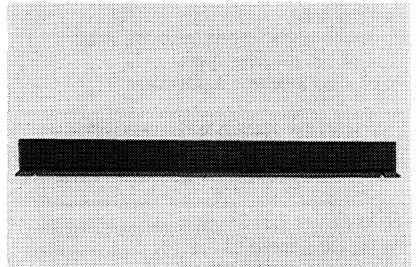
13/1



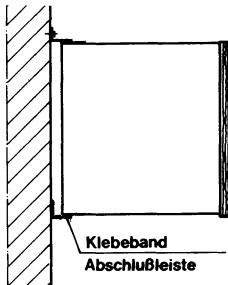
13/2



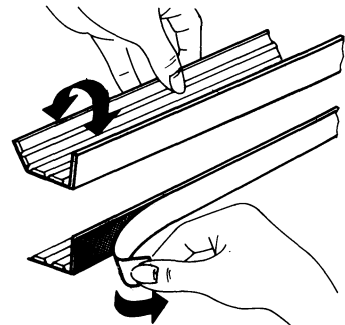
14

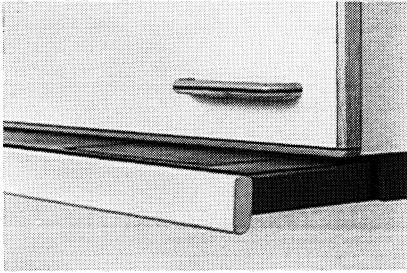


15/1

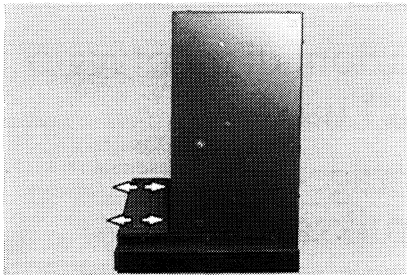


15/2

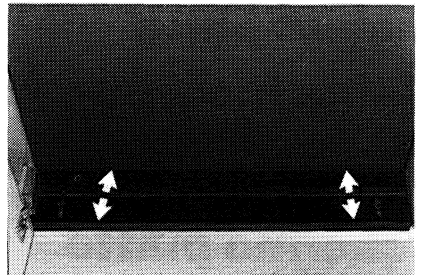




16



17/1



17/2



18

Operation of fume extractor hood

Appliance description (Fig. 1)

- A** = Switch
- B** = Filter grille (grease filter)
- C** = Lighting
- D** = Automatically folding-down control panel
- E** = Extractor part

The fume extractor hood is switched on and regulated via the different switch elements on the appliance control panel (**Fig. 1/D**).

General

The fume extractor hood is supplied as an exhaust air appliance and may be used as a return air appliance through application of an active carbon filter (**special accessory**).

For this purpose, you need active carbon filter E-No. 610 899 460 (special accessory). For installation sequence, see page 20.

Technical data

Dimensions:

Height/width/depth (mm)
397 x 598 x 275 without screen

Weight:

Net: 13 kg

Connection

220 V~ via fixed supply lead with protective contact plug (Europa version).

240 V~ via fixed supply lead (UK).

(Fixed connection to be made only by approved electrical installer.)

Connected load (DFS 630/DFS 60 P 2)

Total connected load: 210/290 W

Fan motor: 85/170 W

Lighting: 2 x 60 W max.

Sockets for E 14 candle lamps

Technical data

Fan outputs (settings) to DIN 44971

DFS 60 P 2	Continuously variable		Intensive
Exhaust air:	150 m ³ /h–330 m ³ /h		450 m ³ /h
Return air:	140 m ³ /h–260 m ³ /h		330 m ³ /h
DFS 630	Setting 1	Setting 2	Setting 3
Exhaust air:	150 m ³ /h	220 m ³ /h	300 m ³ /h
Return air:	140 m ³ /h	190 m ³ /h	250 m ³ /h

Exhaust air system 120 mm dia.

Air outlet:

Above (Fig. 2/1)

Pipe connection stepped from 100 to 120 mm dia. or 125 mm dia. and provided with preset breaking point (Fig. 3/arrow) for exhaust air hoses of 100 and 120 mm dia. or 125 mm dia.

Accessories/installation materials

- | | |
|---------------------------------------------------------------|--------------------------------------------|
| 1 Drilling template for side mounting | 4 Spacers for 16 mm side parts (furniture) |
| 1 Drilling template for light screen | 1 Air outlet grille |
| 4 4 mm dia. chipboard screws for mounting in overhead cabinet | 1 exhaust air connection-piece |
-

Electrical installation

Arrangement of the protective contact plug socket directly above the fume extractor hood or above the overhead cabinet confers two advantages:

- 1. The plug socket is not visible.**
- 2. You can easily de-energize the appliance where necessary by unplugging it.**

For the necessary fixed connection, the fume extractor hood may be connected only by an electrical installer registered with the competent electricity supply company. An isolating device is to be provided on the fixed wiring side. **Switches with a contact opening of more than 3 mm apply as isolating device.** These include LS switches, fuses, and contactors (VDE 0730, s. 7, Part 1).

Important instructions for the user

During installation of the fume extractor hood, the following minimum distances from the **cooker plate to the underside of the fume extractor hood** are to be complied with:

above electric cookers 465 mm; above gas, oil-fired, and coal-fired cookers 650 mm.

It must be ensured **that open flame hobs are always covered so that the filter mats are not damaged** by excessive heat liberation. **During deep-frying over a cooker, the appliance used for deep-frying must also be supervised during operation.** The oil contained in the deep-frying appliance may spontaneously ignite through overheating. If contaminated oil is used, spontaneous ignition may occur even more readily. It should be noted that overheating may cause a fire.

Flambé-cooking under the fume extractor hood is not allowed.

During all work on the fume extractor hood, also during lamp change, the appliance is to be de-energized.

Installation

Application as exhaust air appliance (Preparation/instructions)

If the kitchen fume is run out into the open air through the external wall, you need a **telescopic wall box (E-No. 610 899 004, special accessory) (Fig. 4).**

Dimensions and position of air outlet opening (see Fig. 2/1).

For wall box/fume extractor hood connection, it is best to use non-flammable exhaust air hose E-No. 610 899 007 (120 mm dia.) from our range of special accessories.

We further recommend flame-retardant materials, such as KA piping or flat ducting.

The exhaust air connection-piece has a theoretical opening of 100, 120, or 125 mm dia.

This can be used to fit exhaust air hoses optionally of 100, 120, or 125 mm dia.

For 100 mm dia., fit directly with hose clamp.

For 120 mm dia., cut the exhaust air connection-piece (**Fig. 3**) at the **preset breaking point** (a sharp knife is sufficient).

Prior to installation

Important:

The exhaust air may not be introduced into a smoke flue or exhaust gas chimney. Introduction of the exhaust air into a shaft used for ventilation of the installation spaces of firerooms is not permitted.

If the exhaust air is introduced into a nonoperational smoke flue or exhaust gas chimney, it is advisable to seek the consent of the competent chimney-sweep. The official exhaust air guidance regulations are basically to be complied with.

During operation as an exhaust air appliance, an adequate supply air opening of approximately the same size as the exhaust air opening is to be ensured. During exhaust air operation of the fume extractor hood and simultaneous operation of chimney-dependent firerooms, adequate supply air must be ensured. Consideration must be given to the fact that fume extractor hood efficiency will be impaired by such large supply air openings.

Mounting in furniture surround

The fume extractor hood is factory-supplied for commissioning in upward exhaust air mode (Fig. 2/1).

Prior to installation of the fume extractor hood, a hole is to be cut out as per template in the ceiling of the overhead cabinet for the 135 mm dia. exhaust air hose (Fig. 2/2) apart from the drillholes for mounting.

The furniture surround must have a minimum body depth (without door) of 300 mm with recessed light screen and min. 280 mm with flush-mounted light screen. Unobstructed internal height must be at least 380 mm.

Mounting of fume extractor hood in furniture surround (exhaust air operation)

1. Apply drilling template to inside wall of furniture surround on RH and LH sides, and mark out and drill mounting holes.
2. Unscrew the ventilation grille (Fig. 8) mounted on the appliance (2 screws), apply the exhaust air connection-piece prepared to the required exhaust air diameter, and twist it to the right to its fullest extent.
3. Fully withdraw extractor part of build-in fume extractor hood (Fig. 1/E).
4. Unlock grease filter grille (Fig. 1/B) by twisting locking bolts (Fig. 5), loosen rear mounting, and withdraw forwards.
5. For 19 mm side walls of furniture body, mount appliance with 4 accompanying screws (Fig. 6).
6. For 16 mm side walls of furniture body, mount appliance with 4 accompanying spacers to compensate and mount with 4 4 mm screws.
7. Refit grease filter grille (Fig. 1/B) and fix with locking bolts.
8. Insert extractor part (Fig. 1/E).

Prior to installation

9. Wall end strip at rear (**Fig. 15/1**). On overhead cabinets with more than 300 mm body depth, the gap against the wall must be covered with the wall end strip provided. To fit the strip, proceed as follows (**Fig. 15/2**).

Measure the wall distance and apply the end strip to the necessary width (wall distance plus 5 to 8 mm) by kinking the

end strip at the appropriate notch and tearing off the superfluous material. Detach protective foil.

Apply the supplied adhesive tape to the lower side of the rear wall. The end strip is now mounted in the wall by the shorter limb, the longer limb being applied to the lower side of the appliance. Please press on firmly.

Incorporation of a spice rack

If a spice rack is to be incorporated in front of the build-in fume extractor hood, a minimum distance of 5 mm must be provided between front edge of fume extractor hood and between spice rack wall. (It is imperative to ensure that there is such an air gap for air circulation.)

The upper part of the spice rack rear wall should be detachable (access for exhaust air hose or adjustment of furniture surround). To assure visual compensation between appliance and furniture body, the cover panel (**Fig. 17/1** and **Fig. 17/2**) can be matched to the furniture body depth.

Installation of light screen (furniture part)

1. Remove filter grille (**Fig. 1/B**).
 2. Remove from part of extractor part by loosening 5 screws (**Fig. 7**).
 3. Predrill and mount light screen (furniture part) as per template.
-

Application as return air appliance (Preparation/instructions)

1. Cut out a 13 mm dia. hole in the ceiling of the furniture surround (**Fig. 2/2**).
2. Depending on surrounding cabinet height, you need, for return air operation, the supplied pipe connection-piece or, additionally, a non-flammable pipe piece (100 or 120 mm dia.) as far as the surround ceiling/overhead cabinet.
3. Build in fume extractor hood as described under exhaust air operation.
4. Screw the detached ventilation grille (**Fig. 8**) on to the surrounding cabinet ceiling. From the ventilation grille, the air must be able to flow back unimpeded into the room. If screening is provided as far as the ceiling, make an appropriate opening in the screen.
5. Fix active carbon filter **KFS E-No. 610 899 460 (special accessory)** above in both hooks (**Fig. 9/arrow**) and clip in below (**Fig. 10/arrow**).
6. Re-insert filter grille.
7. Insert extractor part.
8. Wall end strip (**Fig. 15/1**). Fit as described under exhaust air.

The fume extractor hood is now ready to operate in return air mode!

Operation of fume extractor hood

Appliance description:

(Fig. 5 and Fig. 6)

The individual numbers and symbols have the following meanings (from right to left):

DFS 630 (Fig. 11)



= Lighting On/Off



= Setting 1



= Setting 2



= Setting 3

DFS 60 P 2 (Fig. 12)



= Lighting On/Off



= Intensive setting



= Continuously variable output control

On the DFS, the blower is controlled by shifting the sliding switch.

The extractor part of the build-in fume extractor hood can be used to switch the lighting and blower on and off when the appliance is switched on (fan motor, lighting).

When the extractor part of the appliance is withdrawn (without preceding disengagement of the build-in fume extractor hood via the switch elements), first the lighting and then the set fan output are automatically re-engaged.

If the extractor part is re-inserted without operation of the switches, first the blower and then the lighting of the appliance are switched off.

The control panel (Fig. 1/D) automatically folds down when the extractor part is withdrawn (in operating position) and, when it is re-inserted (around 2 cm), back in again (Fig. 16). The door of the furniture cabinet can thereby also be opened in operating position.

The build-in fume extractor hood is to be switched on before cooking begins and allowed to run on around 15 minutes after cooking is completed!

Maintenance and care

Replacement of grease filter (DFS 630)

The grease filter with external white stripes (indicator stripes) incorporated in the appliance is replaced by a new filter paper when the white stripes are no longer visible and the replacement instruction “**Please change ET-No.**” comes through in red.

To replace the filter, proceed as follows:

1. De-energize appliance. Fully withdraw extractor part.
2. Unlock grease filter grille (**Fig. 1/B**) by shifting locking bolts (**Fig. 5**), tilt down, loosen rear mounting by slight pressure, and withdraw forwards.
3. Laterally compress holding frame (**Fig. 13/1**) to centre at front and rear and pull out upwards.
4. Remove filter.
5. Clean grease filter grille with lukewarm soap-suds and dry.
6. Fold new trimmed (cutting plan accompanies filter mat – special accessory) filter paper around 10 mm at front (**Fig. 13/2**), slide folded part at front into edge of panel, and insert with white stripes facing outwards. (Ensure allround smooth bearing!)
7. Engage holding frame (**Fig. 13/1**) first at left and then at right in grease filter grille.

The grease filter can also be changed on the appliance with the grease filter folded down.

Change or clean metal grease filter on DFS 60 P 2

(On the DFS 630, you can use a washable metal filter (special accessory, see page 24) instead of the fleece grease filter.)

The metal filter should be removed around every 6–8 weeks and cleaned in the dishwasher!

To dismantle and re-assemble, proceed as follows:

1. De-energize appliance. Fully withdraw extractor part.
2. Open grease filter grille (**Fig. 1/B**) by twisting locking bolts (**Fig. 5**).
3. Remove grease filter grille with metal grease filter.
4. Press forward holding frame (**Fig. 13/1**) on both lugs projecting rearwards and remove upwards.
5. After cleaning, refit in reverse sequence.

Maintenance and care

Replacement of active carbon filter (instructions)

The active carbon filter must be changed not later than after 1 year. The active carbon filter cannot be washed or regenerated.

Good deodorization is conditional upon a suitable active carbon volume and specific arrangement of the active carbon filter in your fume extractor hood.

This combination ensures reduced return air supply in contrast to exhaust air operation. A decisive factor affecting deodorization is what is known as the dwell time of the aspirated air in the active carbon filter.

This dwell time can only be achieved with the AEG Original Active Carbon Filter (see Special accessories on page 24).

To change the active carbon filter, proceed as follows:

1. De-energize appliance.
Unlock and remove filter grille (Fig. 1/B) by shifting locking bolts (Fig. 5).
2. Remove old active carbon filter (lift and pull out downwards) and insert new active carbon filter.
3. Insert filter grille and lock with locking bolts (Fig. 5).

The fume extractor hood is now ready to operate in return air mode!

Light bulb change

Before changing light bulbs, de-energize the appliance.

1. Unlock rear filter grille (Fig. 1/B) by shifting locking bolts (Fig. 5) and tilt down.
2. Unscrew defective candle lamp and replace with new one (Fig. 14).
3. Close grease filter.

Important: Use max. 60 W candle lamps, E 14 socket!

You can change the light bulbs yourself!

Cleaning

Clean the external parts with a mild washing-up liquid suds. Never use abrasive detergents, brushes, or scouring powders. Clean the switch screen and fume screen only with a damp cloth and mild washing-up liquid.

Failure to observe the cleaning instructions may cause the risk of fire!

Important! To clean the fume extractor hood, de-energize the appliance (e. g. pull out mains plug). Never introduce pointed objects into the protective grille of the motor.

Special accessories

Active carbon filter KFS	E-No. 610899460
Grease filter with saturation indicator (only for DFS 630 2 sheets to be trimmed)	E-No. 610899112
Wall box MK 10/15	E-No. 610899004
Exhaust air hose 100 mm dia., aluminium	E-No. 610899005
Exhaust air hose 120 mm dia., aluminium	E-No. 610899007
Metal grease filter MFS (DFS 60 P 2/DFS 630)	E-No. 610899465

Faults

In case of any enquiries and faults, please call our after-sales service (see service centre list).

When calling, please state the following:

1. The model designation
2. The E-No.
3. The F-No.

You will find these data on the nameplate after opening the filter grille on the LH inside of the fume extractor hood.

The manufacturer reserves the right to make alterations in design and colour in the interests of technical development without prior notice.

This appliance complies with the radio interference suppression requirements of EEC Guidelines 76/889 EEC and 82/499 EEC.

Bitte geben Sie unserem Kundendienst folgende Angaben bei einer Störung an:

If your appliance has a fault, please contact our service engineer
and state the following numbers:

Veillez donner ces indications au service après-vente lors d'une panne éventuelle:

Comunicare al nostro servizio tecnico assistenza clienti i seguenti dati:

Geef onze klantendienst het volgende bij een storing op:

E-Nr. 610

F-Nr.

TNR 211987

H 261 235 100 – 0886/01 –

Änderungen vorbehalten

Subject to alterations and improvements in design without prior notice

Sous réserve de modifications

Ci riserviamo il diritto di effettuare modifiche

Wijzigingen voorbehouden

GA 1020/10.86/Re

AEG